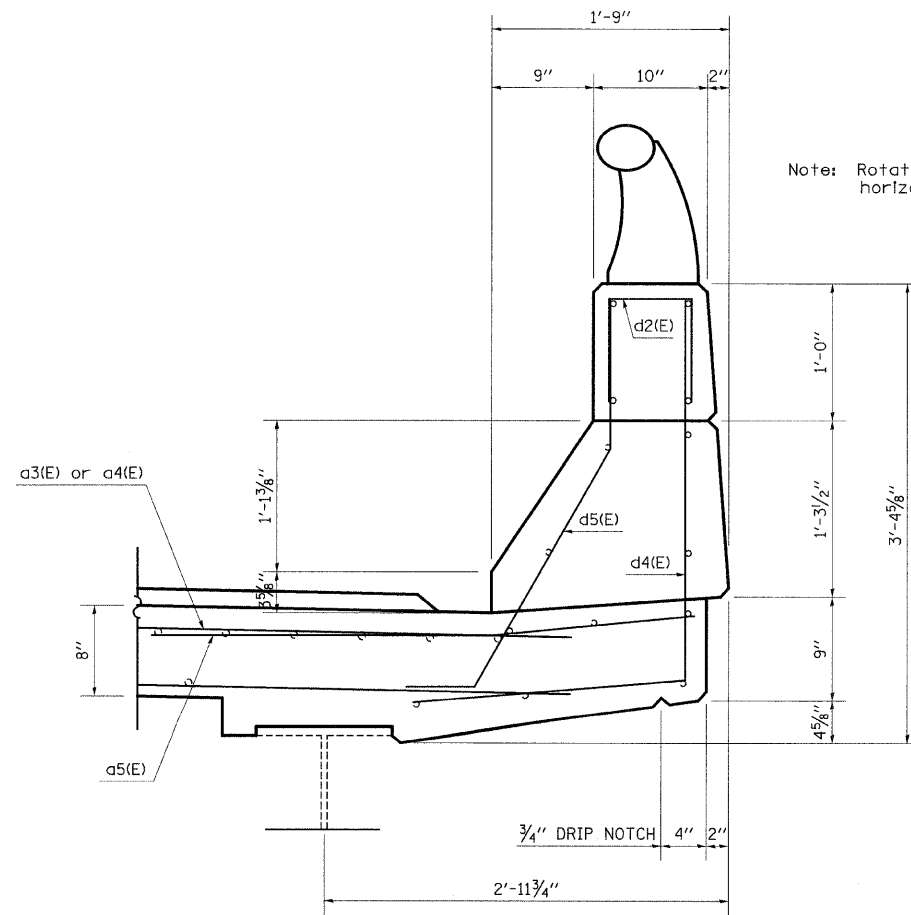


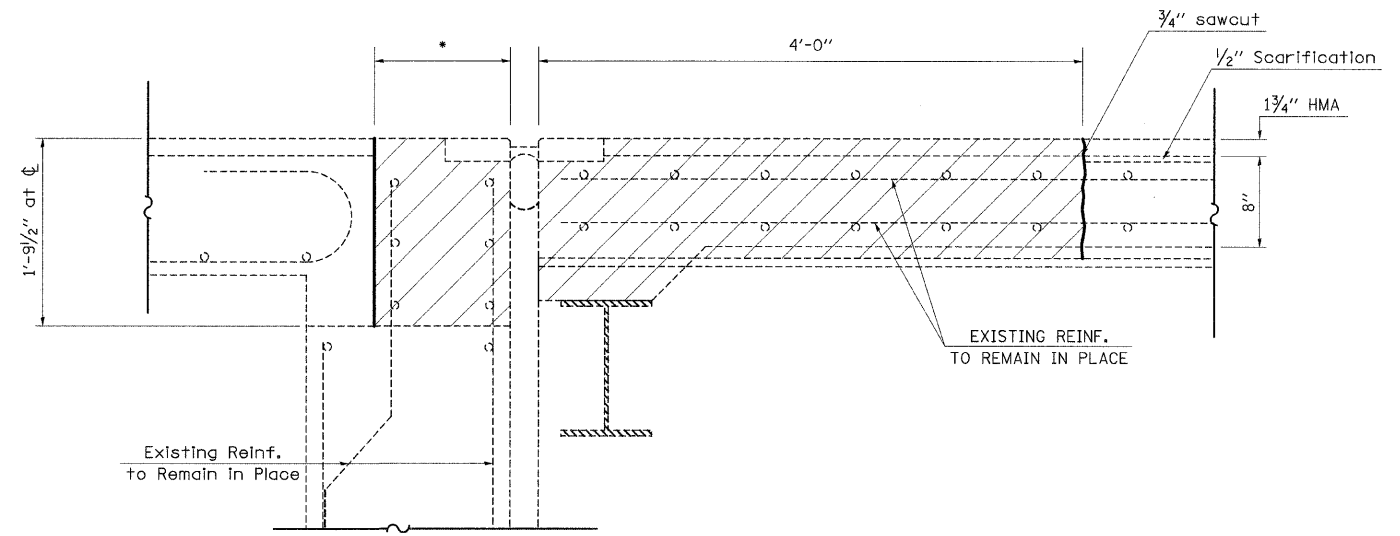
WINGWALL DETAIL



Note: Rotate d4(E) and d5(E) bars in parapet to fit horizontal legs in concrete pour.

SECTION THRU PARAPET

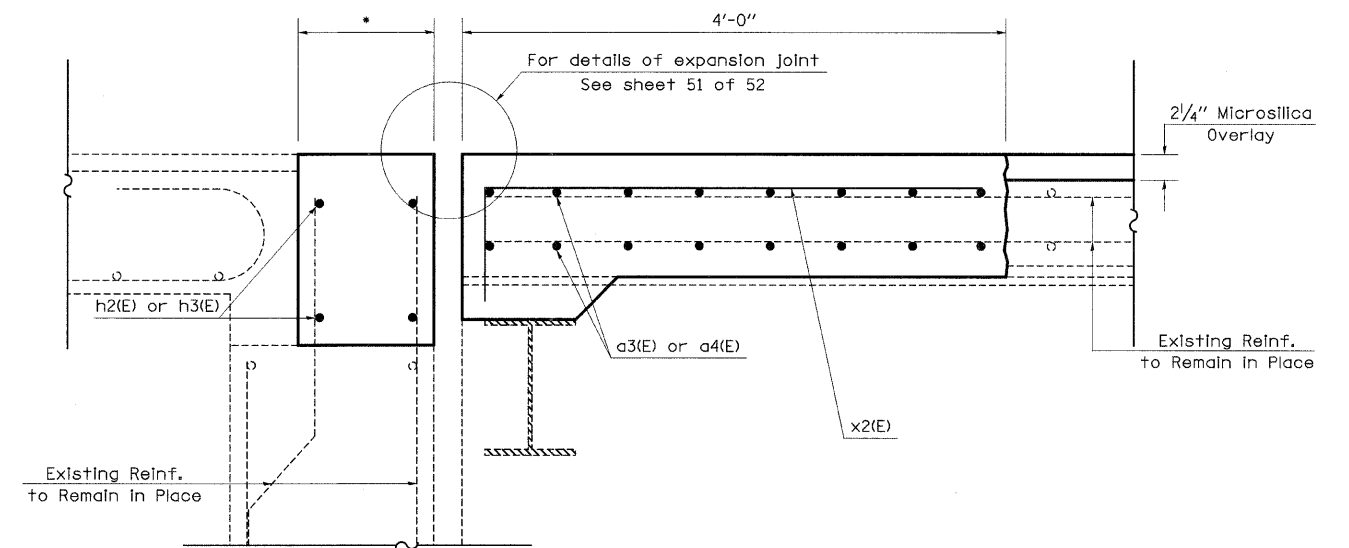
- 058-0096(WB) East Abut. 15"
- 058-0096(WB) West Abut. 14"
- 058-0095(EB) West Abut. 13"
- 058-0095(EB) East Abut. 12"



SECTION A-A

(Dimensions at RT L's to end of deck)

- Existing Reinforcement
- Proposed Reinforcement



SECTION B-B

(Dimensions at RT L's to end of deck)

FILE NAME =	USER NAME = swartzrw	DESIGNED -	REVISED -
c:\pwork\pwwid\SWARTZRW\dms37779\k...	enbridge.dgn	DRAWN -	REVISED -
	PLOT SCALE = 20.0000' / IN.	CHECKED -	REVISED -
	PLOT DATE = 9/28/2009	DATE -	REVISED -

**STATE OF ILLINOIS
DEPARTMENT OF TRANSPORTATION**

**ABUTMENT EXPANSION JOINT REPLACEMENT DETAILS
SN 058-0095 (EB) & SN 058-0096 (WB)**

SCALE: N/A SHEET NO. 7 OF 21 SHEETS STA. TO STA.

F.A.I. RTE.	SECTION	COUNTY	TOTAL SHEETS	SHEET NO.
72	66(B,HVB,HB-1)BR	MACON	83	51
CONTRACT NO. 74343				
FED. ROAD DIST. NO. ILLINOIS FED. AID PROJECT				