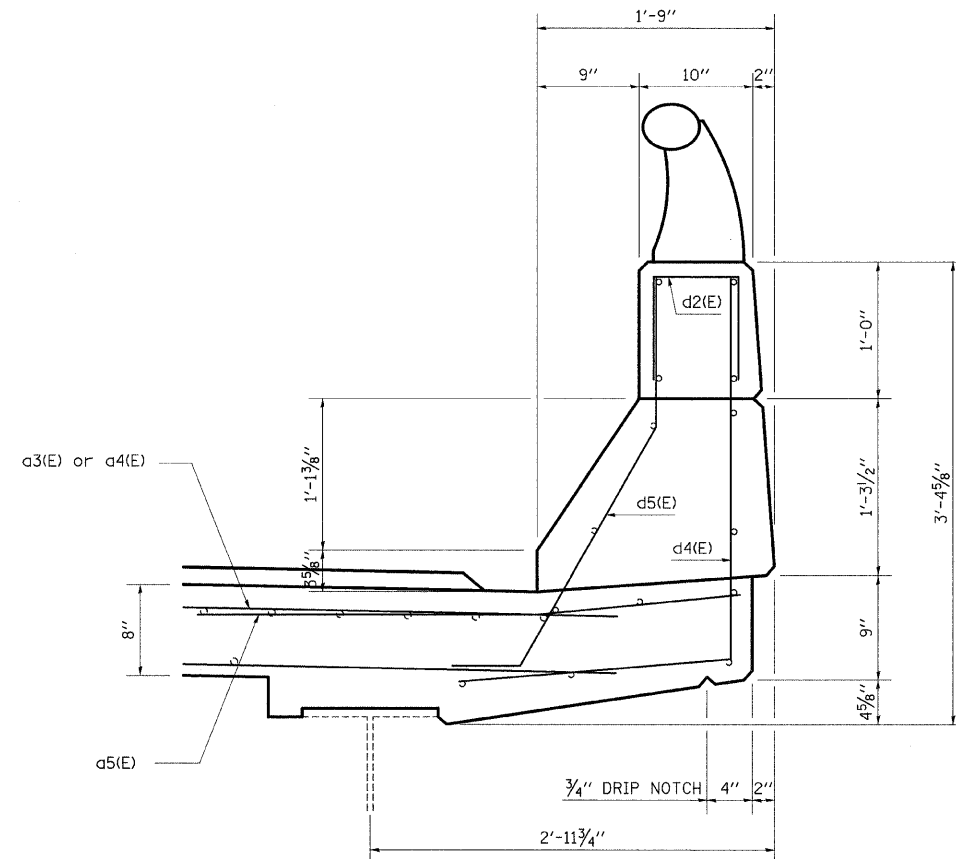
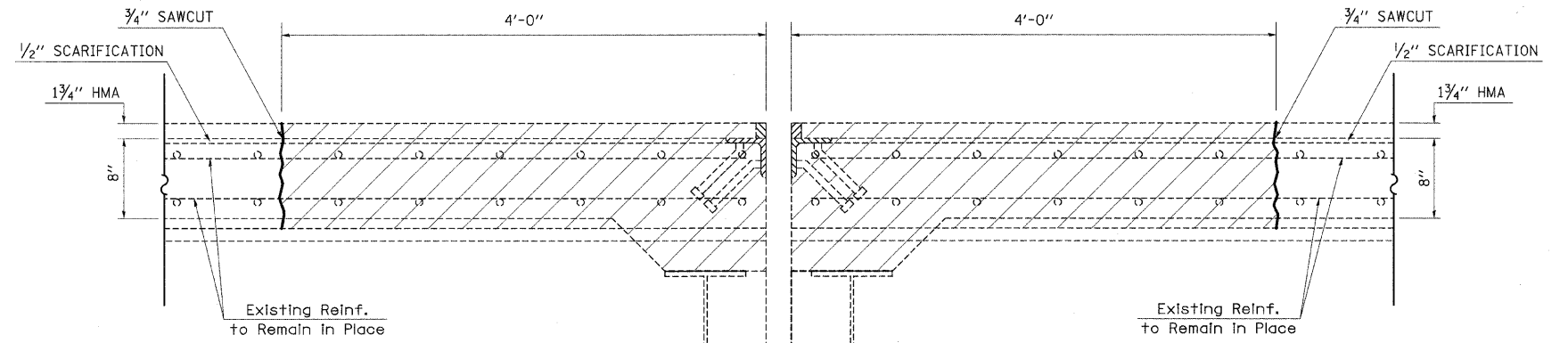


Note: Rotate d4(E) and d5(E) bars in parapet to fit horizontal legs in concrete pour.

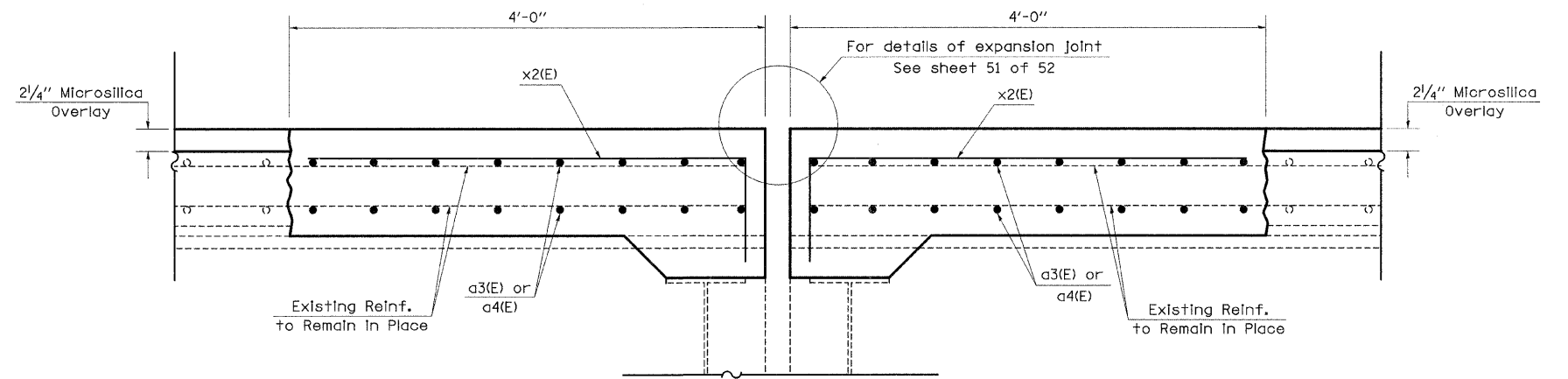


**SECTION THRU PARAPET**



**SECTION C-C**  
(Dimensions at RT L's to end of deck)

○ Existing Reinforcement  
● Proposed Reinforcement



**SECTION D-D**  
(Dimensions at RT L's to end of deck)

FILE NAME = c:\pw\work\PWIDOT\SWARTZR\dm37779\k...enbridge.dgn	USER NAME = swartzr	DESIGNED -	REVISED -
PLOT SCALE = 20,0000 ' / IN.		DRAWN -	REVISED -
PLOT DATE = 9/28/2009		CHECKED -	REVISED -
		DATE -	REVISED -

**STATE OF ILLINOIS**  
**DEPARTMENT OF TRANSPORTATION**

**HINGE EXPANION JOINT REPLACEMENT DETAILS**  
**SN 058-0095 (EB) & SN 058-0096 (WB)**

SCALE: N/A SHEET NO. 8 OF 21 SHEETS STA. TO STA.

F.A.I. RTE.	SECTION	COUNTY	TOTAL SHEETS	SHEET NO.
72	66(B,HVB,HB-1)BR	MACON	83	52
CONTRACT NO. 74343				
FED. ROAD DIST. NO. ILLINOIS FED. AID PROJECT				