

Notes:

The strip seal shall be made continuous and shall have a minimum thickness of 1/4". The configuration of the strip seal shall match the configuration of the Locking Edge Rails.

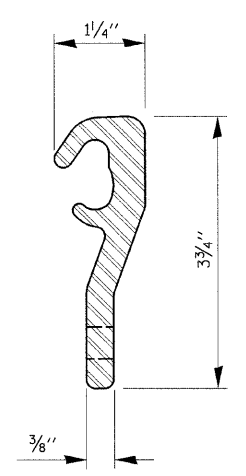
The height and thickness of the Locking Edge Rails shown are minimum dimensions. The actual configuration of the Locking Edge Rails and matching strip seal may vary from manufacturer to manufacturer. Flanged edge rails will not be allowed.

The inside of the Locking Edge Rail groove shall be free of weld residue.

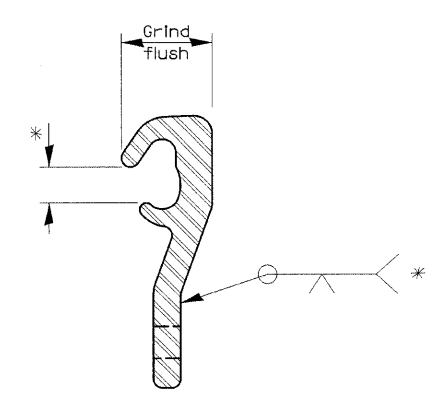
Locking Edge Rails may be spliced at slope discontinuities and stage construction joints.

The manufacturer's recommended installation methods shall be followed.

SECTION THRU STRIP SEAL JOINT



LOCKING EDGE RAIL



LOCKING EDGE RAIL SPLICE

• Omit weld at seal opening.

BILL OF MATERIAL

SN	Item	Unit	Total
058-0093	Preformed Joint Strip Seal	Foot	96'
058-0094	Preformed Joint Strip Seal	Foot	96'

FILE NAME =	USER NAME = swartzw	DESIGNED -	REVISED -	STATE OF ILLINOIS DEPARTMENT OF TRANSPORTATION	PREFORMED JOINT STRIP SEAL 058-0093 (EB) & 058-0094 (WB)	F.A.I. RTE.	SECTION	COUNTY	TOTAL SHEETS	SHEET NO.
c:\pw_work\FWIDOT\SWARTZRW\dms37779\k	enbridge.dgn	DRAWN -	REVISED -			72	66(B,HVB,HB-1)BR	MACON	83	77
PLOT SCALE = 20,0000' / IN.		CHECKED -	REVISED -			CONTRACT NO. 74343				
PLOT DATE = 9/28/2009		DATE -	REVISED -			SCALE: N/A	SHEET NO. 12 OF 17 SHEETS	STA. TO STA.	FED. ROAD DIST. NO.	ILLINOIS FED. AID PROJECT