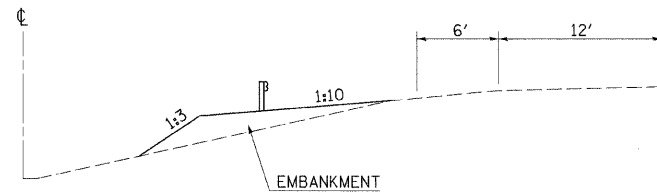
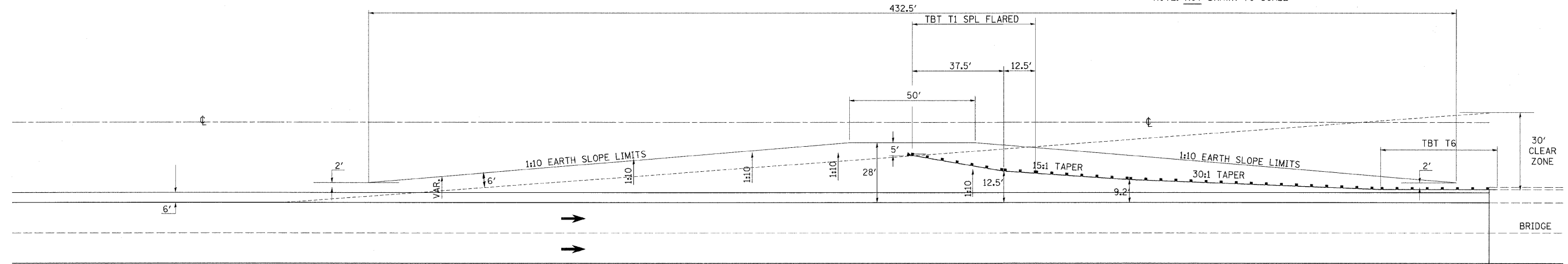


DETAIL OF FLARED GUARDRAIL AT DUAL STRUCTURES

NOTE: NOT DRAWN TO SCALE



NOTE: SEE PLAN SHEET SCHEDULES FOR LOCATIONS AND STATIONING OF GUARDRAIL.

FILE NAME = c:\pwork\PIWIDOT\SWARTZRW\dms37771\ah	USER NAME = swartzrw details_74343.dgn	DESIGNED -	REVISED -
	PLOT SCALE = 20.0000' / IN.	DRAWN -	REVISED -
	PLOT DATE = 9/28/2009	CHECKED -	REVISED -
		DATE -	REVISED -

STATE OF ILLINOIS
DEPARTMENT OF TRANSPORTATION

DETAILS

SCALE: NA SHEET NO. 1 OF 1 SHEETS STA. TO STA.

F.A.I. RTE. 72	SECTION 66(B,HVB,HB-1)DBR	COUNTY MACON	TOTAL SHEETS 83	SHEET NO. 83
FED. ROAD DIST. NO. ILLINOIS FED. AID PROJECT			CONTRACT NO. 74343	