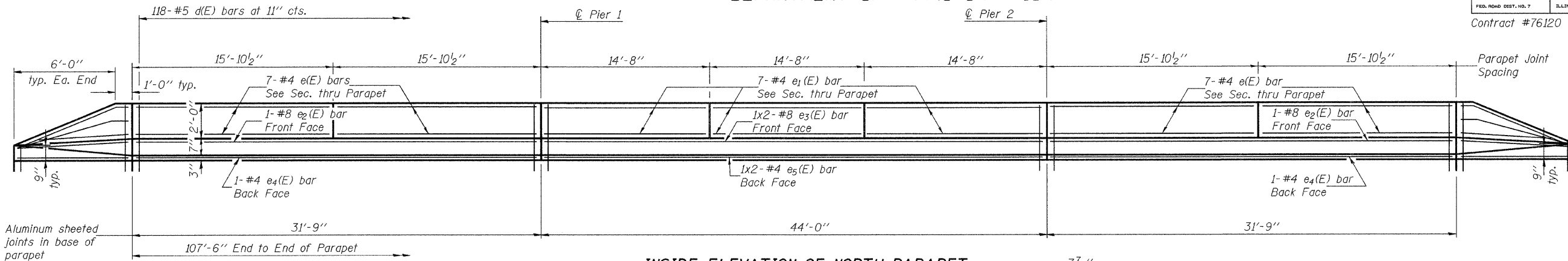


STATE OF ILLINOIS
DEPARTMENT OF TRANSPORTATION

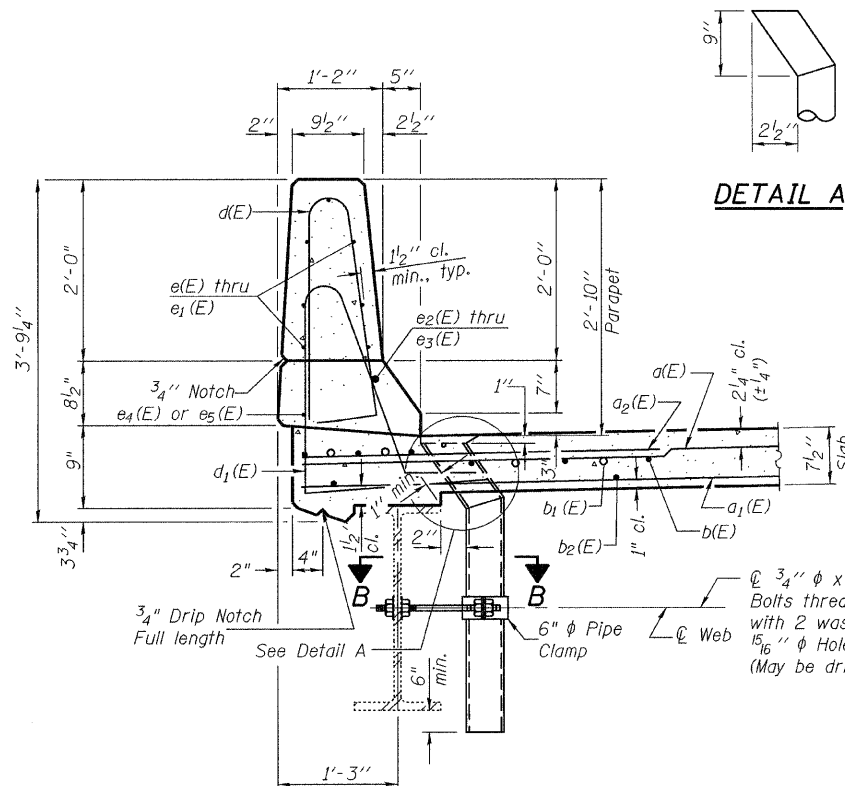
ROUTE NO. F.A.U. 9181	SECTION 52BR	COUNTY ST. CLAIR	JOB SHEETS 41	SHEET NO. 26	SHEET NO. 10 25 SHEETS
FED. ROAD DIST. NO. 7		ILLINOIS		FED. AID PROJECT	

Contract #76120

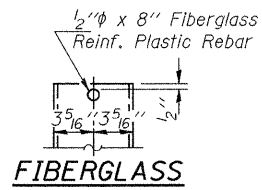


MIN. BAR LAPS
(Parapet)
#4 bars = 1'-4"
#8 bars = 3'-5"

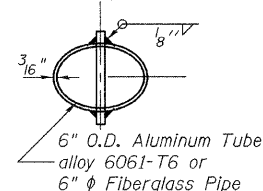
INSIDE ELEVATION OF NORTH PARAPET
(Looking North, South Parapet Similar)



DETAIL A

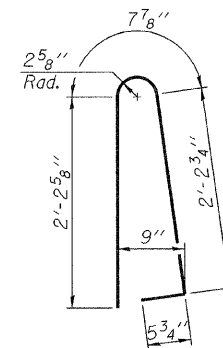


FIBERGLASS PIPE

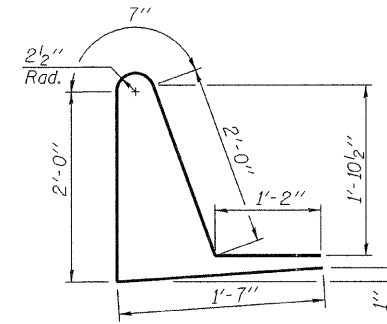


ALUMINUM TUBE

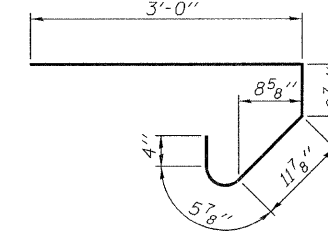
TOP PLAN
(Showing Aluminum Tube)



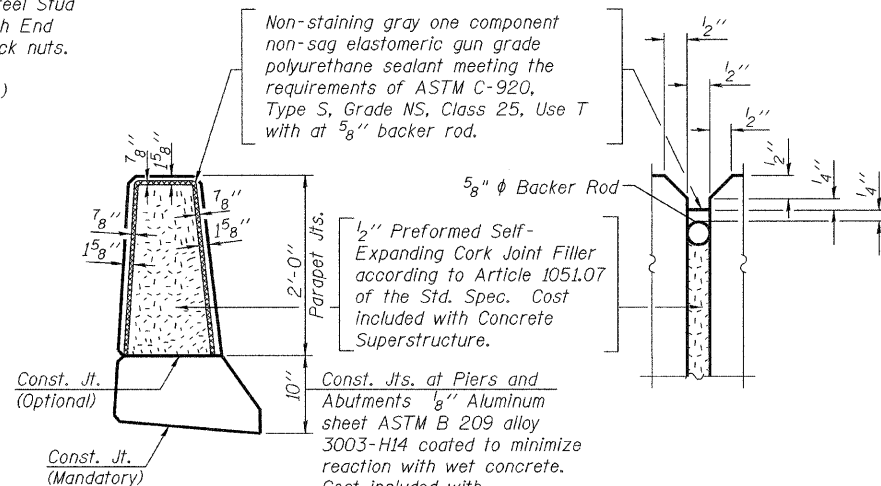
BAR d(E)



BAR d1(E)



BAR s(E)



PARAPET JOINT DETAILS

Notes:
Drains shall be located clear of all diaphragms.
The exterior surfaces of the floor drains shall be painted with the finish coat as specified in the special provisions for Cleaning and Painting New Metal Structures. The exterior surfaces of the drains shall be cleaned according to Society of Protective Coatings Spec. SSPC-SP1 prior to painting.
Fiberglass pipe shall conform to ASTM D 2996, with short-time rupture strength hoop tensile stress of 30,000 p.s.i. minimum.

SUPERSTRUCTURE BILL OF MATERIAL

Bar	No.	Size	Length	Shape
a(E)	346	#5	26'-1"	—
a1(E)	260	#5	25'-5"	—
a2(E)	174	#6	6'-0"	—
b(E)	224	#5	28'-1"	—
b1(E)	104	#6	24'-0"	—
b2(E)	230	#5	22'-10"	—
d(E)	236	#5	5'-7"	⌋
d1(E)	236	#5	7'-4"	⌋
e(E)	56	#4	15'-7"	—
e1(E)	42	#4	14'-5"	—
e2(E)	4	#8	31'-5"	—
e3(E)	4	#8	23'-7"	—
e4(E)	4	#4	31'-5"	—
e5(E)	4	#4	22'-7"	—
m(E)	8	#6	26'-3"	—
m1(E)	20	#6	26'-4"	—
m2(E)	40	#6	8'-10"	—
m3(E)	18	#6	5'-9"	—
m4(E)	4	#6	10'-6"	—
s(E)	104	#5	5'-5"	⌋
s1(E)	28	#4	10'-1"	⌋
s2(E)	24	#4	9'-9"	⌋
s3(E)	52	#4	9'-5"	⌋
v(E)	108	#5	3'-4"	⌋
Reinforcement Bars, Epoxy Coated		Pound	42,050	
Concrete Superstructure		Cu. Yds.	193.3	

Bars indicated thus 1 x 2 - #8 etc. indicates 1 line of bars with 2 lengths per line.

BAR s1(E), s2(E) & s3(E)

SUPERSTRUCTURE DETAILS
F.A.U. RTE. 9181 - SECTION 52BR
ST. CLAIR COUNTY
STATION 39+89.80
STRUCTURE NO. 082-0136

DESIGNED	WAB/SMR
CHECKED	DFZ/FT
BML	
DRAWN	PAUL W. SWEET
CHECKED	DFZ/SMR/DPN/FT

November 23, 2009	
EXAMINED	Thomas J. Demagalaki
PASSED	Ralph E. Anderson