

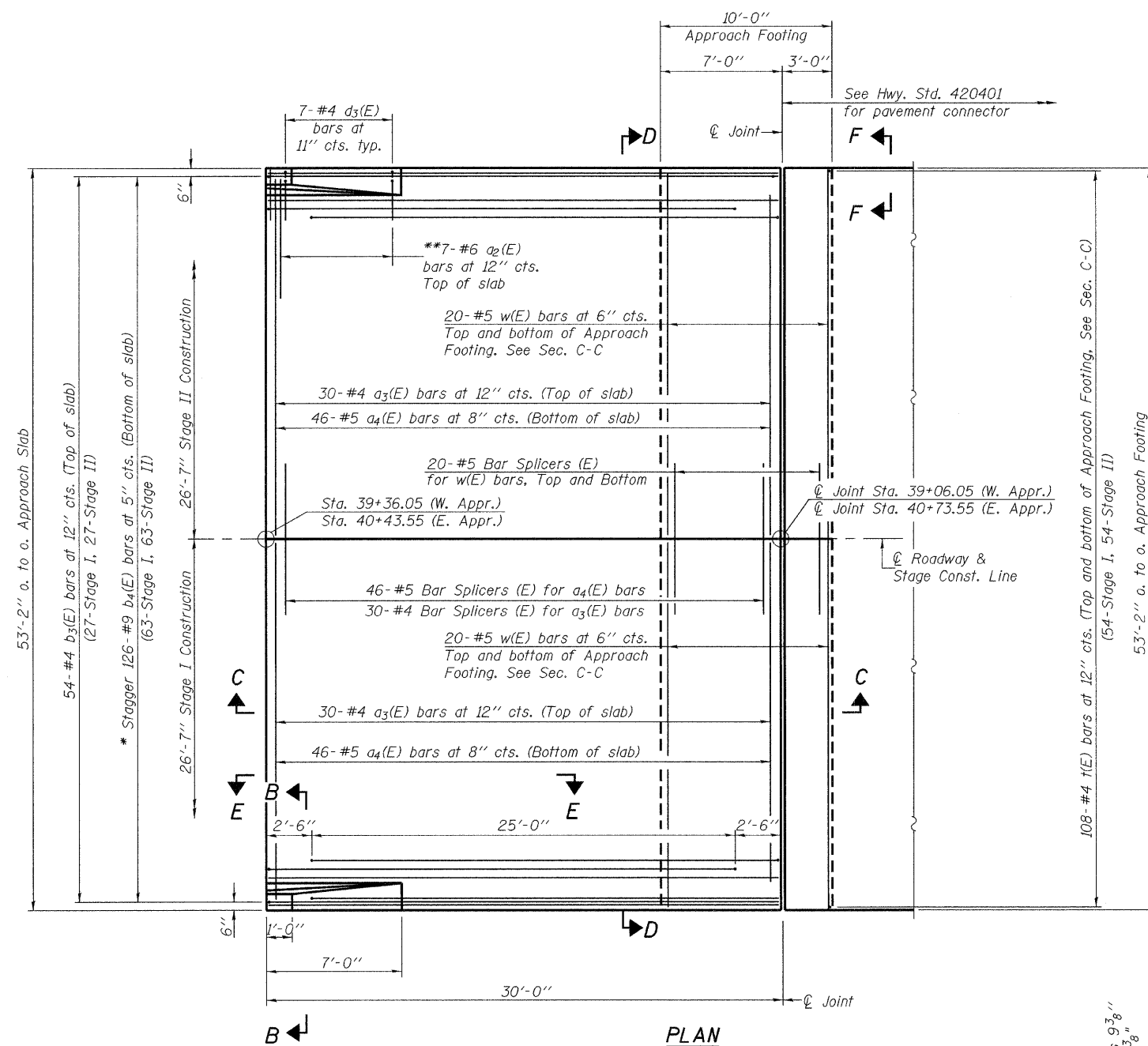
STATE OF ILLINOIS  
DEPARTMENT OF TRANSPORTATION

ROUTE NO. F.A.U. 9181	SECTION 52BR	COUNTY ST. CLAIR	TOTAL SHEETS 41	SHEET NO. 29	SHEET NO. 13 25 SHEETS
FED. ROAD DIST. NO. 7		ILLINOIS		FED. AID PROJECT-	

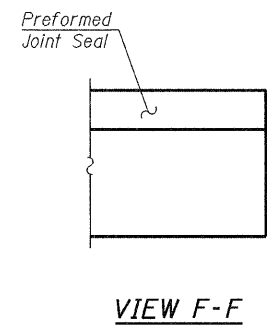
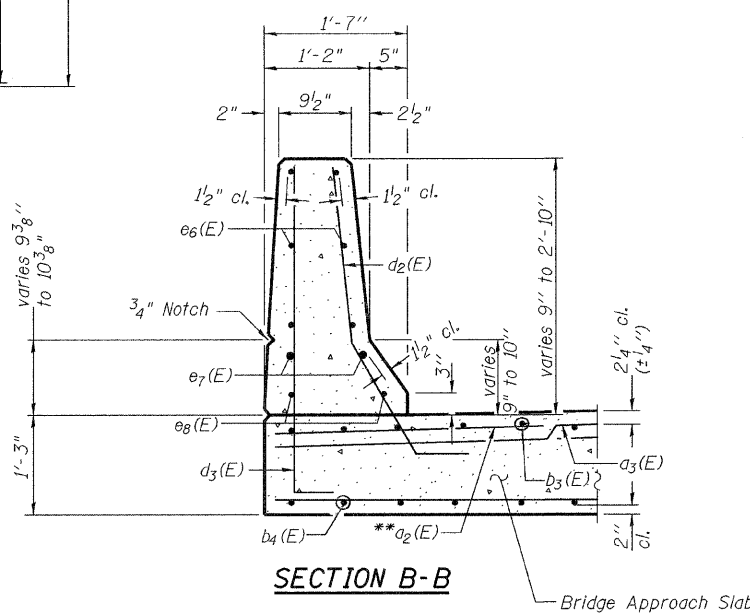
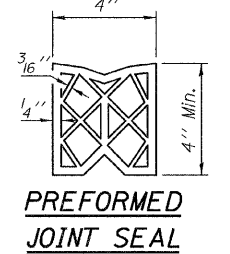
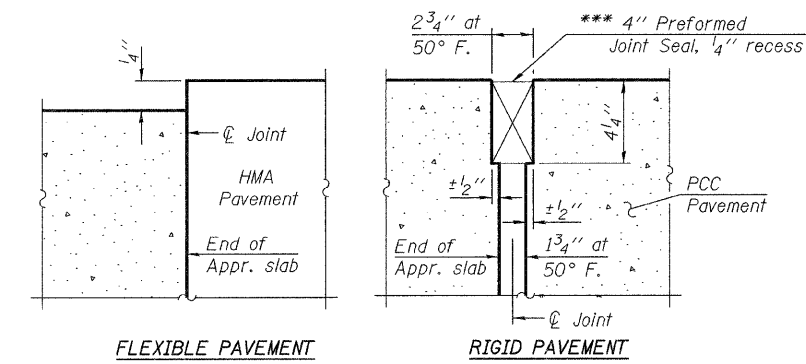
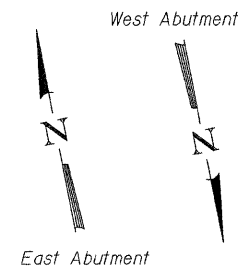
Contract #76120

Notes:  
See sheet 14 of 25 for Sections C-C & D-D and View E-E.  
 $a_3(E)$ ,  $a_4(E)$ , and  $w(E)$  bar spacings measured perpendicular to  $\text{C} \text{ Rdwy.}$

\*\*\* Cost included with Concrete Superstructure.



\* Tilt #9  $b_4(E)$  bars as required to maintain clearance.  
\*\* Alternate with  $a_3(E)$  bars, typ. ea. parapet.



DESIGNED	SMR
CHECKED	FT
DRAWN	BML
CHECKED	SMR/FT

November 23, 2009

EXAMINED *Thomas J. Donagahki*  
ENGINEER OF BRIDGE DESIGN

PASSED *Ralph E. Anderson*  
ENGINEER OF BRIDGES AND STRUCTURES

**BRIDGE APPROACH SLAB DETAILS**  
F.A.U. RTE. 9181 - SECTION 52BR  
ST. CLAIR COUNTY  
STATION 39+89.80  
STRUCTURE NO. 082-0136