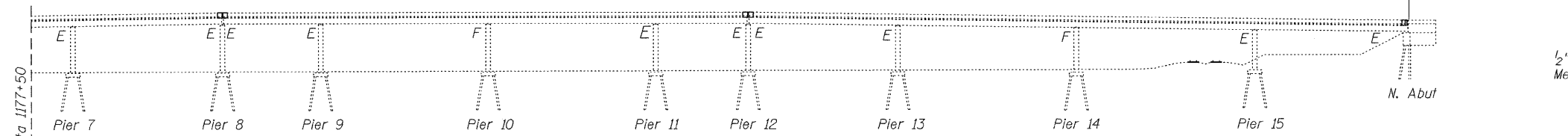
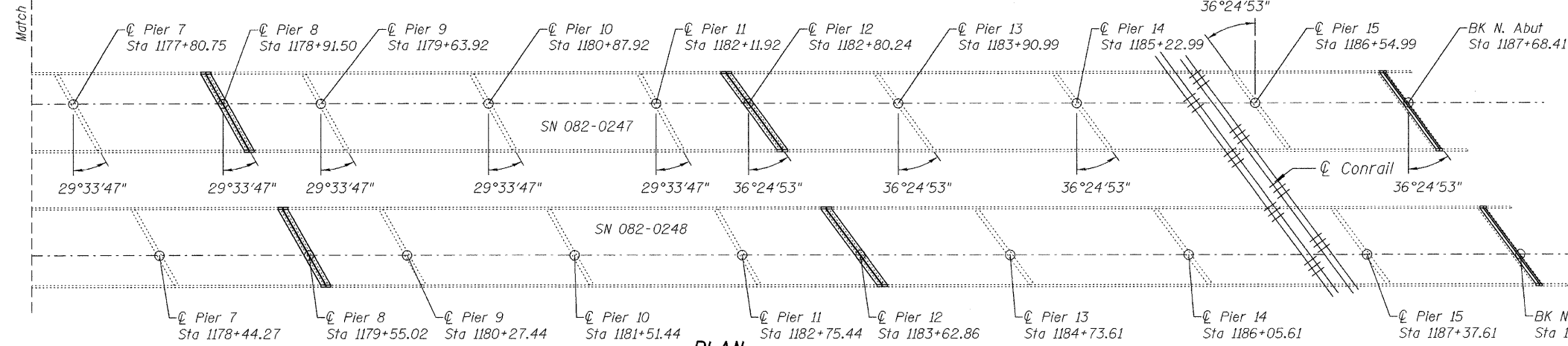


STATE OF ILLINOIS  
DEPARTMENT OF TRANSPORTATION

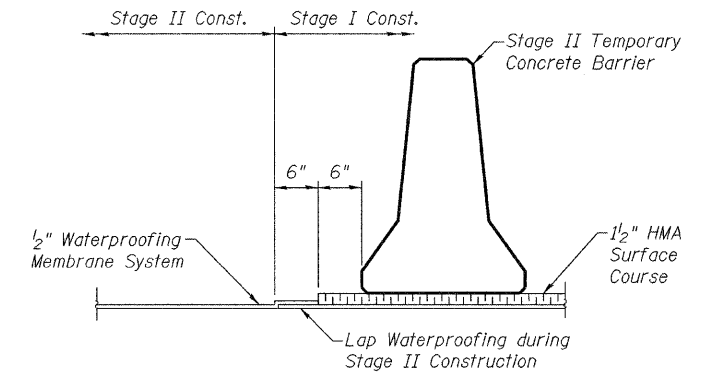
2018'-7<sup>3</sup>/<sub>4</sub>" Bk. to Bk. Abutments (along SB PG)  
2189'-6<sup>1</sup>/<sub>2</sub>" Bk to Bk Abutments (along NB PG)



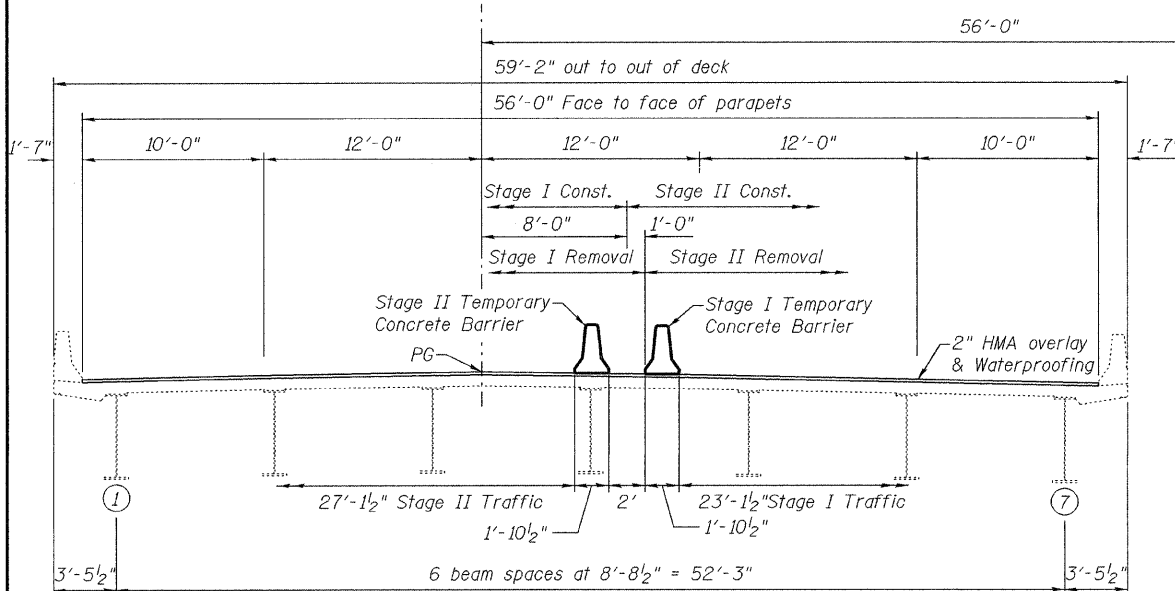
**ELEVATION**



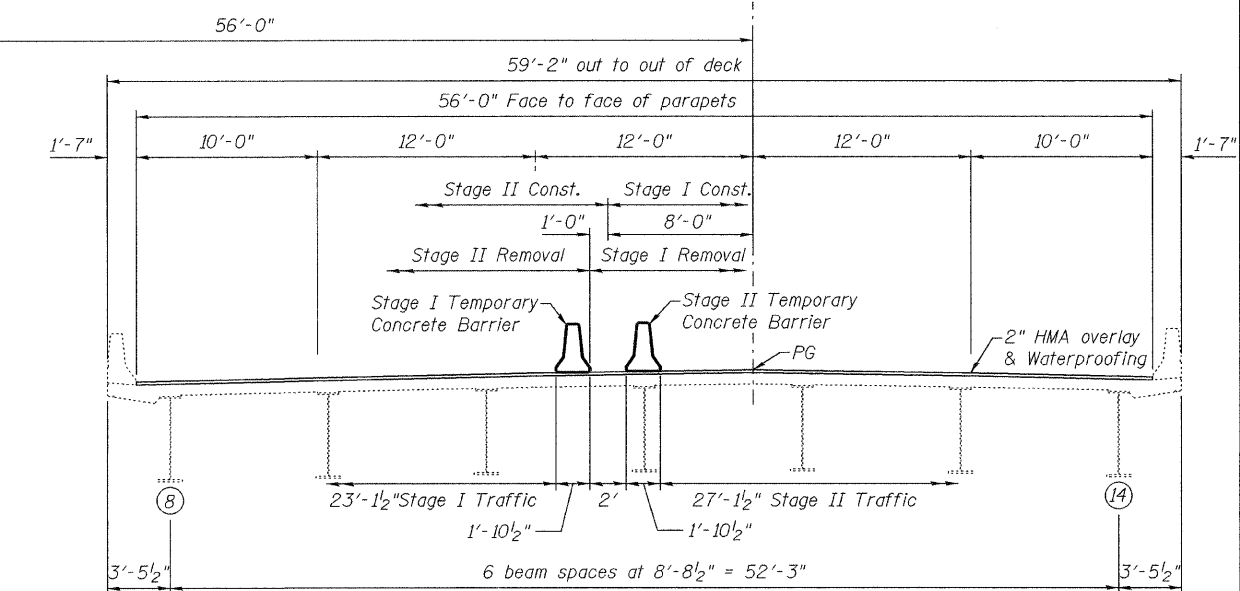
**PLAN**



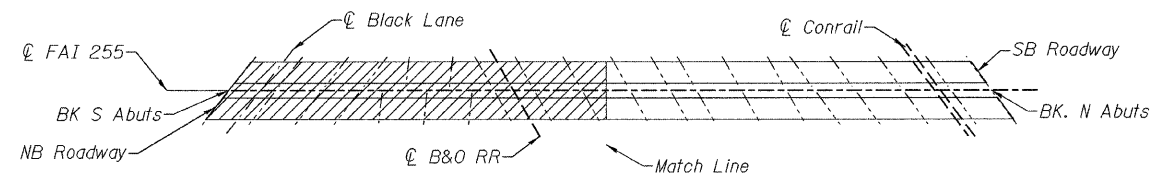
**WATERPROOFING STAGING**  
(NB Looking North, SB Looking South)



**SB CROSS SECTION**  
(Looking North)



**NB CROSS SECTION**  
(Looking North)



**KEY PLAN**

DESIGNED	J. Uehle
CHECKED	A. Hallway
DRAWN	J. Uehle
CHECKED	A. Hallway

NOVEMBER 5, 2009  
EXAMINED *Carl Perry*  
ENGINEER OF STRUCTURAL SERVICES  
PASSED *Ralph E. Anderson*  
ENGINEER OF BRIDGES AND STRUCTURES

**PLAN & ELEVATION**  
**SN 082-0247 & 0248**

SHEET NO. 2 20 SHEETS	F.A.I. RTE.	SECTION	COUNTY	TOTAL SHEETS	SHEET NO.
	255	82-1HVB-I-1	ST. CLAIR	45	27
			CONTRACT NO. 76926		
FED. ROAD DIST. NO.		ILLINOIS	FED. AID PROJECT		