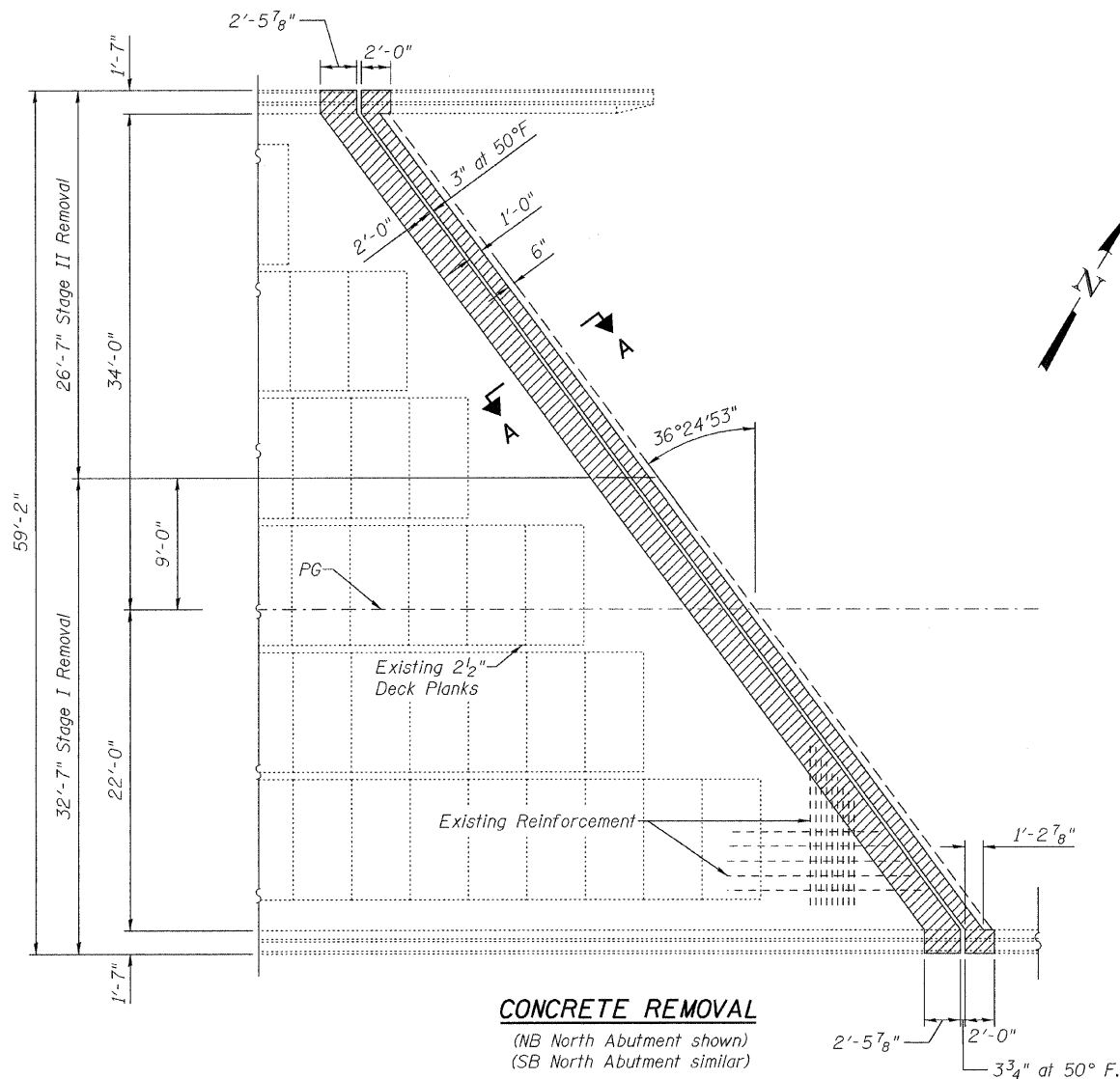
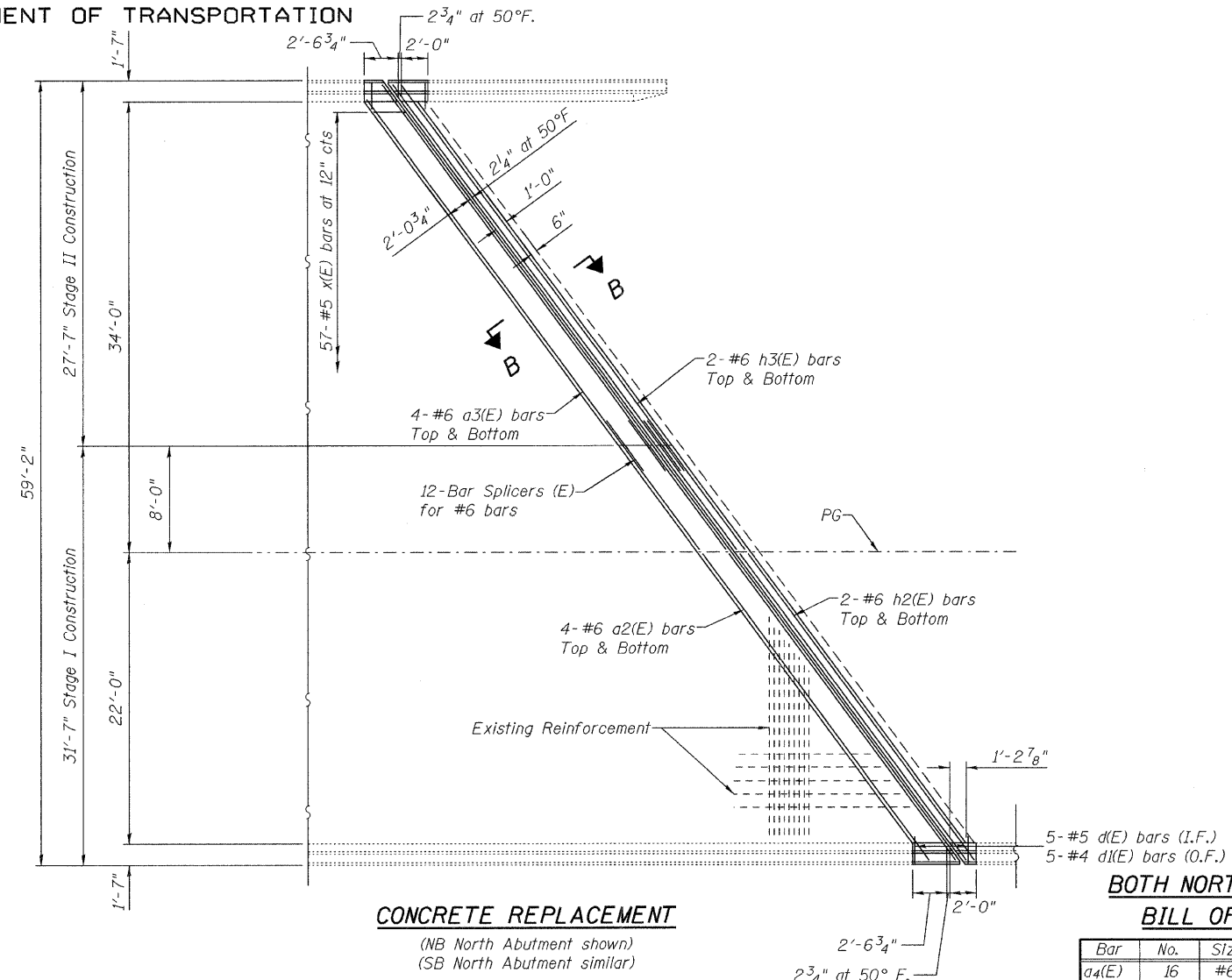


STATE OF ILLINOIS
DEPARTMENT OF TRANSPORTATION



CONCRETE REMOVAL
(NB North Abutment shown)
(SB North Abutment similar)



CONCRETE REPLACEMENT
(NB North Abutment shown)
(SB North Abutment similar)

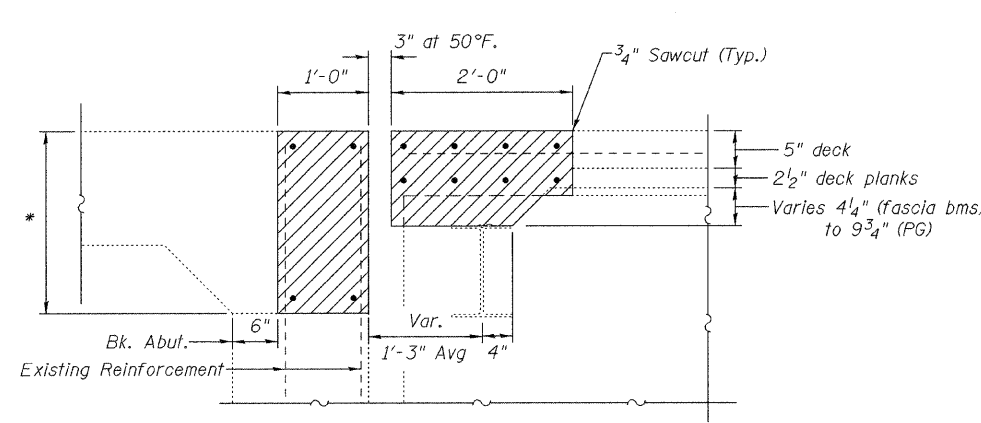
**BOTH NORTH ABUTMENTS
BILL OF MATERIAL**

Bar	No.	Size	Length	Shape
a4(E)	16	#6	38'-8"	—
a5(E)	16	#6	33'-9"	—
d(E)	20	#4	4'-7"	L
d1(E)	20	#5	3'-3"	L
h2(E)	8	#6	39'-0"	—
h3(E)	8	#6	34'-0"	—
x(E)	114	#5	2'-10"	—
Reinforcement Bars, Epoxy Coated			Pound	3080
Concrete Superstructure			Cu. Yds.	24.0
Concrete Removal			Cu. Yds.	22.7
Preformed Strip Seal			Foot	143.0

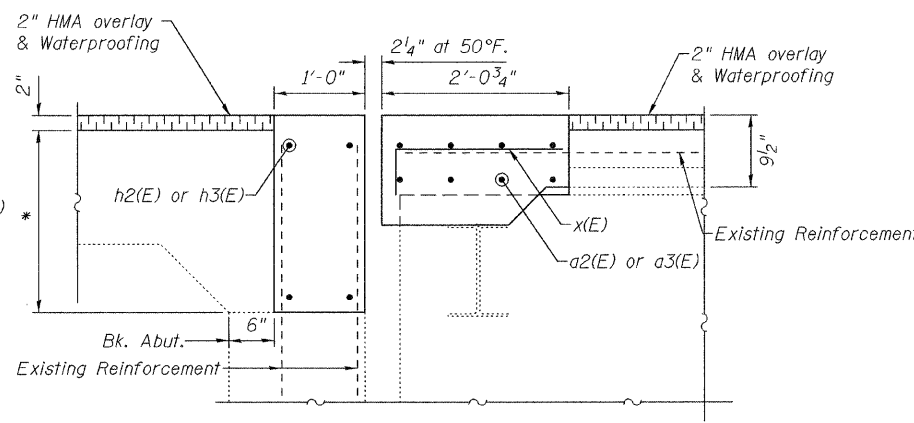
Bars indicated thus 4x2 - #5 etc. indicates 4 line of bars with 2 lengths per line.

See sheet 3 for parapet section and bar details.

**NORTH ABUTMENT
CONCRETE REMOVAL & REPLACEMENT
082-0247 & 0248**



SECTION A-A



SECTION B-B

* SB Varies 1'-0 1/8" (median gutter) to 2'-17 8/8" (PG) to 2'-13 3/4" (outside gutter)
NB Varies 1'-5 5/8" (median gutter) to 1'-8 3/8" (PG) to 11 7/8" (outside gutter)

DESIGNED	J. Uehle
CHECKED	A. Halloway
DRAWN	J. Uehle
CHECKED	A. Halloway

NOVEMBER 5, 2009	
EXAMINED	<i>Carl P. ...</i>
PASSED	<i>Ralph E. Anderson</i>
ENGINEER OF BRIDGES AND STRUCTURES	

SHEET NO. 4	F.A.I. RTE.	SECTION	COUNTY	TOTAL SHEETS	SHEET NO.
	255	82-1HVB-I-1	ST. CLAIR	45	29
20 SHEETS		CONTRACT NO. 76926			
FED. ROAD DIST. NO.		ILLINOIS	FED. AID PROJECT		