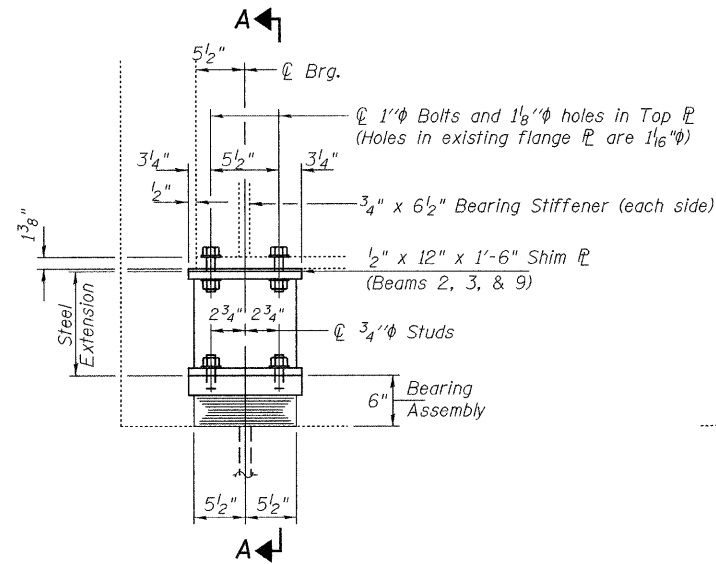
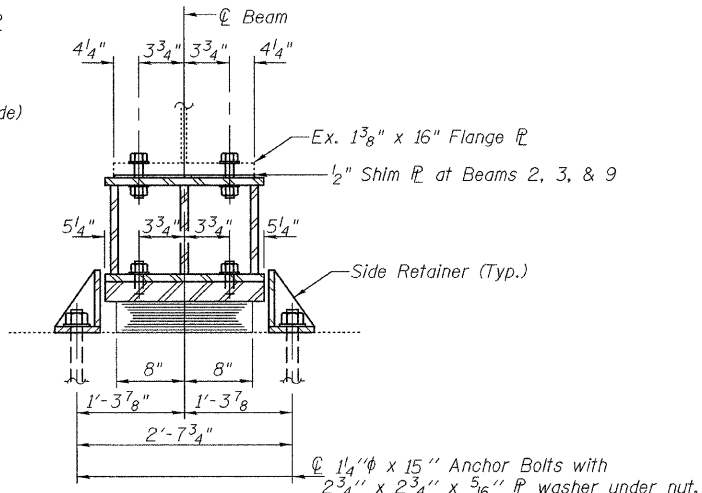


STATE OF ILLINOIS  
DEPARTMENT OF TRANSPORTATION



ELEVATION AT ABUTMENT

TYPE I ELASTOMERIC EXP. BRG.

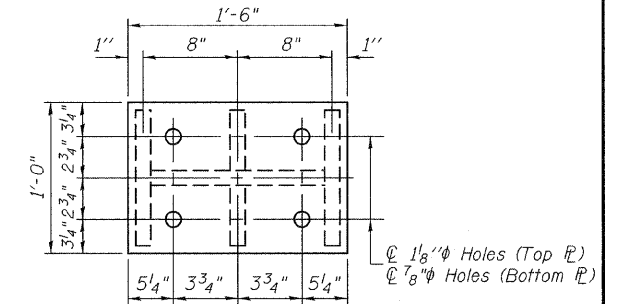


SECTION A-A

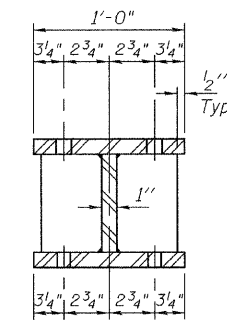
BEAM REACTIONS

R <sub>P</sub>	(K)	70.3
R <sub>L</sub>	(K)	51.9
Imp.	(K)	15.6
R (Total)	(K)	137.8

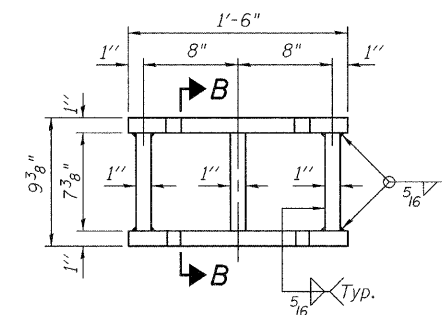
Notes:  
Cross-frame removal and installation may be required to facilitate drilling holes. Cost included with Furnishing and Erecting Structural Steel.  
New steel extensions, shim plates and connection bolts are included with Furnishing and Erecting Structural Steel.  
Prior to ordering any material, the Contractor shall verify in the field all bearing height and shim thickness dimensions. Min. jack capacity = 80 Tons.  
Anchor bolts shall be ASTM F1554 all-thread (or an Engineer-approved alternate material) of the grade(s) and diameter(s) specified. ASTM A307 Grade C anchor bolts may be used in lieu of ASTM F1554 Grade 36 (F<sub>y</sub>=36ksi). The corresponding specified grade of AASHTO M314 anchor bolts may be used in lieu of ASTM F1554.  
Anchor bolts at fixed bearings may be either cast in place or installed in holes drilled after the supported member is in place.  
Drilled and set anchor bolts shall be installed according to Article 521.06 of the Standard Specifications.  
Side retainers shall be included in the cost of Elastomeric Bearing Assembly, Type I.



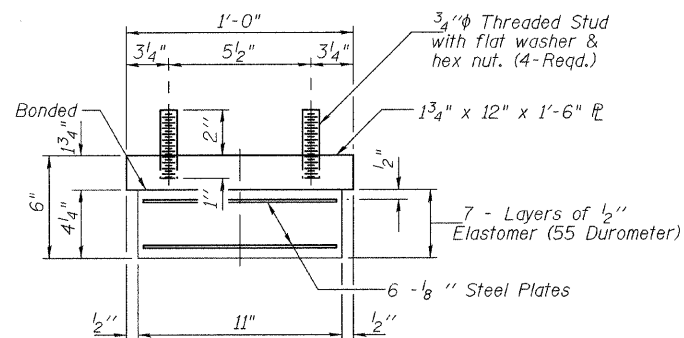
PLAN TOP AND BOTTOM PLATE



SECTION B-B

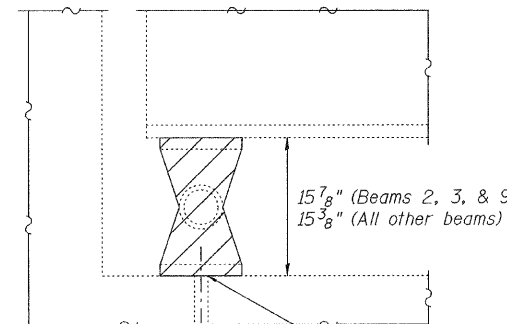


STEEL EXTENSION DETAIL



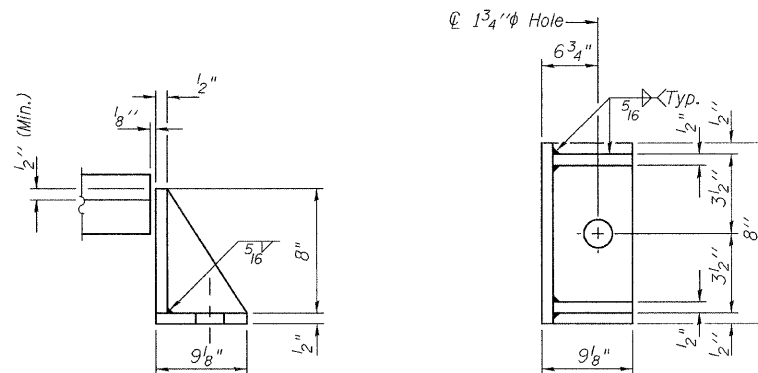
BEARING ASSEMBLY

Note:  
Shim plates shall not be placed under Bearing Assembly.



JACK AND REMOVE EXISTING BEARING

Burn existing anchor bolts flush with existing concrete surface. Grind existing anchor bolts smooth and seal with epoxy. Cost is included in "Jack and Remove Existing Bearings".



SIDE RETAINER

Equivalent rolled angle with stiffeners will be allowed in lieu of welded plates.

BILL OF MATERIAL

Item	Unit	Total
Elastomeric Bearing Assembly, Type I	Each	14
Jack and Remove Existing Bearings	Each	14
Furnishing and Erecting Structural Steel	Pound	3,300
Anchor Bolts 1 1/4" φ x 15"	Each	28

BEARING DETAILS - S. ABUTMENT  
SN 082-0247 & 0248

SHEET NO. 17 20 SHEETS	F.A.I RTE. 255	SECTION 82-1HVB-I-1	COUNTY ST. CLAIR	TOTAL SHEETS 45	SHEET NO. 42
	CONTRACT NO. 76926				
FED. ROAD DIST. NO.		ILLINOIS FED. AID PROJECT			

DESIGNED	J. Uehle
CHECKED	A. Hallway
DRAWN	J. Uehle
CHECKED	A. Hallway

NOVEMBER 5, 2009	
EXAMINED	<i>A. Carl Powers</i> ENGINEER OF STRUCTURAL SERVICES
PASSED	<i>Ralph E. Anderson</i> ENGINEER OF BRIDGES AND STRUCTURES

TYI/REPS 12-03-2008