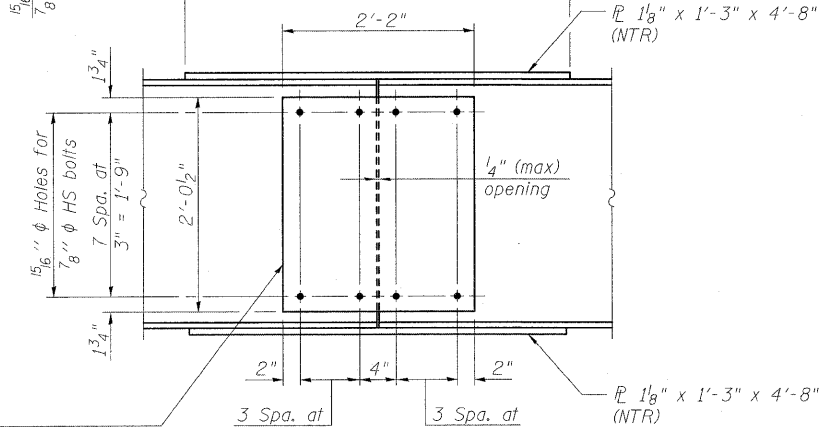
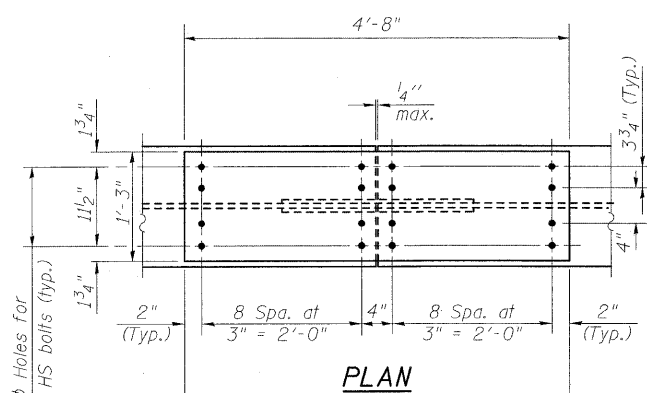
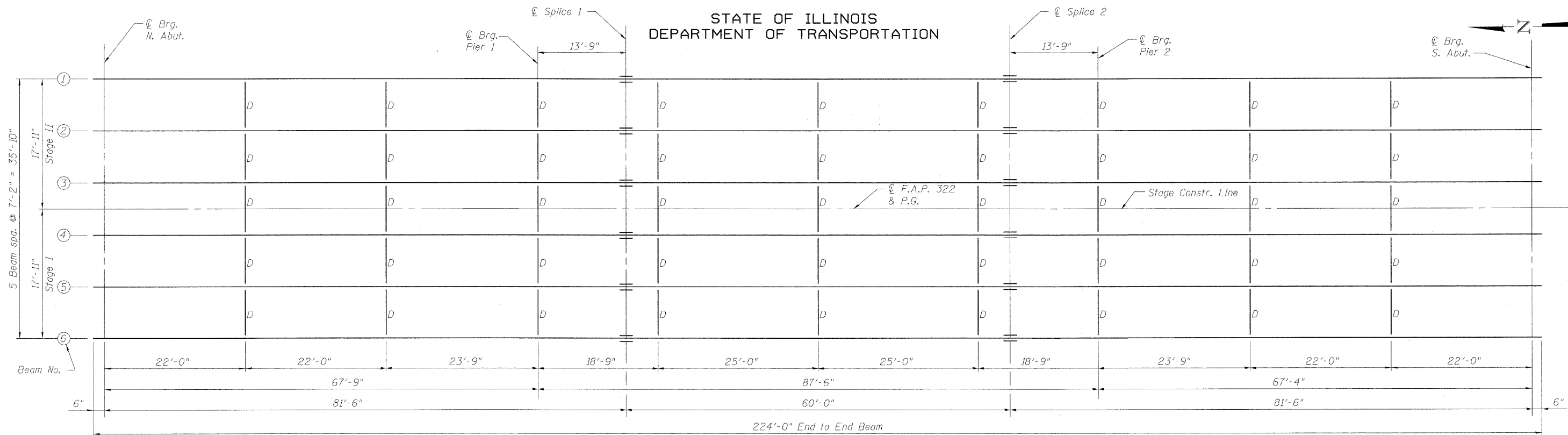
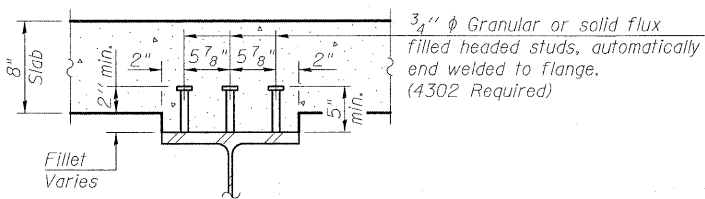
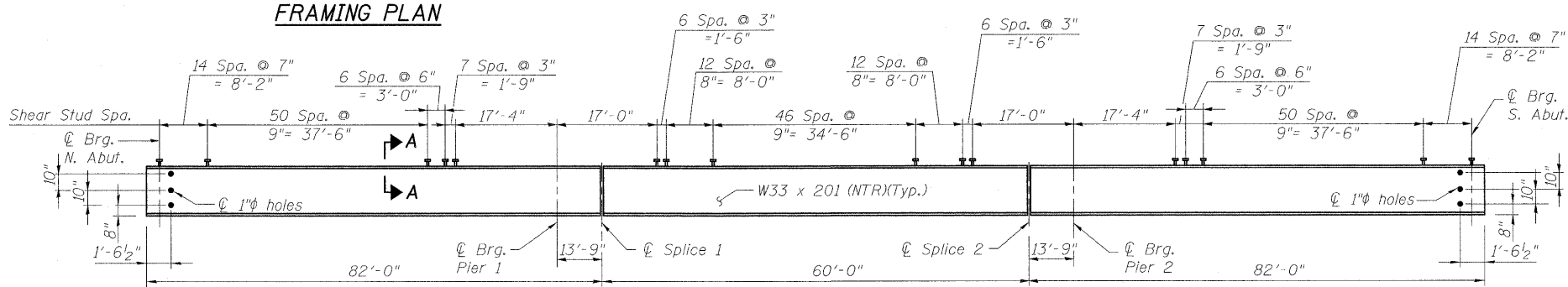


STATE OF ILLINOIS  
DEPARTMENT OF TRANSPORTATION



Web splice  
R 3/8" x 2'-2" x 2'-0 1/2"  
each side (NTR)

**SPLICE DETAIL**  
(12 Required)



\* TOP OF BEAM ELEVATIONS

Location	$\varnothing$ Brg. N. Abut.	$\varnothing$ Pier 1	$\varnothing$ Splice 1	$\varnothing$ Splice 2	$\varnothing$ Pier 2	$\varnothing$ Brg. S. Abut.
Beam 1	481.11	481.31	481.35	481.38	481.35	481.21
Beam 2	481.25	481.46	481.50	481.53	481.50	481.35
Beam 3	481.37	481.57	481.61	481.64	481.61	481.47
Beam 4	481.37	481.57	481.61	481.64	481.61	481.47
Beam 5	481.25	481.46	481.50	481.53	481.50	481.35
Beam 6	481.11	481.31	481.35	481.38	481.35	481.21

\* For fabrication only

Notes:  
Load carrying components designated "NTR" shall conform to the Supplemental Requirements for Notch Toughness, Zone 2.  
All crossframes or diaphragms shall be installed as steel is erected and secured with erection pins and bolts except as otherwise noted. Individual cross frames or diaphragms at supports may be temporarily disconnected to install bearing anchor rods.  
See Sheet 14 of 23 for Diaphragm Details.  
See Sheet 14 of 23 for Anchor Bolt placement.

STRUCTURAL STEEL  
STRUCTURE NUMBER 061-0094

DESIGNED	B.B.
CHECKED	C.J.F.
DRAWN	W.J.S.
CHECKED	C.J.F. & B.B.

**BERNARDIN  
LOCHMUELLER &  
ASSOCIATES, INC.**

3 Oak Drive  
Maryville, IL 62962-5635  
Local: 618-288-4965  
Fax: 618-288-4966

SHEET NO. 15 23 SHEETS	F.A.P. RTE. 322	SECTION 25BR-1	COUNTY MARION	TOTAL SHEETS 63	SHEET NO. 38
	SN 061-0094			CONTRACT NO. 76A83	
FED. ROAD DIST. NO. 8 ILLINOIS FED. AID PROJECT 322					