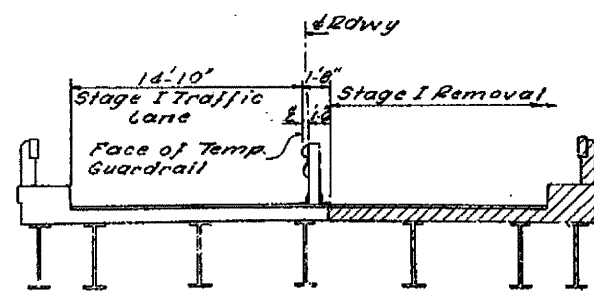


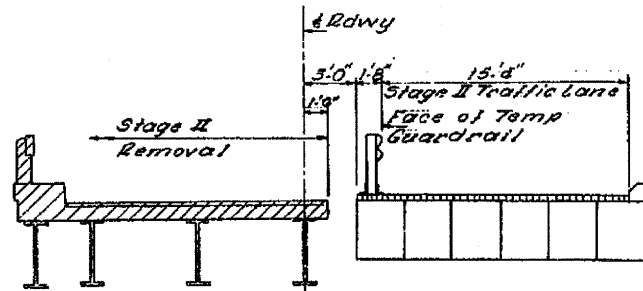
STATE OF ILLINOIS
DEPARTMENT OF TRANSPORTATION

ROUTE NO.	DISTRICT	COUNTY	TOTAL SHEETS	SHEET NO.
2	25BR	Marion	11	7
FED. ROAD DIST. NO. 1		ILLINOIS		FED. AID PROJECT

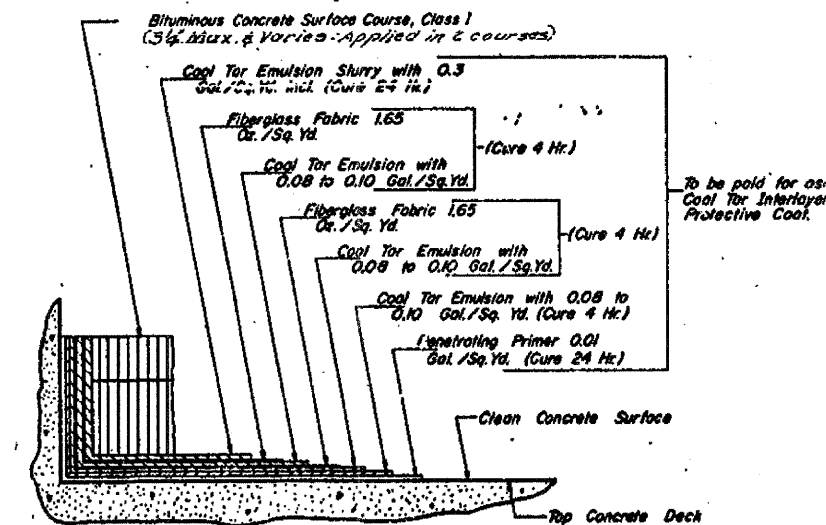
SHEET NO. 4
8 SHEETS



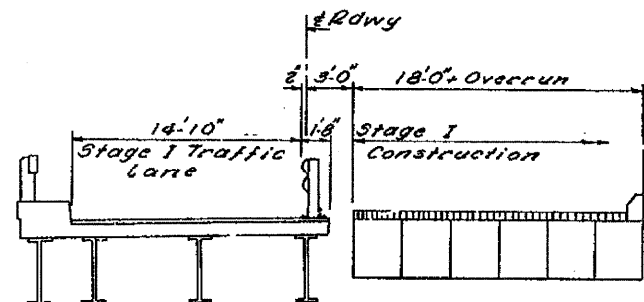
STAGE I REMOVAL
Looking South



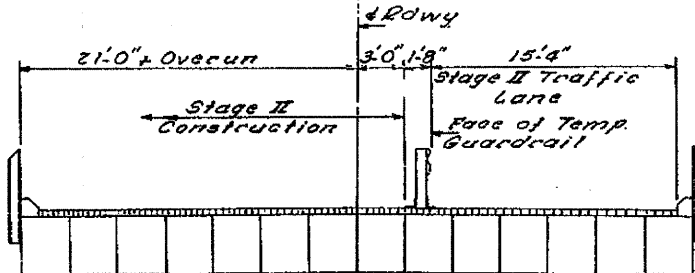
STAGE II REMOVAL
Looking South



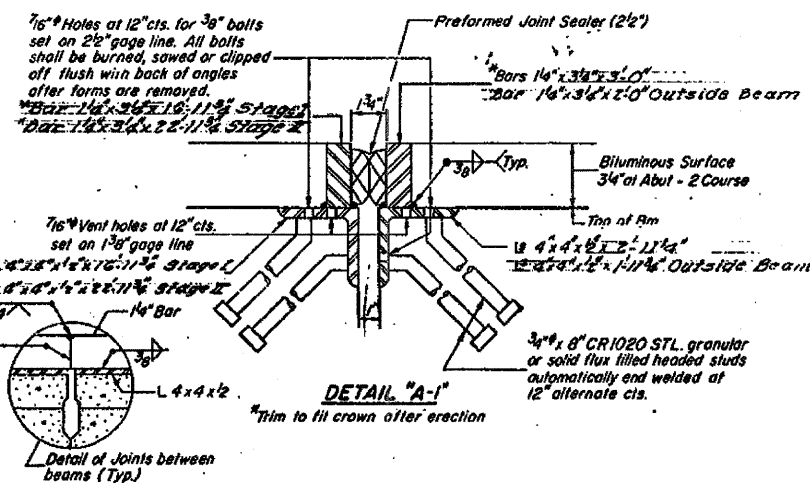
DETAIL OF DECK SURFACING



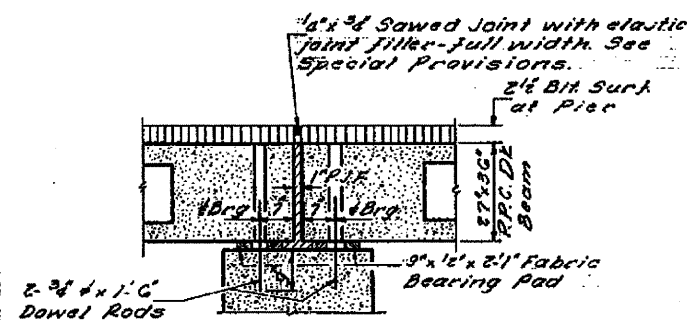
STAGE I CONSTRUCTION
Looking South



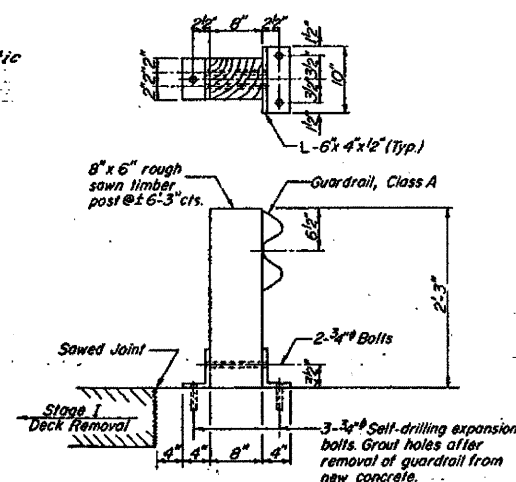
STAGE II CONSTRUCTION
Looking South



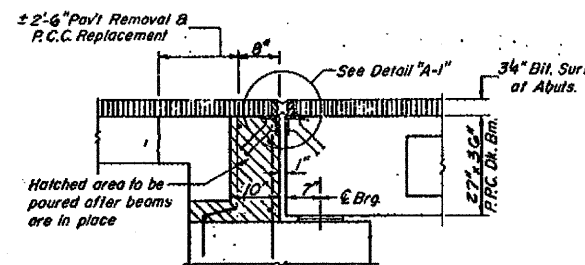
DETAIL "A-1"



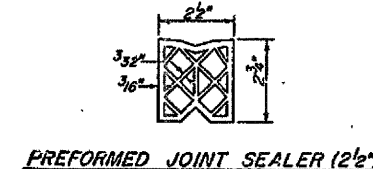
SEC. THRU PIERS



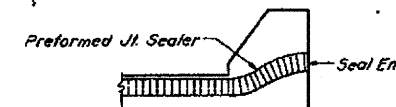
TEMPORARY GUARDRAIL DETAIL
See Special Provisions



SECTION THRU ABUT.



PREFORMED JOINT SEALER (2 1/2")



END OF SEALER TREATMENT

DESIGNED	Charles P. [Signature]	EXAMINED	[Signature]
CHECKED	John A. [Signature]	PASSED	[Signature]
DRAWN	[Signature]	APPROVED	[Signature]
CHECKED	[Signature]		

SEPT 12 1972

SUPERSTRUCTURE DETAILS
K.A. RT. 1 SEC. 25BR
MARION COUNTY
STATION 657+80

FILE NAME =	USER NAME = #USER#	DESIGNED -	REVISED -	STATE OF ILLINOIS DEPARTMENT OF TRANSPORTATION	EXISTING STRUCTURE PLANS FOR INFORMATION ONLY			F.A.M. RTE.	SECTION	COUNTY	TOTAL SHEETS	SHEET NO.	
#FILE#		DRAWN -	REVISED -		SCALE:	SHEET NO. 4 OF 7 SHEETS	STA.	TO STA.	322	25BR-1	MARION	63	50
		CHECKED -	REVISED -									CONTRACT NO. T6A85	
		DATE -	REVISED -									ILLINOIS FED. AID PROJECT	