

MULCH, METHOD 2		TOTAL 7.31 ACRES	
	AREA (SF)	SUBTOTALS (ACRE)	
SHEET 41, STAGE 1	46855	1.08	
SHEET 41, STAGE 2	81991	1.88	
SHEET 42, STAGE 2	16785	0.39	
SHEET 42, STAGE 3	138661	3.18	
SHEET 43, STAGE 3	34094	0.78	

TEMPORARY EROSION CONTROL SEEDING		TOTAL 2924 POUND	
(AT 100 LBS PER ACRE PER APPLICATION, 4 APPLICATIONS)			
	AREA (ACRE)	SUBTOTALS (POUNDS)	
SHEET 41, STAGE 1	1.08	432	
SHEET 41, STAGE 2	1.88	752	
SHEET 42, STAGE 2	0.39	156	
SHEET 42, STAGE 3	3.18	1272	
SHEET 43, STAGE 3	0.78	312	

PERIMETER EROSION BARRIER					TOTAL 8956 FOOT	
	FROM		TO		SUBTOTALS (FOOT)	
	STA	OFF.	STA	OFF.		
SHEET 41, STAGE 1	50+89	49.5', LEFT	56+53	61.7', LEFT	573	
SHEET 41, STAGE 1	56+93	51.1', LEFT	58+26	51.6', LEFT	134	
SHEET 41, STAGE 1	58+37	51.6', LEFT	58+52	51.5', LEFT	15	
SHEET 41, STAGE 1	51+25	49.5', RIGHT	57+97	49.5', RIGHT	672	
SHEET 41, STAGE 1	58+31	49.5', RIGHT	58+52	49.5', RIGHT	21	
SHEET 41, STAGE 2	58+52	51.5', LEFT	60+00	51.4', LEFT	151	
SHEET 41, STAGE 2	58+52	49.5', RIGHT	59+65	49.5', RIGHT	113	
SHEET 41, STAGE 2	59+88	49.5', RIGHT	60+00	49.5', RIGHT	12	
SHEET 41, STAGE 2	60+00	51.4', LEFT	60+15	51.4', LEFT	15	
SHEET 41, STAGE 2	60+39	61.4', LEFT	69+93	57.3', LEFT	1018	
SHEET 41, STAGE 2	60+00	49.5', RIGHT	69+93	59.5', RIGHT	1020	
SHEET 41, STAGE 2	18+00	42.9', LEFT	19+96	42.9', LEFT	196	
SHEET 42, STAGE 2	7+28	30.5', LEFT	9+15	41.4', LEFT	198	
SHEET 42, STAGE 2	9+90	41.3', LEFT	18+00	42.6', LEFT	810	
SHEET 42, STAGE 3	5+98	48.1', LEFT	6+47	42.8', LEFT	58	
SHEET 42, STAGE 3	206+99	18', LEFT	208+44	18.9', LEFT	508	
SHEET 42, STAGE 3	200+68	24', RIGHT	208+44	17.4', RIGHT	978	
SHEET 42, STAGE 3	88+11	25.8', RIGHT	89+24	32.5', RIGHT	116	
SHEET 42, STAGE 3	89+99	32.5', RIGHT	92+22	32.2', RIGHT	222	
SHEET 43, STAGE 3	208+44	19', LEFT	215+77	14.8', LEFT	1141	
SHEET 43, STAGE 3	208+44	17.4', RIGHT	215+77	18.8', RIGHT	985	

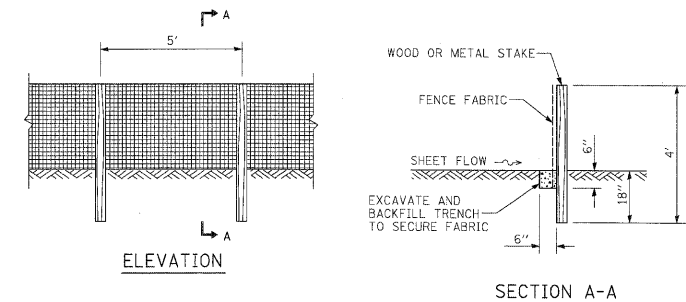
INLET FILTERS		TOTAL 84 EACH	
	STA	OFF.	SUBTOTALS (EACH)
SHEET 41, STAGE 1	50+23.2	35.4', RIGHT	1
SHEET 41, STAGE 1	50+30.0	18.2', RIGHT	1
SHEET 41, STAGE 1	50+56.7	32.4', RIGHT	1
SHEET 41, STAGE 1	50+71.0	17.4', RIGHT	1
SHEET 41, STAGE 1	50+71.2	53', RIGHT	1
SHEET 41, STAGE 1	50+71.0	6.3', LEFT	1
SHEET 41, STAGE 1	51+65.0	20', RIGHT	1
SHEET 41, STAGE 1	51+65.0	12', LEFT	1
SHEET 41, STAGE 1	51+65.0	4', LEFT	1
SHEET 41, STAGE 1	51+87.2	20.6', LEFT	1
SHEET 41, STAGE 1	51+93.8	3', LEFT	1
SHEET 41, STAGE 1	54+22.8	15.5', RIGHT	1
SHEET 41, STAGE 1	55+00.0	15', LEFT	1
SHEET 41, STAGE 1	56+26.4	46.3', LEFT	1
SHEET 41, STAGE 1	56+60.0	40', LEFT	1
SHEET 41, STAGE 1	57+49.5	20.6', RIGHT	1
SHEET 41, STAGE 1	57+50.0	20.7', LEFT	1
SHEET 41, STAGE 1	58+24.0	39.7', LEFT	1
SHEET 41, STAGE 1	58+40.0	39.8', LEFT	1
SHEET 41, STAGE 2	59+50.0	49.2', LEFT	1
SHEET 41, STAGE 2	59+50.0	37', LEFT	1
SHEET 41, STAGE 2	59+50.0	19.5', LEFT	1
SHEET 41, STAGE 2	59+50.0	19.5', RIGHT	1

INLET FILTERS (CONTINUED)			
	STA	OFF.	SUBTOTALS (EACH)
SHEET 41, STAGE 2	60+08.3	39.6', LEFT	1
SHEET 41, STAGE 2	60+09.6	41', RIGHT	1
SHEET 41, STAGE 2	60+72.3	16', RIGHT	1
SHEET 41, STAGE 2	60+76.5	37.8', LEFT	1
SHEET 41, STAGE 2	61+75.0	20', LEFT	1
SHEET 41, STAGE 2	61+75.6	29', LEFT	1
SHEET 41, STAGE 2	62+00.0	56.8', LEFT	1
SHEET 41, STAGE 2	62+00.0	20.4', RIGHT	1
SHEET 41, STAGE 2	62+28.0	10.8', LEFT	1
SHEET 41, STAGE 2	62+55.4	78.9', LEFT	1
SHEET 41, STAGE 2	62+74.2	31', LEFT	1
SHEET 41, STAGE 2	62+79.7	30', LEFT	1
SHEET 41, STAGE 2	63+85.0	20.5', RIGHT	1
SHEET 41, STAGE 2	63+85.0	20.5', LEFT	1
SHEET 41, STAGE 2	64+00.0	33', RIGHT	1
SHEET 41, STAGE 2	64+00.0	19.5', RIGHT	1
SHEET 41, STAGE 2	64+00.0	20', LEFT	1
SHEET 41, STAGE 2	64+37.8	47.7', RIGHT	1
SHEET 41, STAGE 2	64+42.9	50.3', LEFT	1
SHEET 41, STAGE 2	64+74.0	20.5', LEFT	1
SHEET 41, STAGE 2	64+74.0	34.4', RIGHT	1
SHEET 41, STAGE 2	64+74.0	20', RIGHT	1
SHEET 41, STAGE 2	67+00.0	32', RIGHT	1
SHEET 41, STAGE 2	68+38.0	51.8', RIGHT	1
SHEET 41, STAGE 2	68+38.9	42.6', RIGHT	1
SHEET 41, STAGE 2	68+42.9	30.7', RIGHT	1
SHEET 41, STAGE 2	68+82.2	41.9', RIGHT	1
SHEET 41, STAGE 2	68+93.9	30.4', RIGHT	1
SHEET 41, STAGE 2	69+62.0	52.0', RIGHT	1
SHEET 41, STAGE 2	69+63.0	41.0', RIGHT	1
SHEET 41, STAGE 2	69+66.2	30', RIGHT	1
SHEET 41, STAGE 2	69+68.3	36', LEFT	1
SHEET 41, STAGE 2	69+74.0	24', RIGHT	1
SHEET 41, STAGE 2	69+74.0	26.2', LEFT	1
SHEET 41, STAGE 2	69+93.0	33', LEFT	1
SHEET 41, STAGE 2	69+93.0	38', RIGHT	1
SHEET 41, STAGE 2	70+17.7	75.3', LEFT	1
SHEET 41, STAGE 2	70+57.8	61.6', LEFT	1
SHEET 41, STAGE 2	70+59.0	43', RIGHT	1
SHEET 41, STAGE 2	70+61.2	23', LEFT	1
SHEET 41, STAGE 2	70+69.7	27', LEFT	1
SHEET 41, STAGE 2	18+21.0	21', RIGHT	1
SHEET 42, STAGE 2	7+31.0	23.5', RIGHT	1
SHEET 42, STAGE 2	7+84.5	7.6', RIGHT	1
SHEET 42, STAGE 2	8+50.9	26.8', RIGHT	1
SHEET 42, STAGE 2	8+77.9	24.8', RIGHT	1
SHEET 42, STAGE 2	8+78.4	21.9', LEFT	1
SHEET 42, STAGE 2	10+07.3	24.6', RIGHT	1
SHEET 42, STAGE 2	10+55.9	25', RIGHT	1
SHEET 42, STAGE 2	11+25.7	82.8', RIGHT	1
SHEET 42, STAGE 2	11+27.6	53.9', RIGHT	1
SHEET 42, STAGE 2	12+56.4	25.8', RIGHT	1
SHEET 42, STAGE 2	12+77.5	28', RIGHT	1
SHEET 42, STAGE 2	12+97.2	25.3', RIGHT	1
SHEET 42, STAGE 2	15+03.9	21.2', RIGHT	1
SHEET 42, STAGE 2	15+69.5	20.8', RIGHT	1
SHEET 42, STAGE 3	5+44.2	8.3', RIGHT	1
SHEET 42, STAGE 3	5+45.1	10.1', LEFT	1
SHEET 42, STAGE 3	86+28.8	12.7', LEFT	1
SHEET 42, STAGE 3	89+67.0	18.6', RIGHT	1
SHEET 42, STAGE 3	92+17.7	18', RIGHT	1

SEDIMENT CONTROL, STABILIZED CONSTRUCTION ENTRANCE REMOVAL		TOTAL 3 EACH	
	STA	SUBTOTALS (EACH)	
SHEET 41, STAGE 1	-	-	
SHEET 41, STAGE 2	69+44	1	
SHEET 42, STAGE 2	9+15	1	
SHEET 42, STAGE 3	89+24	1	
SHEET 43, STAGE 3	-	-	

SEDIMENT CONTROL, STABILIZED CONSTRUCTION ENTRANCE		TOTAL 750 SQ YD	
	STA	SUBTOTALS (SQUARE YARD)	
SHEET 41, STAGE 1	-	-	
SHEET 41, STAGE 2	69+44	250	
SHEET 42, STAGE 2	9+15	250	
SHEET 42, STAGE 3	89+24	250	
SHEET 43, STAGE 3	-	-	

SEDIMENT CONTROL, STABILIZED CONSTRUCTION ENTRANCE MAINTENANCE		TOTAL 750 SQ YD	
	STA	SUBTOTALS (SQUARE YARD)	
SHEET 41, STAGE 1	-	-	
SHEET 41, STAGE 2	69+44	250	
SHEET 42, STAGE 2	9+15	250	
SHEET 42, STAGE 3	89+24	250	
SHEET 43, STAGE 3	-	-	



SILT FILTER FENCE AS A PERIMETER EROSION BARRIER