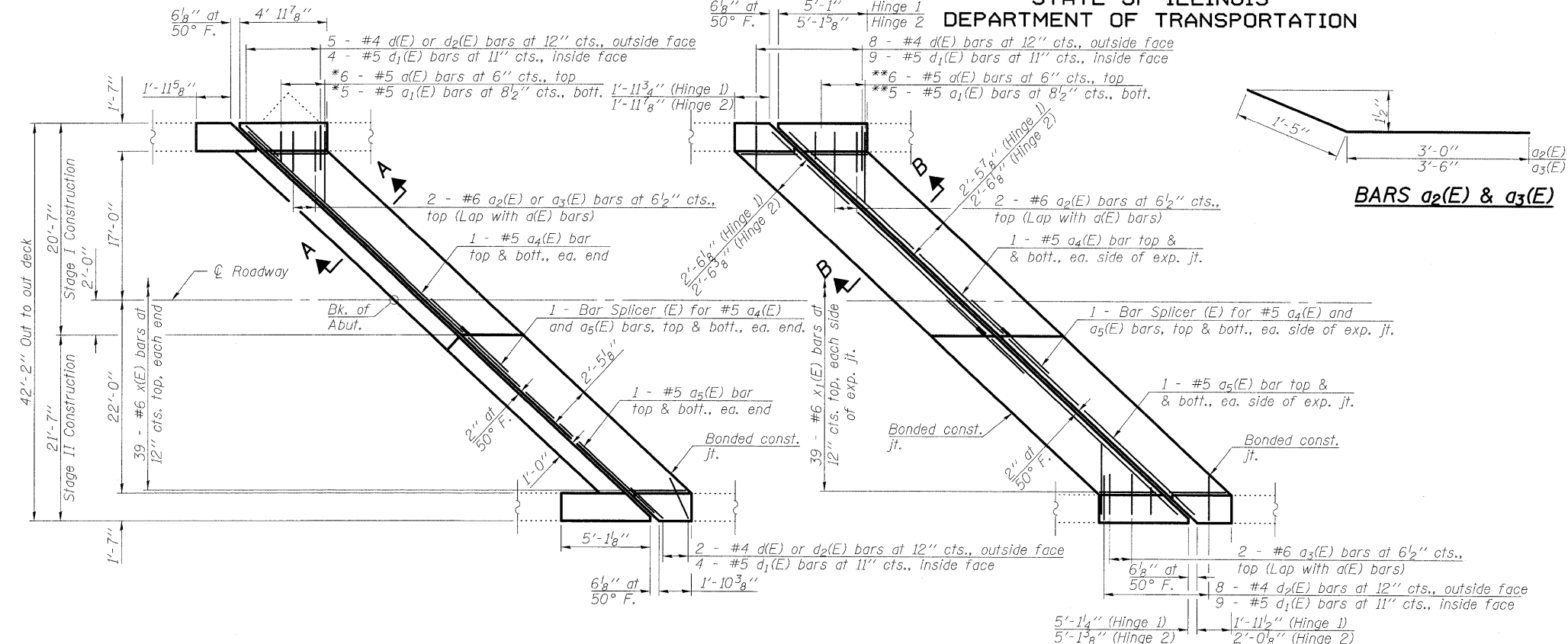
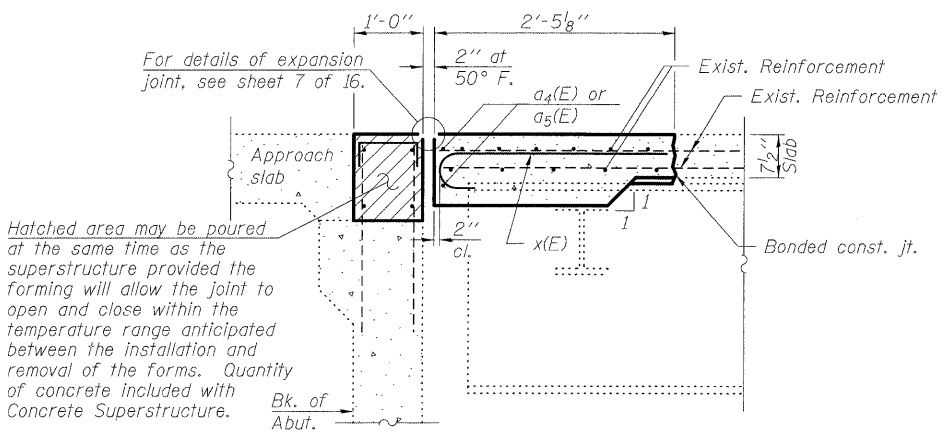


STATE OF ILLINOIS
DEPARTMENT OF TRANSPORTATION

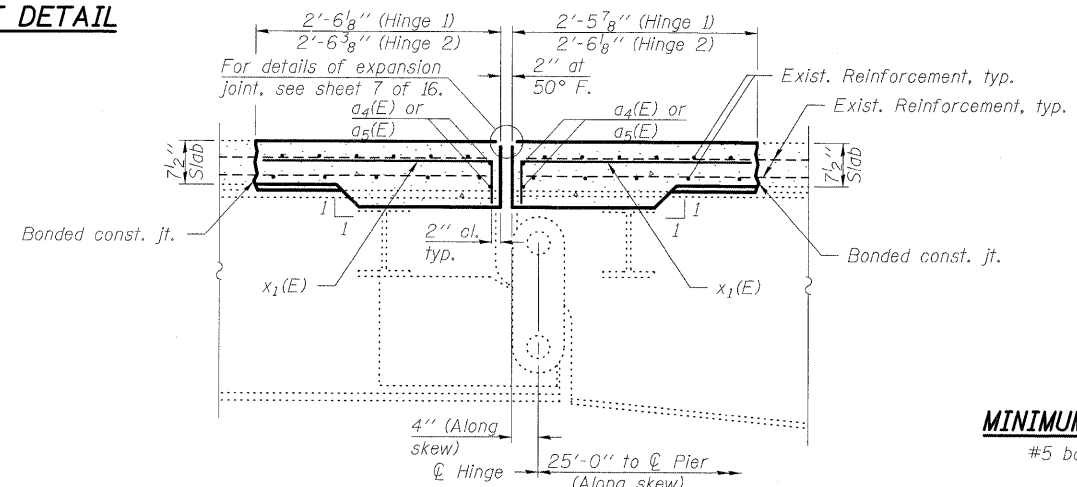
* Order d(E) & a₁(E) bars full length. Cut to fit skew and use remainder of bars in opposite end.
** Order d(E) & a₁(E) bars full length. Cut to fit skew and use remainder of bars on other side of exp. jt.



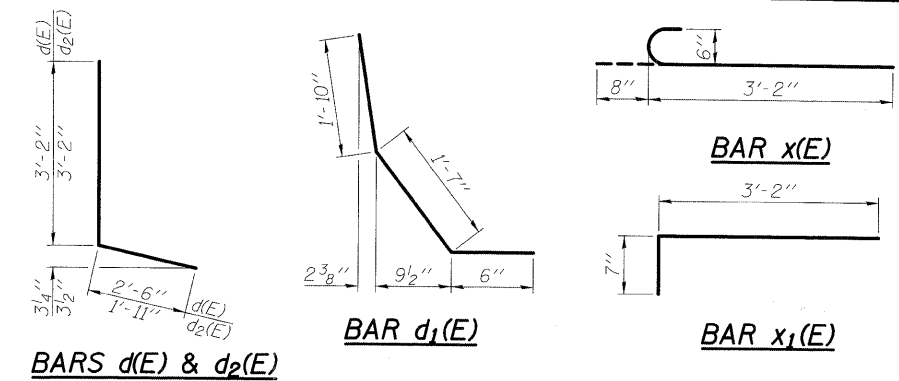
S. Abut. - E.B. Rdwy
N. Abut. - W.B. Rdwy
PARTIAL PLAN OF REINFORCEMENT DETAIL



SECTION A-A
(Horz. dim. at right L's)



SECTION B-B
(Horz. dim. at right L's)

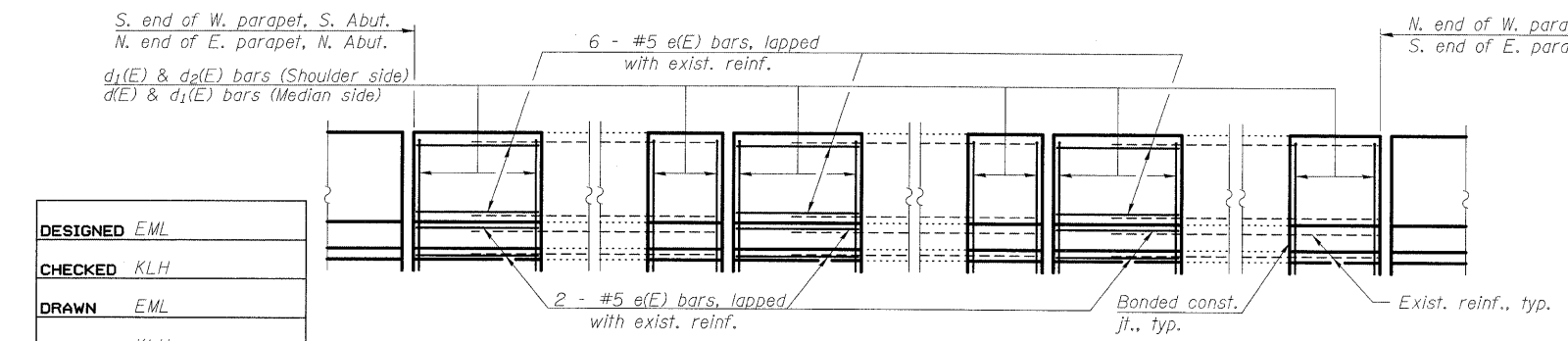


SECTION THRU PARAPET

**SUPERSTRUCTURE
BILL OF MATERIAL
TWO STRUCTURES**

Bar	No.	Size	Length	Shape
a(E)	36	#5	5'-8"	—
a ₁ (E)	30	#5	5'-6"	—
a ₂ (E)	12	#6	4'-5"	—
a ₃ (E)	12	#6	4'-11"	—
a ₄ (E)	24	#5	27'-0"	—
a ₅ (E)	24	#5	28'-0"	—
d(E)	46	#4	5'-8"	—
d ₁ (E)	104	#5	3'-11"	—
d ₂ (E)	46	#4	5'-1"	—
e(E)	120	#5	3'-4"	—
x(E)	156	#6	3'-10"	C
x ₁ (E)	312	#6	3'-9"	—
Concrete Removal		Cu. Yds.	87.3	
Reinforcement Bars, Epoxy Coated		Pound	5,770	
Concrete Superstructure		Cu. Yds.	87.1	
Bar Splicers		Each	40	

MINIMUM BAR LAP
#5 bar = 3'-0"



INSIDE ELEVATION OF PARAPET

DESIGNED	EML
CHECKED	KLH
DRAWN	EML
CHECKED	KLH

Notes:
Dimensions are based on a Rolled Rail Strip Seal Joint. If the Contractor elects to use the Welded Rail Strip Seal Joint, deck dimensions may require adjustments to satisfy the details on sheet 7 of 16.
Existing reinforcement shall be cleaned and incorporated into the new construction. Cost included with Concrete Removal.
Cut ends of existing reinforcement bars extending into new construction to maintain 1/2" minimum clearance.
For details of Bar Splicers, see sheet 16 of 16.
For superstructure Concrete Removal details, see sheet 5 of 16.

**SUPERSTRUCTURE REPAIR DETAILS
STRUCTURE NO. 060-0014 (E.B.)
STRUCTURE NO. 060-0015 (W.B.)**



SHEET NO. 6 16 SHEETS	F.A.I. RTE.	SECTION	COUNTY	TOTAL SHEETS	SHEET NO.
	70	60-(6,7)BR	MADISON	185	134
FED. ROAD DIST. NO.			ILLINOIS FED. AID PROJECT		
CONTRACT NO. 76C56					