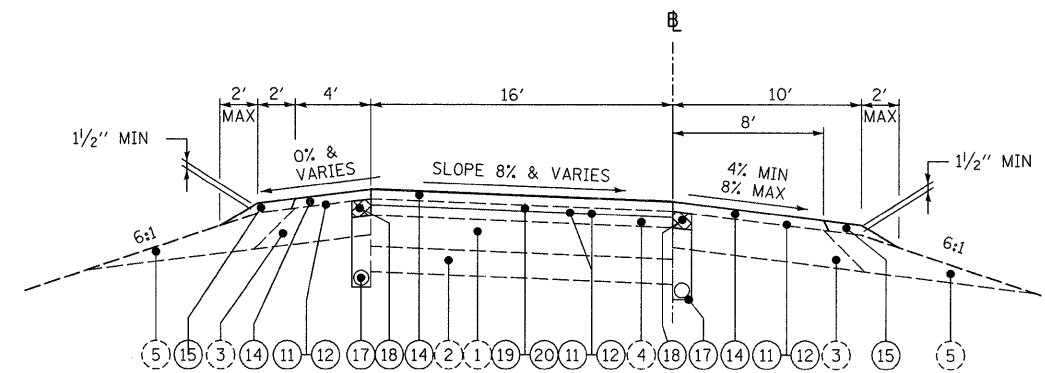
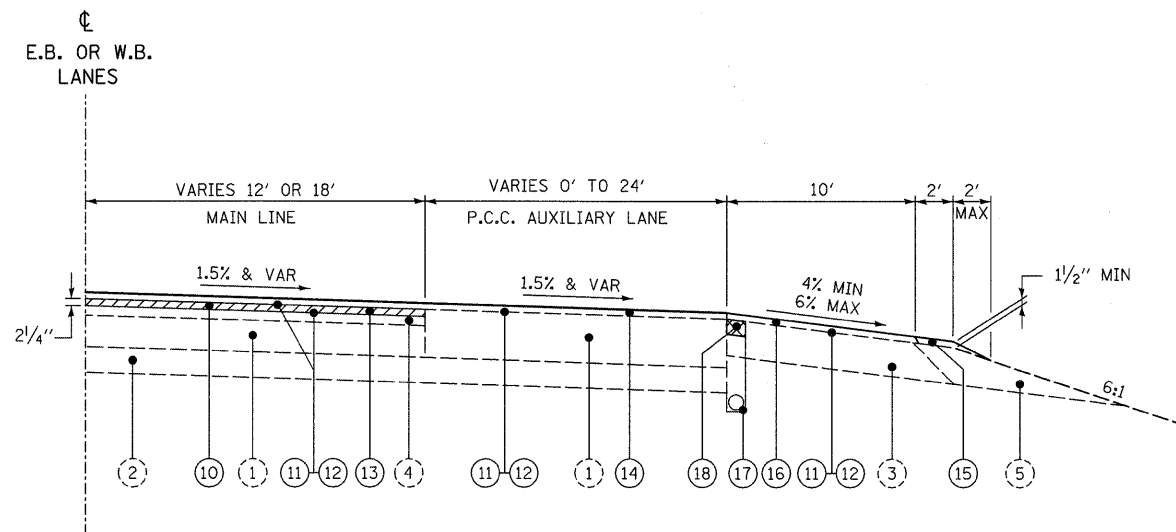


F.A.I. ROUTE 70
24' PAVEMENT RAMPS
TYPICAL SECTION



F.A.I. ROUTE 70
16' PAVEMENT RAMPS
TYPICAL SECTION

NOTE: RAMP SHOULDER RESURFACING ON ONE LANE RAMPS SHALL BE PAID FOR AS HMA SURFACE COURSE. ON TWO LANE RAMPS, RAMP SHOULDER RESURFACING WILL BE PAID FOR AS HMA SHOULDERS.



F.A.I. ROUTE 70
TYPICAL PCC AUXILIARY LANE SECTION

LEGEND

- | | | |
|---|---|--|
| ① EXISTING P.C.C. CONCRETE | ⑩ PROPOSED HOT-MIX ASPHALT SURFACE REMOVAL 2 1/4" (UNLESS NOTED) | ⑰ PROPOSED PIPE UNDERDRAINS, 4" |
| ② EXISTING 8" SUB-BASE GRANULAR MATERIAL TYPE A | ⑪ PROPOSED BITUMINOUS MATERIALS (PRIME COAT) | ⑱ PROPOSED HOT-MIX ASPHALT SURFACE REMOVAL 1" |
| ③ EXISTING HMA SHOULDERS | ⑫ PROPOSED AGGREGATE (PRIME COAT) | ⑳ PROPOSED LEVELING BINDER (MACHINE METHOD), N90, 1" |
| ④ EXISTING HMA SURFACE | ⑬ PROPOSED POLYMERIZED HOT-MIX ASPHALT BINDER COURSE, IL-19.0, N90, 2 1/4" | |
| ⑤ EXISTING AGGREGATE SHOULDERS | ⑭ PROPOSED POLYMERIZED HOT-MIX ASPHALT SURFACE COURSE, STONE MATRIX ASPHALT, N80 2" | |
| ⑥ EXISTING INLAYED ASPHALT SURFACE | ⑮ PROPOSED AGGREGATE SHOULDERS, TYPE B | |
| | ⑯ PROPOSED HOT-MIX ASPHALT SHOULDERS, 2" | |

STATE OF ILLINOIS
DEPARTMENT OF TRANSPORTATION

HORNER & SHIRIN, INC.
ENGINEERS

TYPICAL SECTIONS
F.A.I. 70 PROPOSED

F.A.I. RTE.	SECTION	COUNTY	TOTAL SHEETS	SHEET NO.
70	60-(5,6,7)RS, 60-(6,7)BR	MADISON	185	12
FED. ROAD DIST. NO.			ILLINOIS FED. AID PROJECT	
			CONTRACT NO. 76C56	

SCALE: NONE

SHEET NO. 3 OF 3 SHEETS STA. TO STA.

LAST SAVED = 9/11/2009
PEN TABLE = VB.tbl
PLOT DRIVER = TR-Micro6204-TopFile.plt

FILE NAME =	USER NAME = sdonahue	DESIGNED -	REVISED -
\\08090\work_order_3\ced\plans\087656-Sht-Typical.dgn		DRAWN -	REVISED -
PLOT SCALE = 5.0002' / IN.		CHECKED -	REVISED -
PLOT DATE = 9/16/2009 8:51:39 PM		DATE -	REVISED -