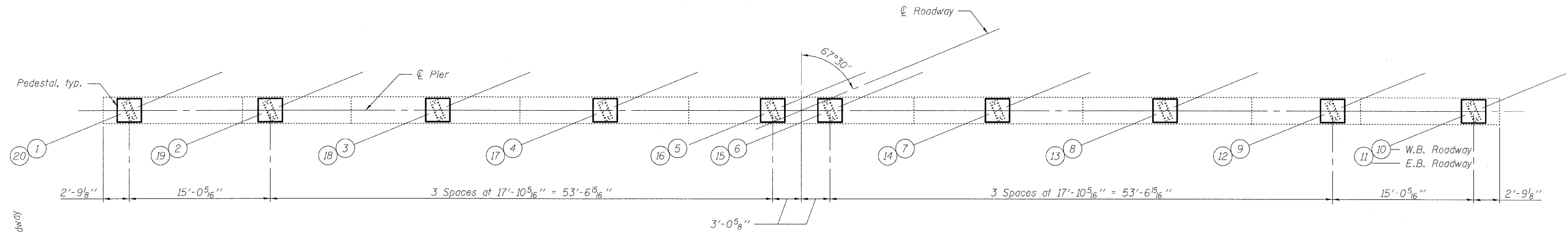
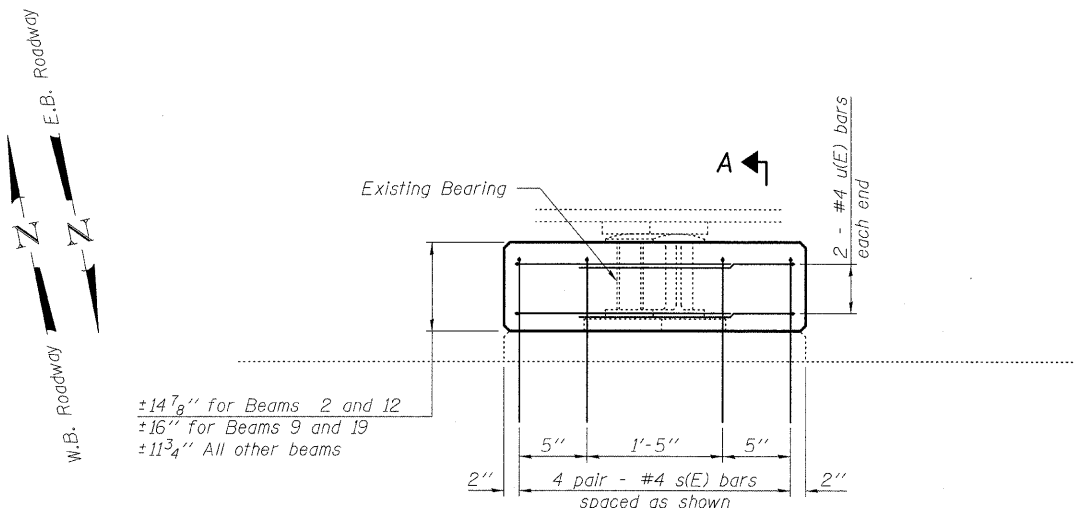


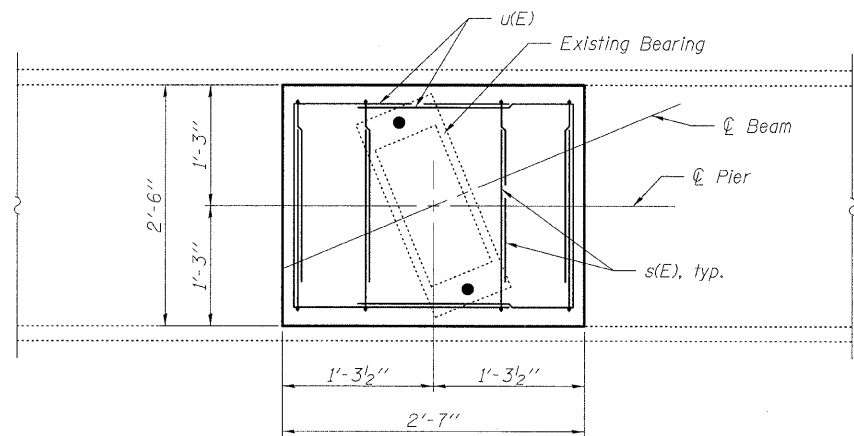
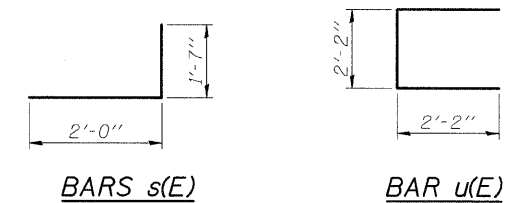
STATE OF ILLINOIS
DEPARTMENT OF TRANSPORTATION



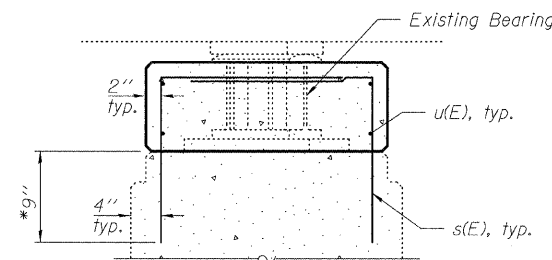
PLAN OF CAP



ELEVATION OF PEDESTAL



PLAN OF PEDESTAL



SECTION A-A

BILL OF MATERIAL
TWO STRUCTURES

Bar	No.	Size	Length	Shape
s(E)	160	#4	3'-7"	L
u(E)	80	#4	6'-6"	□
Concrete Structures			Cu. Yd.	5.0
Reinforcement Bars, Epoxy Coated			Pound	730

PIER 1 DETAILS
STRUCTURE NO. 060-0010 (E.B.)
STRUCTURE NO. 060-0011 (W.B.)

DESIGNED	JJD
CHECKED	EML
DRAWN	JJD
CHECKED	EML

Note:
If there is difficulty placing the s(E) bar due to the existing beam as shown, the Contractor is to adjust the bar spacing as necessary keeping it as close as possible to the original location.

HORNER & SHIFRIN, INC.
ENGINEERS

SHEET NO. 7 7 SHEETS	F.A.I. RTE.	SECTION	COUNTY	TOTAL SHEETS	SHEET NO.
	70	60-(5,6,7)RS, 60-(6,7)BR	MADISON	185	96
CONTRACT NO. 76C56					
FED. ROAD DIST. NO. ILLINOIS FED. AID PROJECT					