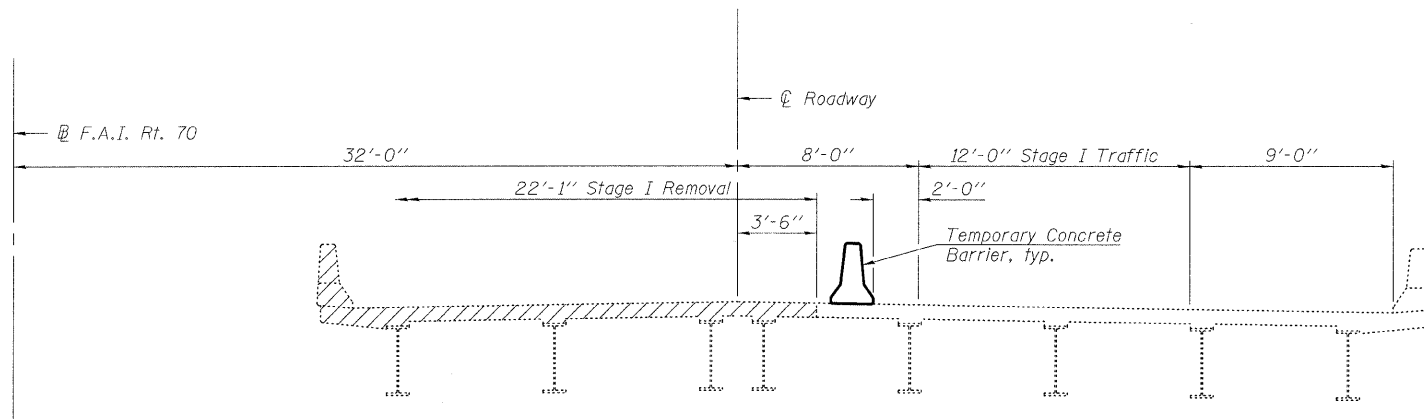
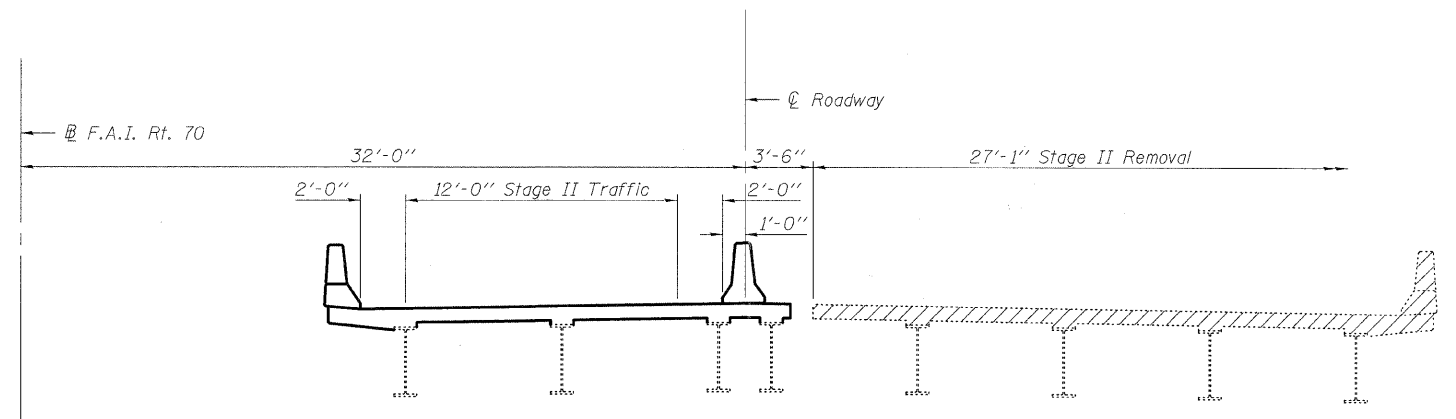


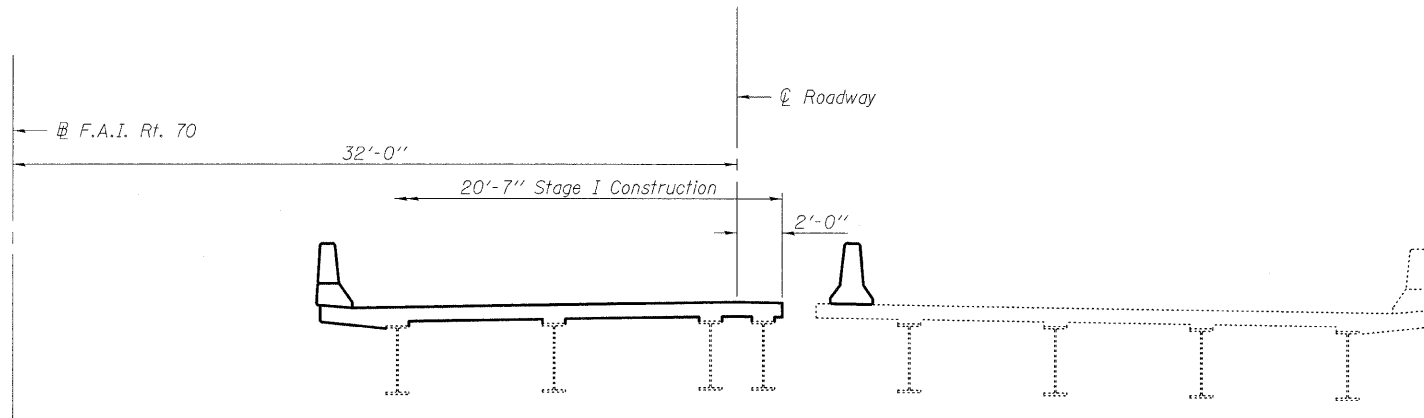
STATE OF ILLINOIS
DEPARTMENT OF TRANSPORTATION



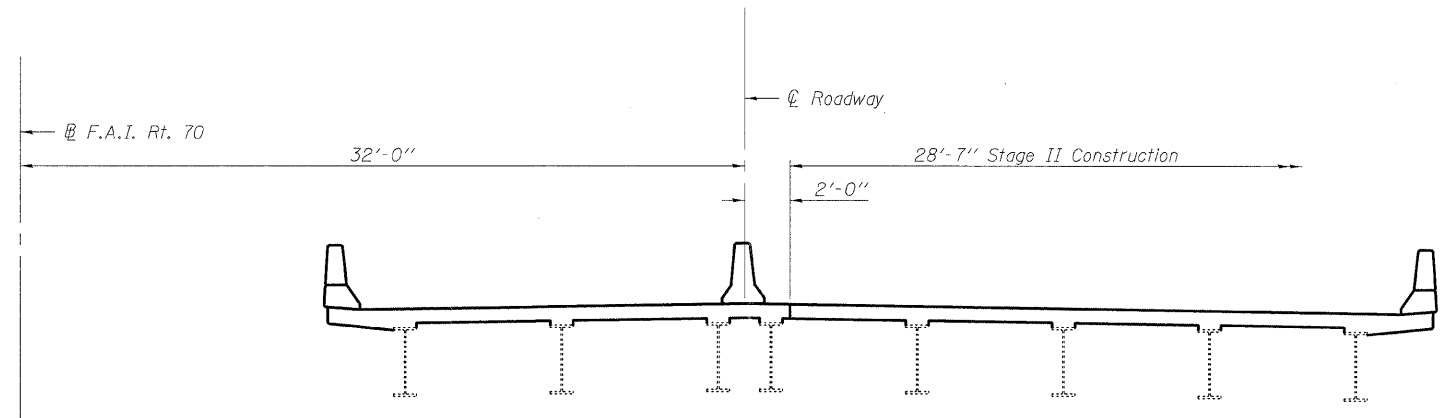
STAGE I REMOVAL



STAGE II REMOVAL



STAGE I CONSTRUCTION



STAGE II CONSTRUCTION

Notes:
All sections are looking east for E.B. Roadway, and west for W.B. Roadway.
For quantity of Temporary Concrete Barrier, see roadway plans.
Hatched area indicates Concrete Removal.
Stage removal and construction shown in sections is limited to expansion joint end blocks.

DESIGNED	EML
CHECKED	JJD
DRAWN	EML
CHECKED	JJD

STAGE CONSTRUCTION DETAILS
STRUCTURE NO. 060-0012 (E.B.)
STRUCTURE NO. 060-0013 (W.B.)

HORNER & SHIFRIN, INC.
ENGINEERS

SHEET NO. 3 14 SHEETS	F.A.I. RTE.	SECTION	COUNTY	TOTAL SHEETS	SHEET NO.
	70	60-(5,6,7)RS, 60-(6,7)BR	MADISON	185	117
CONTRACT NO. 76C56					
FED. ROAD DIST. NO.		ILLINOIS FED. AID PROJECT			