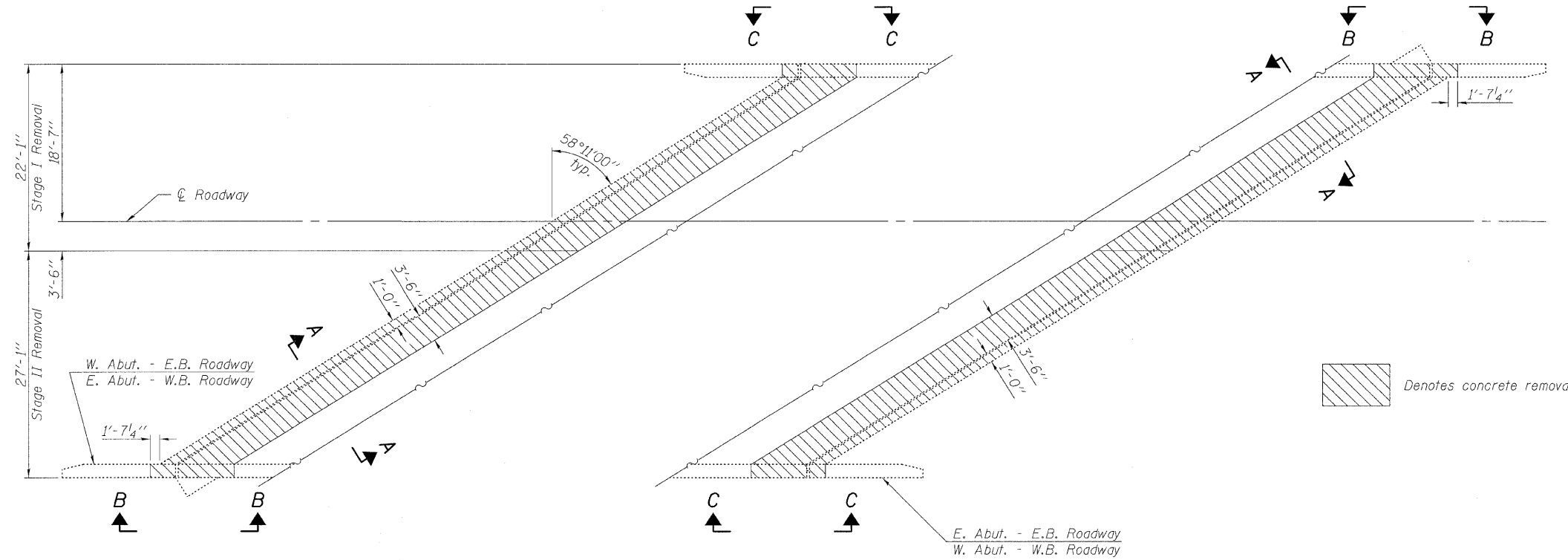
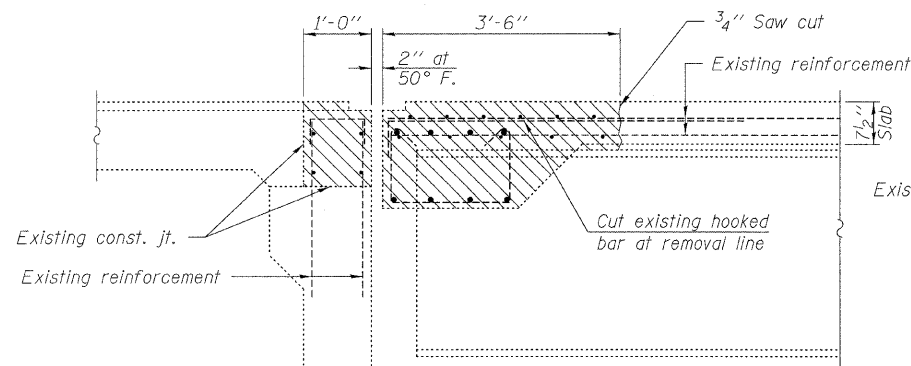


STATE OF ILLINOIS
DEPARTMENT OF TRANSPORTATION

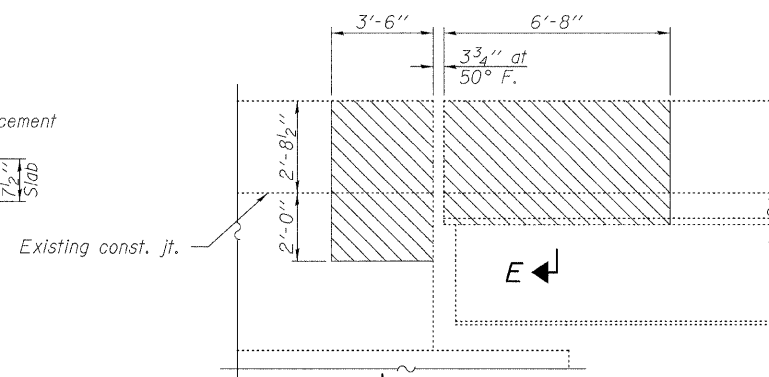


PLAN OF REMOVAL DETAIL

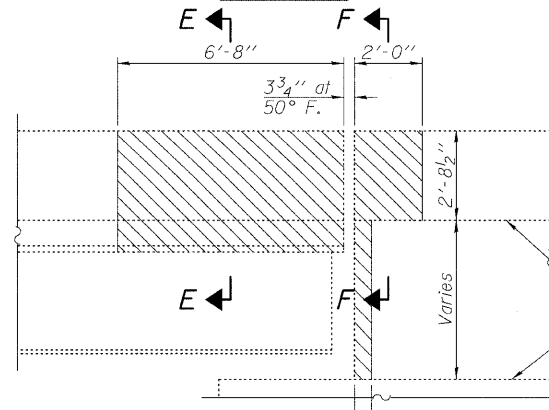


SECTION A-A

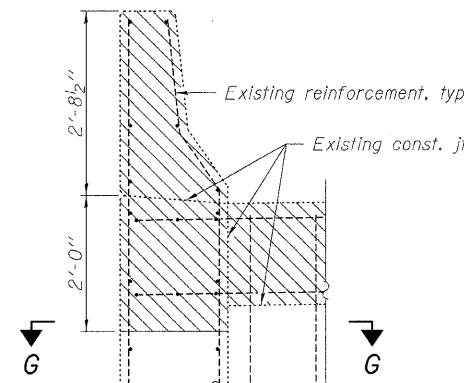
(Horz. dim. at right L's)



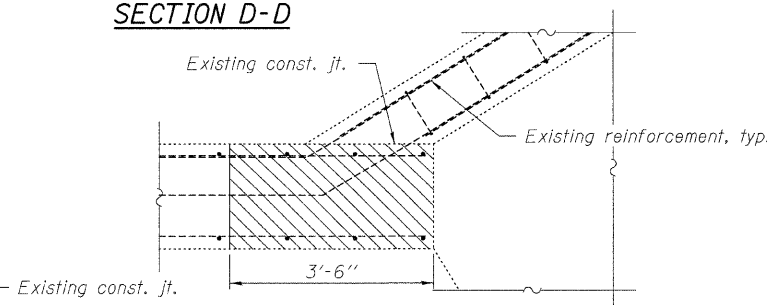
VIEW B-B



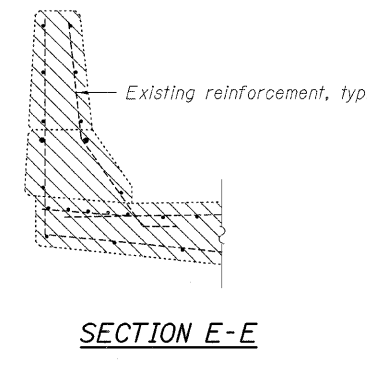
VIEW C-C



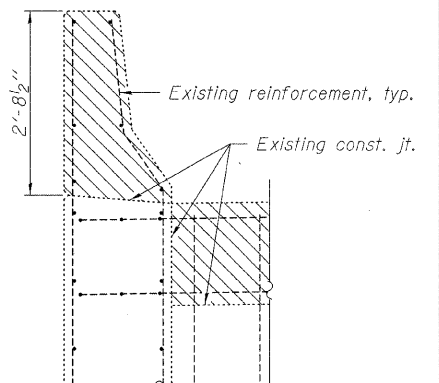
SECTION D-D



SECTION G-G



SECTION E-E



SECTION F-F

DESIGNED	EML
CHECKED	JJD
DRAWN	EML
CHECKED	JJD

HORNER & SHIFRIN, INC.
ENGINEERS

SHEET NO. 5
14 SHEETS

F.A.I. RTE.	SECTION	COUNTY	TOTAL SHEETS	SHEET NO.
70	60-(5,6,7)RS, 60-(6,7)BR	MADISON	185	119
CONTRACT NO. 76C56				
FED. ROAD DIST. NO. ILLINOIS FED. AID PROJECT				

REMOVAL DETAILS
STRUCTURE NO. 060-0012 (E.B.)
STRUCTURE NO. 060-0013 (W.B.)