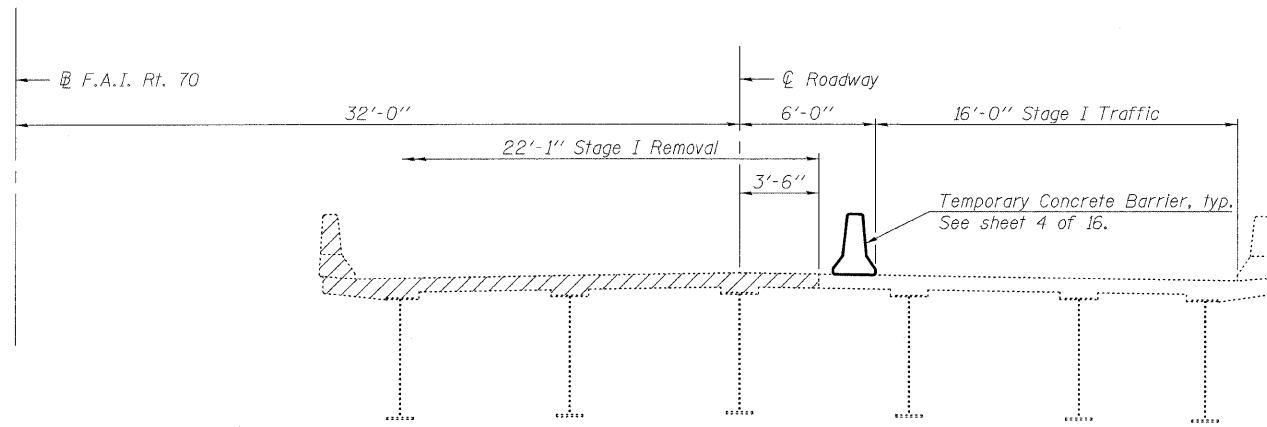
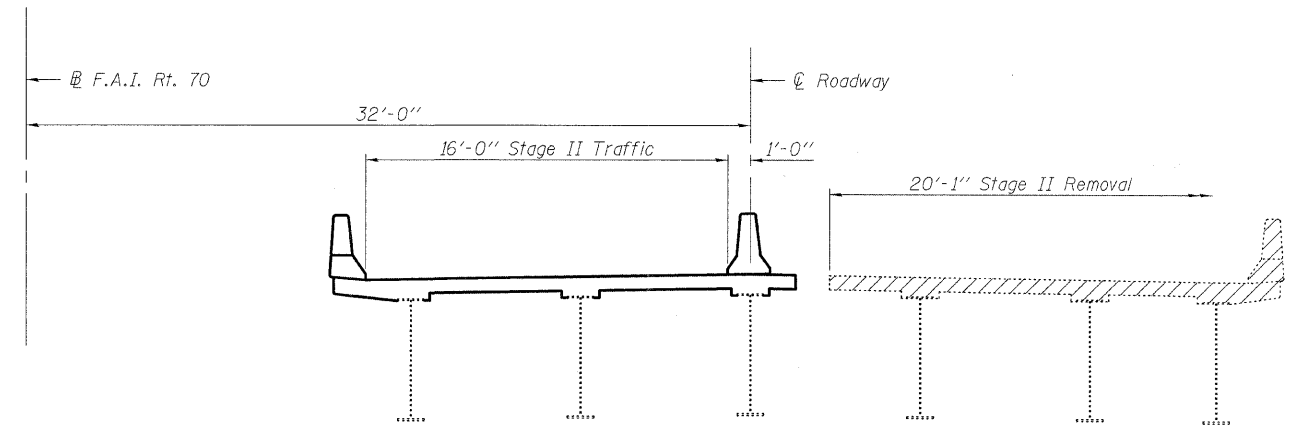


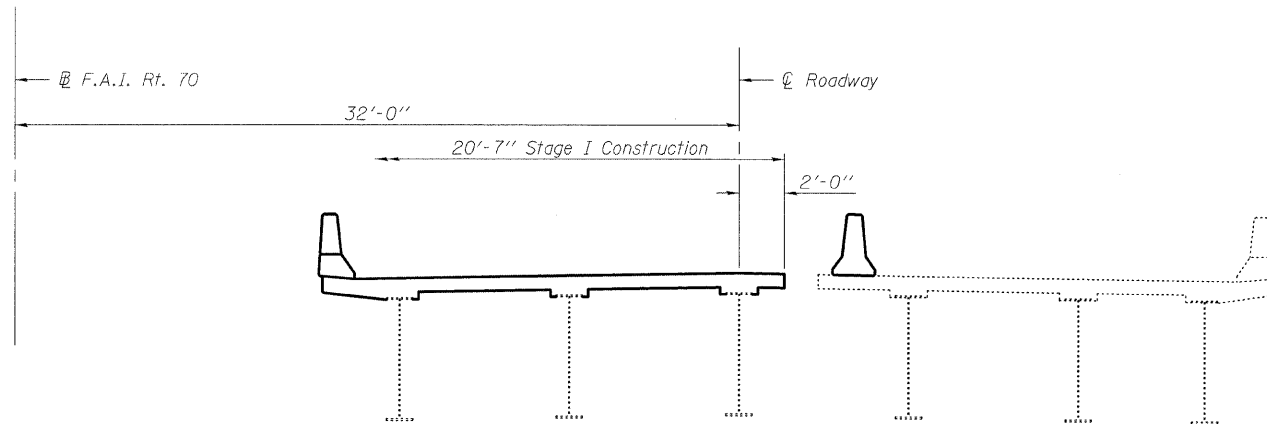
STATE OF ILLINOIS
DEPARTMENT OF TRANSPORTATION



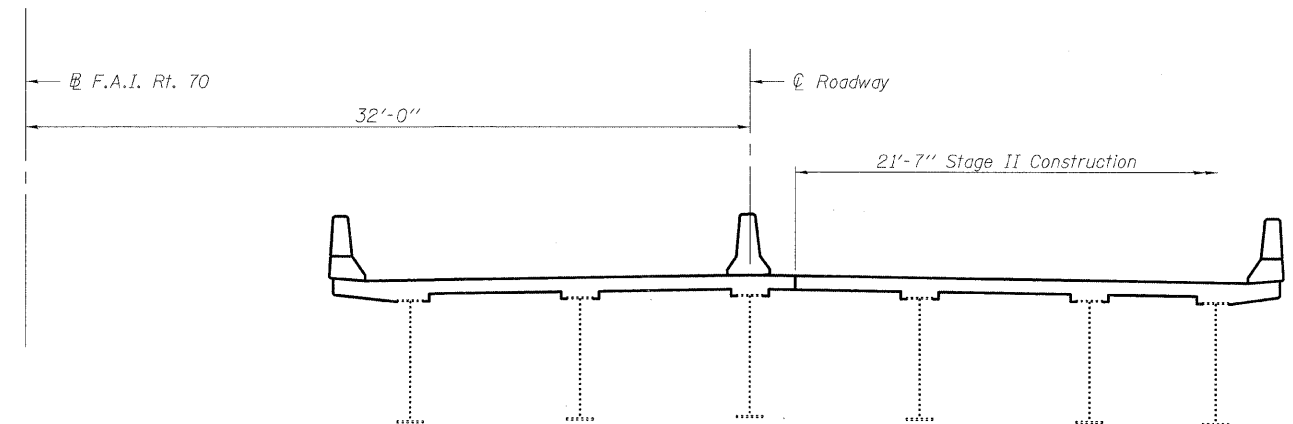
STAGE I REMOVAL



STAGE II REMOVAL



STAGE I CONSTRUCTION



STAGE II CONSTRUCTION

Notes:
All sections are looking north for E.B. Roadway, and south for W.B. Roadway.
For quantity of Temporary Concrete Barrier, see roadway plans.
Hatched area indicates Concrete Removal.
Stage removal and construction shown in sections are limited to expansion joint end blocks.

DESIGNED	EML
CHECKED	KLH
DRAWN	EML
CHECKED	KLH

STAGE CONSTRUCTION DETAILS
STRUCTURE NO. 060-0014 (E.B.)
STRUCTURE NO. 060-0015 (W.B.)

**HORNER &
SHIFRIN, INC.**
ENGINEERS

SHEET NO. 3 16 SHEETS	F.A.I. RTE.	SECTION	COUNTY	TOTAL SHEETS	SHEET NO.
	70	60-(6,7)BR	MADISON	185	131
			CONTRACT NO. 76C56		
FED. ROAD DIST. NO.		ILLINOIS FED. AID PROJECT			