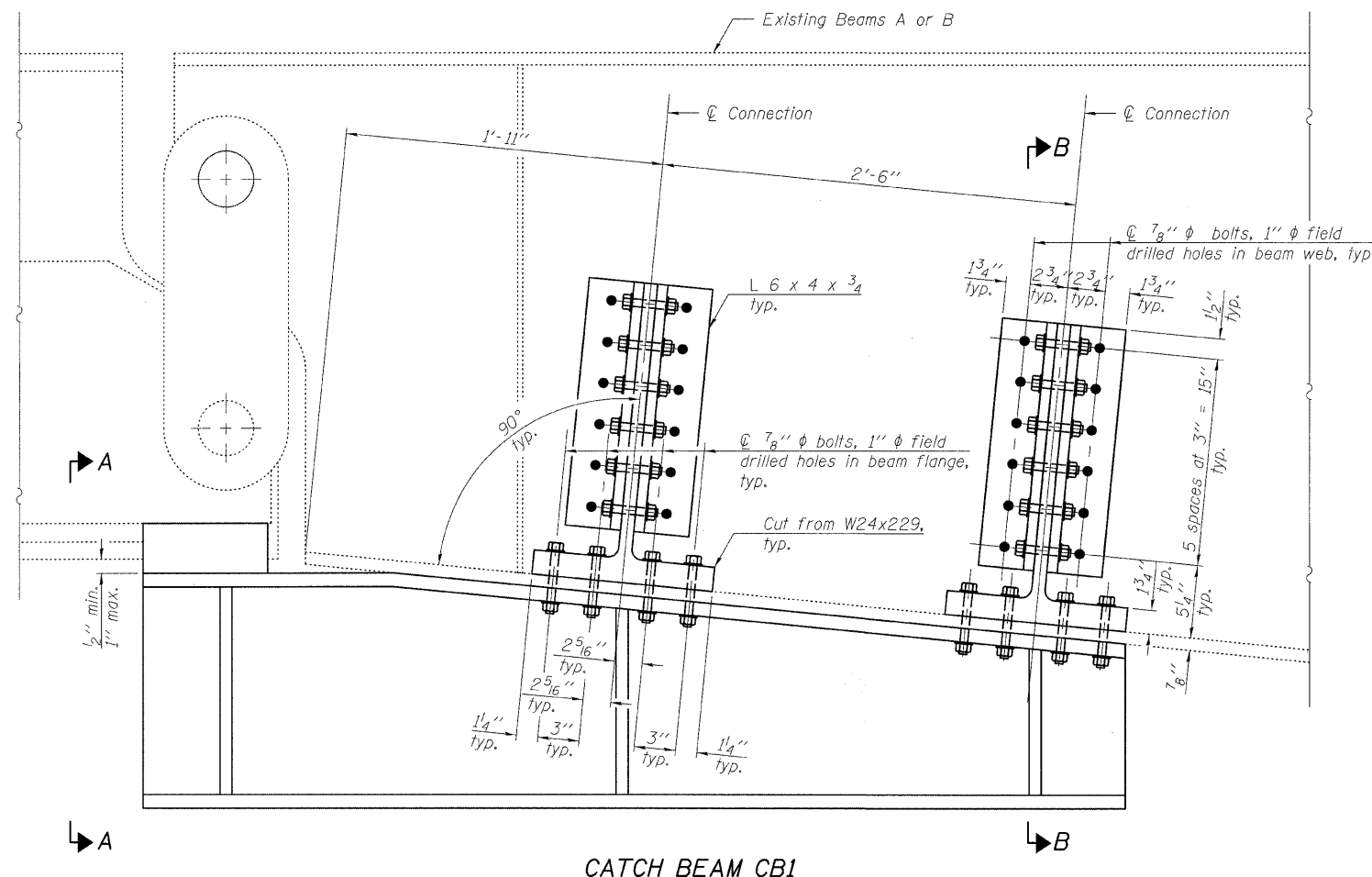
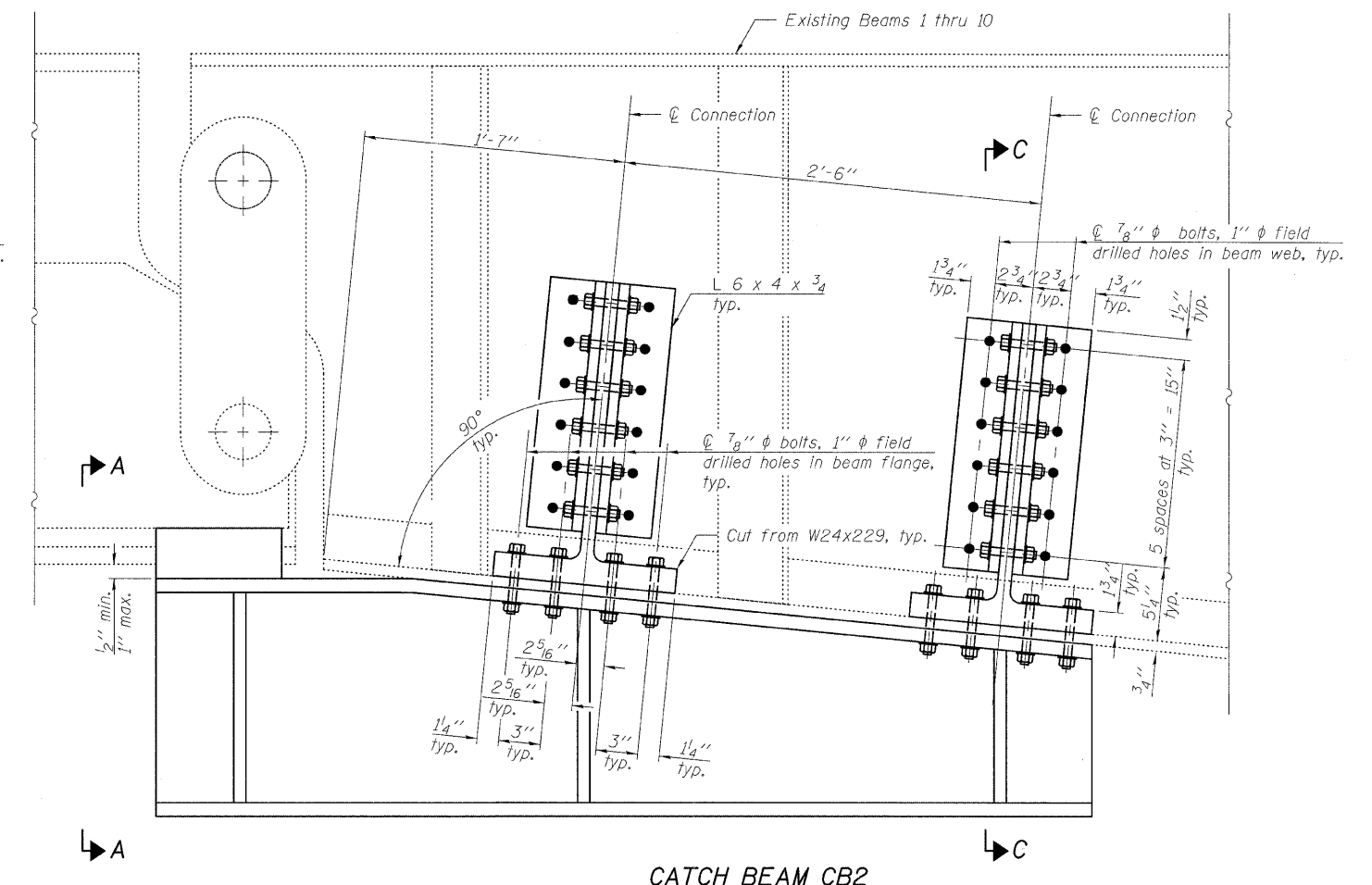


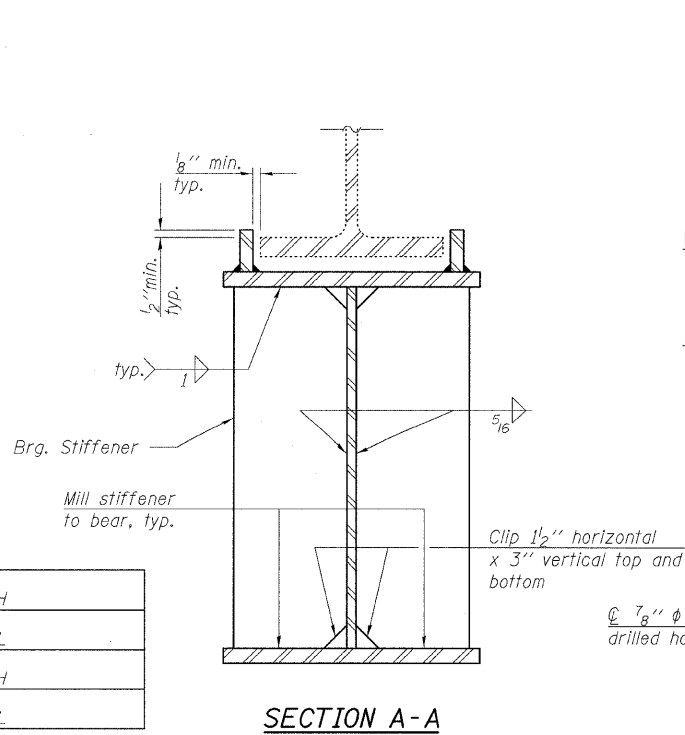
STATE OF ILLINOIS
DEPARTMENT OF TRANSPORTATION



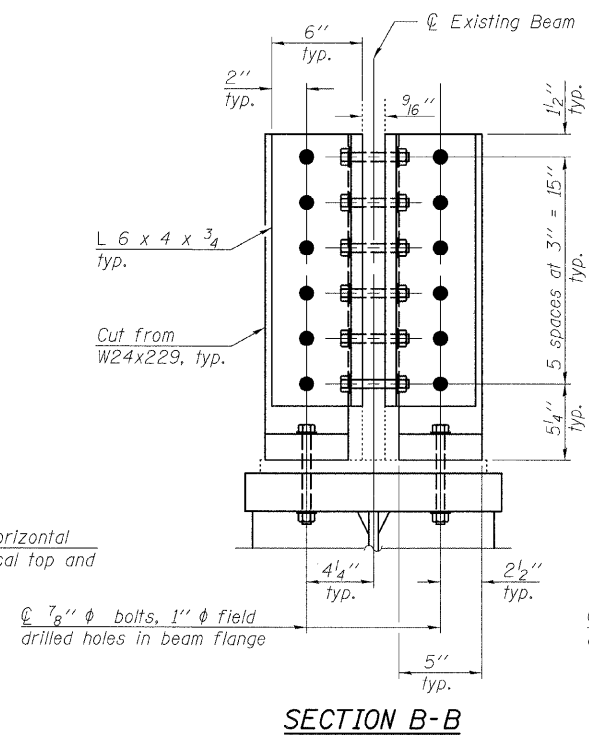
CATCH BEAM CB1



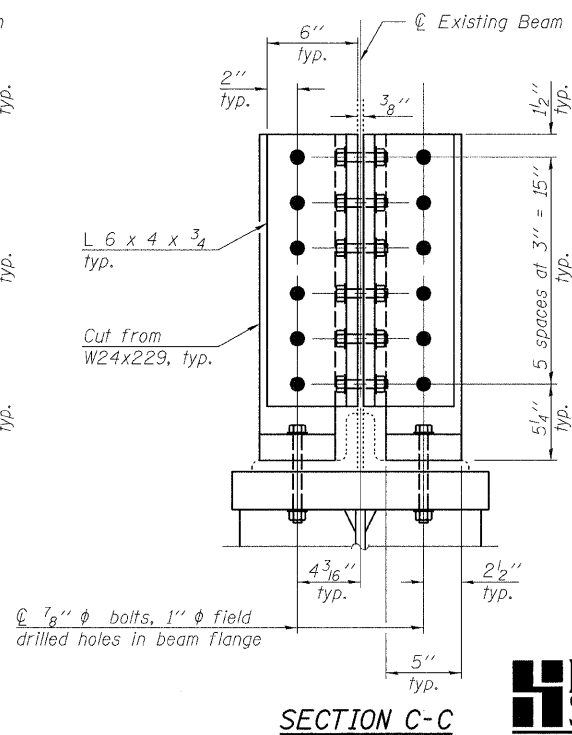
CATCH BEAM CB2



SECTION A-A



SECTION B-B



SECTION C-C

Notes:
For catch beam locations, see sheet B of 16.
For catch beam notes, see sheet 10 of 16.

DESIGNED	KLH
CHECKED	EML
DRAWN	KLH
CHECKED	EML

HORNER & SHIFRIN, INC.
ENGINEERS

SHEET NO. 9 16 SHEETS	F.A.I. RTE. 70	SECTION 60-(6,7)BR	COUNTY MADISON	TOTAL SHEETS 185	SHEET NO. 137
	CONTRACT NO. 76C56				
FED. ROAD DIST. NO.		ILLINOIS FED. AID PROJECT			

STRUCTURAL STEEL DETAILS I
STRUCTURE NO. 060-0014 (E.B.)
STRUCTURE NO. 060-0015 (W.B.)