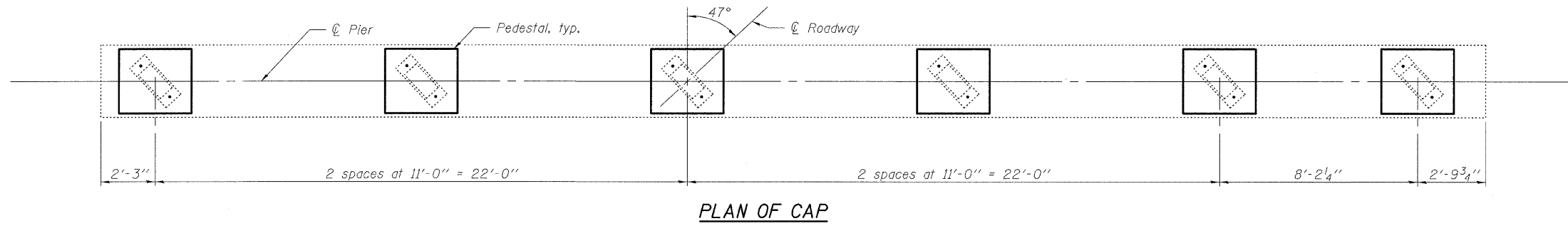
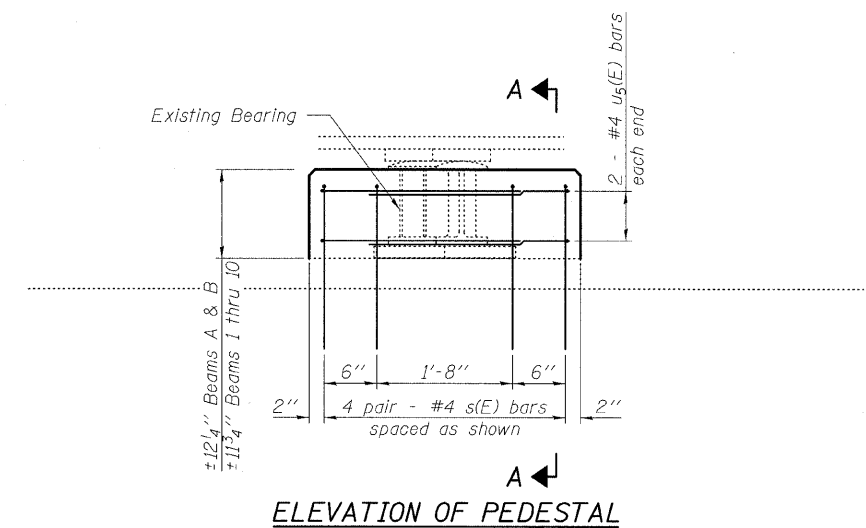


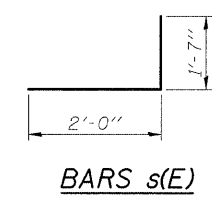
STATE OF ILLINOIS
DEPARTMENT OF TRANSPORTATION



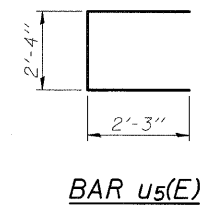
PLAN OF CAP



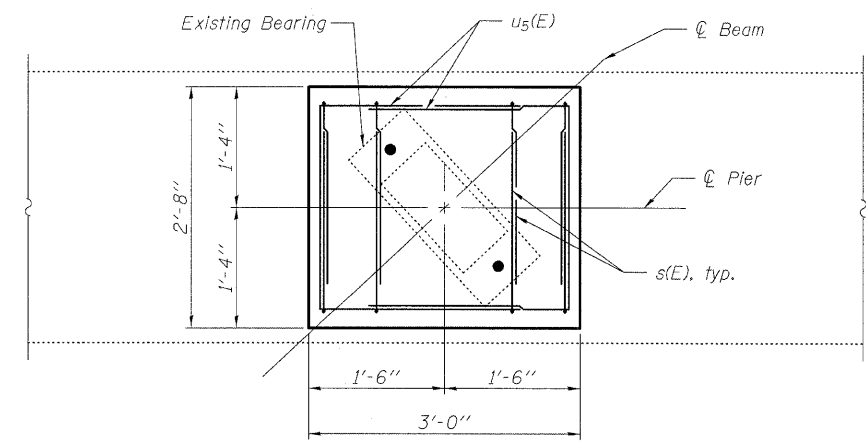
ELEVATION OF PEDESTAL



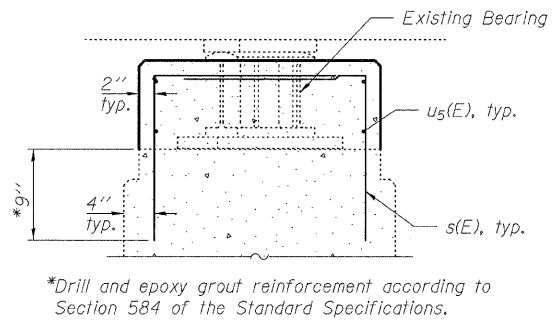
BARS s(E)



BAR u5(E)



PLAN OF PEDESTAL



SECTION A-A

*Drill and epoxy grout reinforcement according to Section 584 of the Standard Specifications.

BILL OF MATERIAL
TWO STRUCTURES

Bar	No.	Size	Length	Shape
s(E)	96	#4	3'-7"	L
u5(E)	48	#4	6'-10"	□
Concrete Structures			Cu. Yd.	3.6
Reinforcement Bars, Epoxy Coated			Pound	450

PIER 1 DETAILS
STRUCTURE NO. 060-0014 (E.B.)
STRUCTURE NO. 060-0015 (W.B.)

DESIGNED	KLH
CHECKED	EML
DRAWN	KLH
CHECKED	EML

Note:
If there is difficulty placing the s(E) bar due to the existing beam as shown, the Contractor is to adjust the bar spacing as necessary keeping it as close as possible to the original location.



SHEET NO. 15 16 SHEETS	F.A.I. RTE.	SECTION	COUNTY	TOTAL SHEETS	SHEET NO.
	70	60-(6,7)BR	MADISON	185	143
			CONTRACT NO. 76C56		
FED. ROAD DIST. NO.		ILLINOIS FED. AID PROJECT			