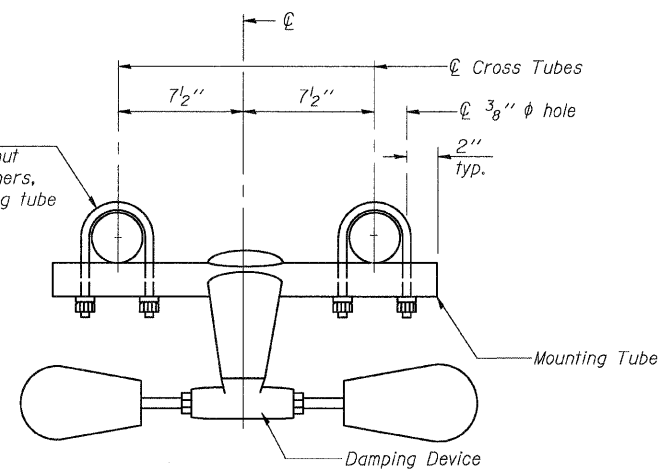
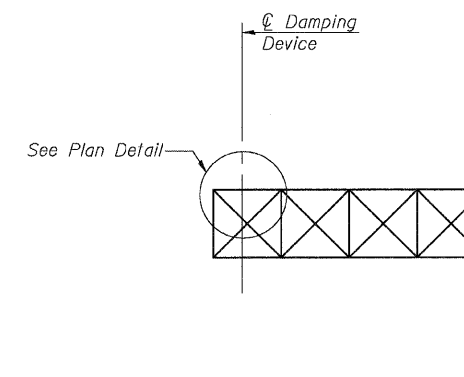


PLAN DETAIL

(See Table on Standard OSC-A-2)



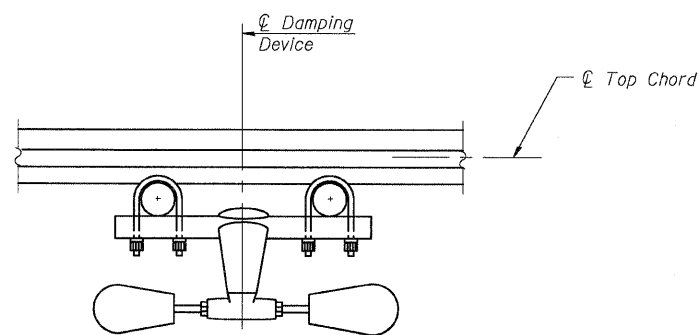
TRUSS DAMPING DEVICE CONNECTION DETAIL



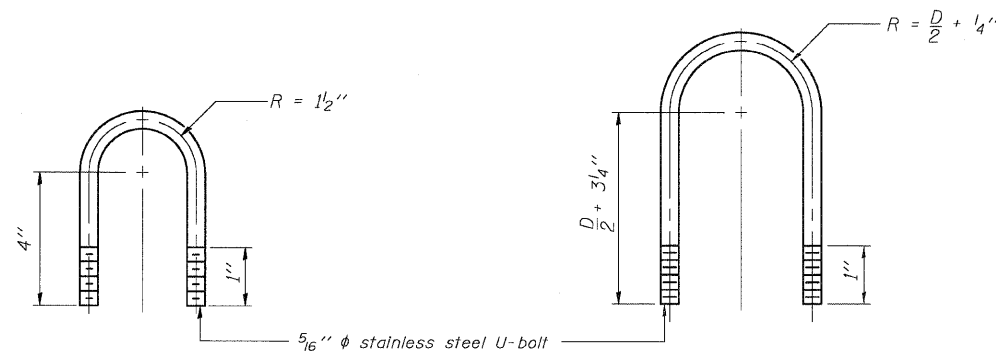
ELEVATION
Aluminum Cantilever
Sign Structure

GENERAL NOTES

- Damper: One damper per truss. (31 lbs. Stockbridge-Type Aluminum-29" minimum between ends of weights)
- Materials: Aluminum tubes shall be ASTM B221 alloy 6061 temper T6



SECTION A-A



DAMPING DEVICE MOUNTING TUBE U-BOLT DETAIL
(Typical)

TOP CHORD TO CROSS TUBE U-BOLT DETAIL
(Typical)

**CANTILEVER SIGN STRUCTURE
DAMPING DEVICE**

F.A.I. ROUTE 70, SEC. 60-(5,6,7)RS, 60-(6,7)BR
MADISON COUNTY

SHEET NO. 3 19 SHEETS	F.A.I. RTE.	SECTION	COUNTY	TOTAL SHEETS	SHEET NO.
	70	60-(5,6,7)RS, 60-(6,7)BR	MADISON	185	147
CONTRACT NO. 76C56					
FED. ROAD DIST. NO.		ILLINOIS	FED. AID PROJECT		

Coombe-Bloxdorf P.C.
- CIVIL ENGINEERS -
- STRUCTURAL ENGINEERS -
- LAND SURVEYORS -
Design Firm License No. 184-002703

PROJECT NO. 05027-13
SCALE / /
DATE / /
DESIGN BY / /
DRAWN BY / /
CHECKED BY / /

OSC-A-D 12-1-08

PLOT DATE = 09/14/2009
PLOT SCALE = 0.001000000 1" = 1'-0"
USER NAME = CFC