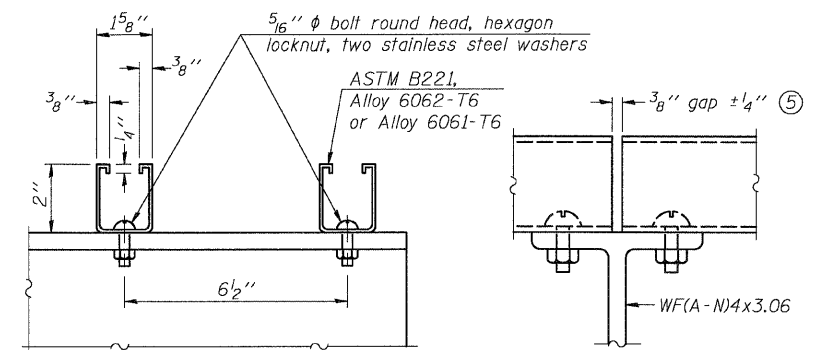
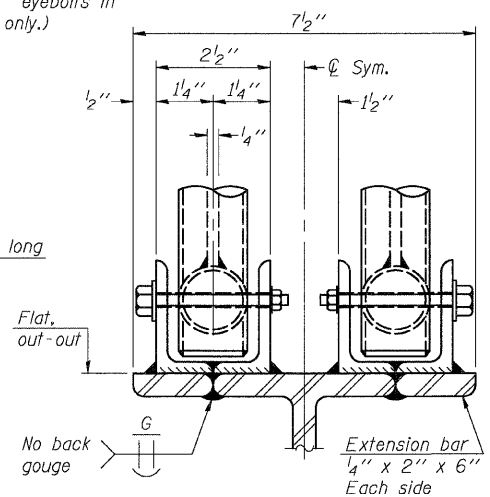
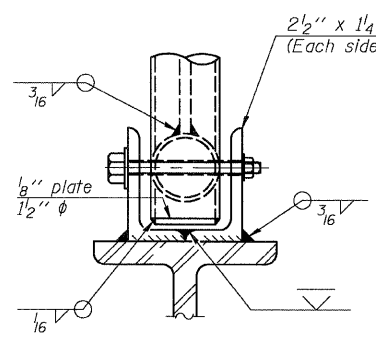
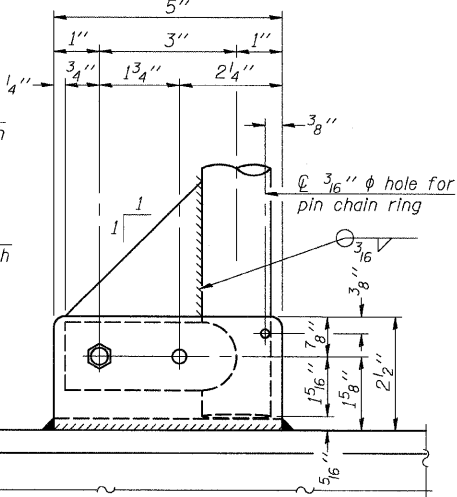
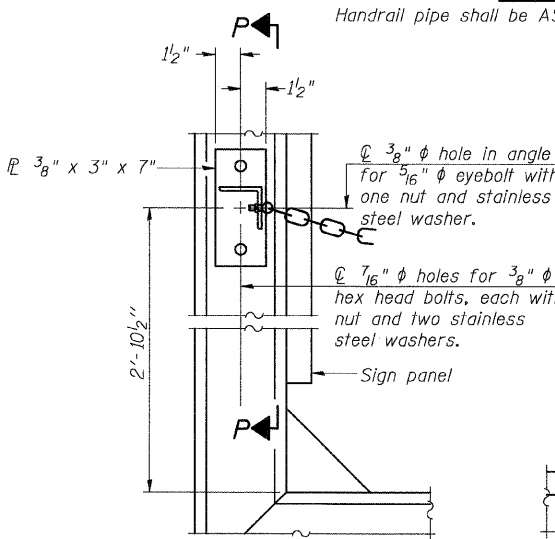


**HANDRAIL DETAILS**

Handrail pipe shall be ASTM B241 or B429, Alloy 6063-T6 or Alloy 6061-T6.

① Install standard force-fit end caps or weld 1/8" end plates with 1/8" c.f.w. and grind smooth. (All rail ends)  
② Horizontal handrail member shall be continuous thru fitting. Provide 7/16" φ hole in fitting for 3/8" φ bolt. Field drill 7/16" φ hole in horizontal rail member. Provide locknut and two stainless steel washers for bolt. (Use 5/16" eyebolts in 7/16" φ holes on top rail at ends only.)

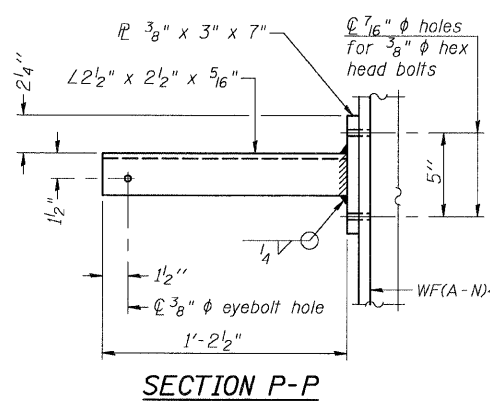


**LIGHTING FIXTURE MOUNTS (IF REQUIRED)**

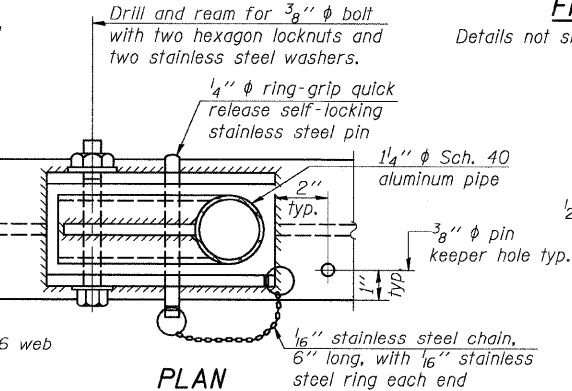
⑤ Field cut ends of light support channels shall be free of burrs or hazardous projections and coated with zinc-rich primer or equivalent.

**ALTERNATE SAFETY CHAIN ATTACHMENT**

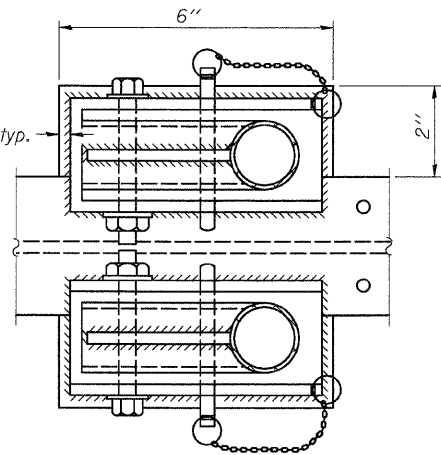
(With Sign Present)  
Items not shown same as "Side Elevation" of "Handrail Details"



**SIDE ELEVATION**



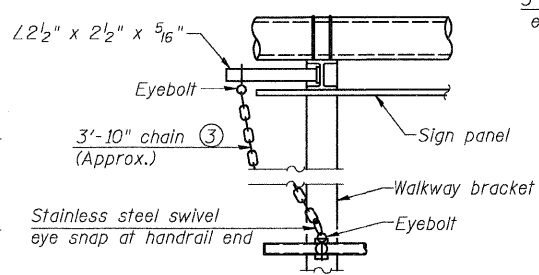
**FRONT ELEVATION**  
Details not shown same as "ELEVATION" at right.



**PLAN AT HANDRAIL JOINT**  
Details not shown same as "PLAN"

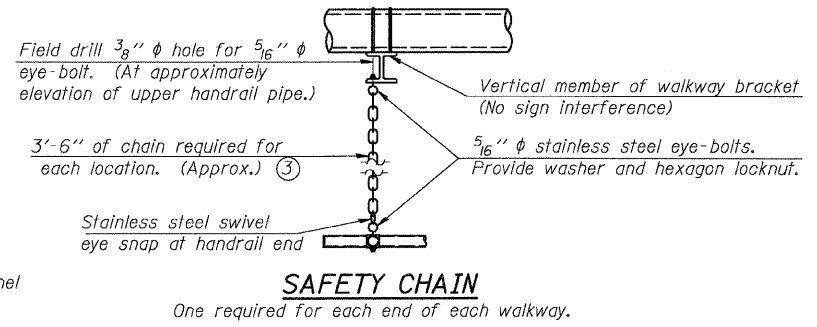
**ELEVATION AT HANDRAIL JOINT** ④

Details not shown same as "FRONT ELEVATION"



**ALTERNATE SAFETY CHAIN ATTACHMENT**  
Details not shown similar to "Safety Chain" Details (Walkway omitted for clarity)

③ 3/8" Type 304L stainless steel chain, approximately 12 links per foot.  
④ Extrusions may be used in lieu of the details shown, with approval of the Engineer.



NUMBER	REVISION	DATE

**Coombe-Bloxdorf P.C.**  
- CIVIL ENGINEERS -  
- STRUCTURAL ENGINEERS -  
- LAND SURVEYORS -  
Design Firm License No. 184-002703

PROJECT NO. 05027-13  
SCALE  
DATE / /  
DESIGN BY  
DRAWN BY  
CHECKED BY

OSC-A-8 12-1-08

**CANTILEVER SIGN STRUCTURES  
HANDRAIL DETAILS  
ALUMINUM TRUSS & STEEL POST**

F.A.I. ROUTE 70, SEC. 60-(5,6,7)RS, 60-(6,7)BR  
MADISON COUNTY

SHEET NO. 8	F.A.I. RTE. 70	SECTION 60-(5,6,7)RS, 60-(6,7)BR	COUNTY MADISON	TOTAL SHEETS 185	SHEET NO. 152
19 SHEETS			CONTRACT NO. 76C56		
FED. ROAD DIST. NO.		ILLINOIS		FED. AID PROJECT	

PLOT DATE = 09/17/2009  
PLOT SCALE = 0.0010000000 1" = 1'-0"  
USER NAME = CFC