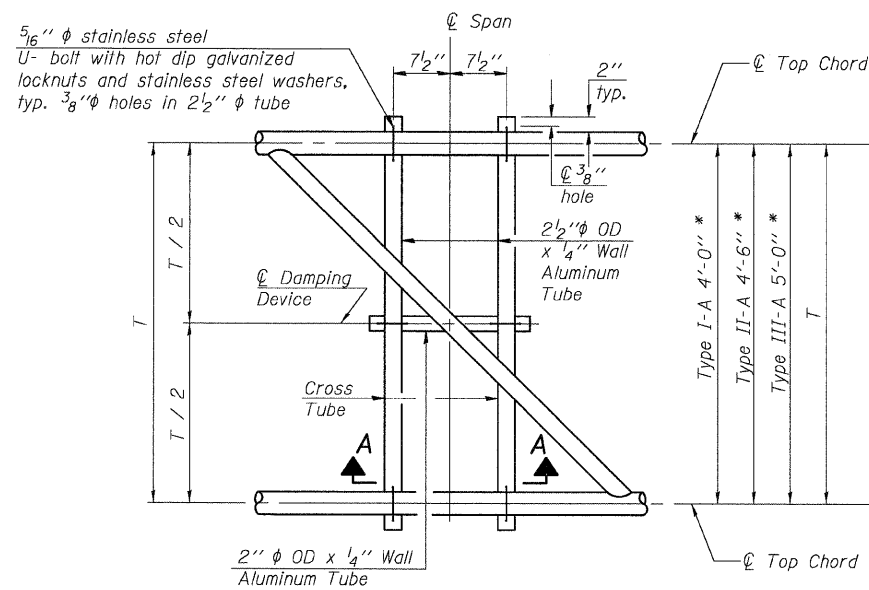
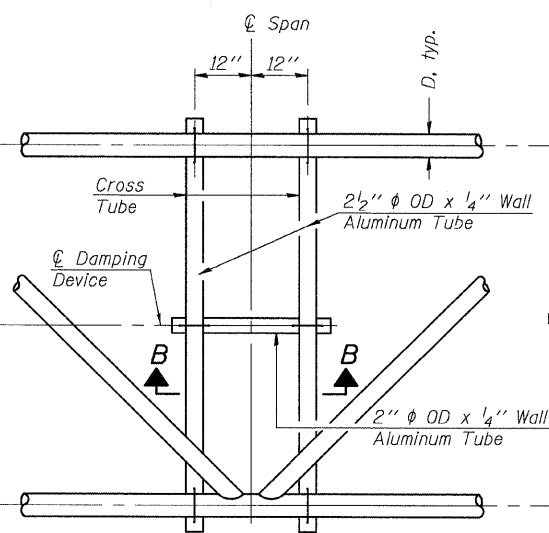


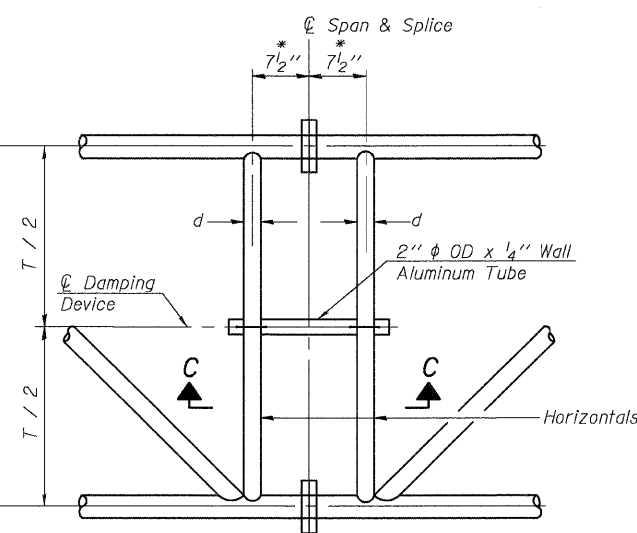
* Center of horizontal to center of splice dimension may vary. Verify before drilling holes in mounting tube.



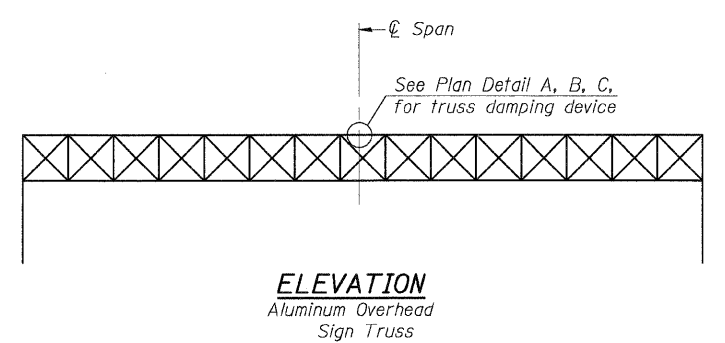
PLAN DETAIL "A"
Span between Panel Points



PLAN DETAIL "B"
Span at Panel Point

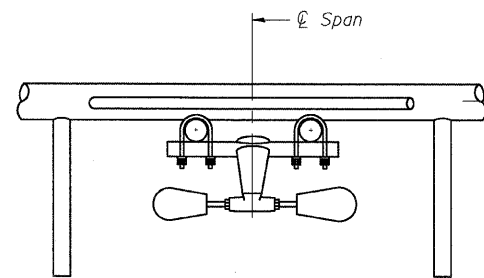


PLAN DETAIL "C"
Span at Chord Splice

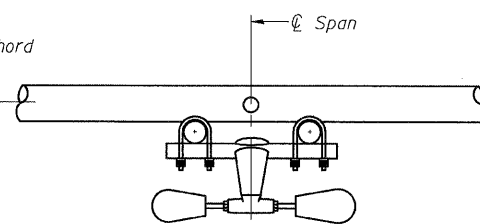


ELEVATION
Aluminum Overhead Sign Truss

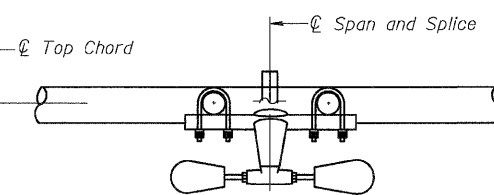
NOTES
 Damper: One damper per truss. (31 lbs. minimum Stockbridge-Type Aluminum - 29" minimum between ends of weights) Cost included in Overhead Sign Structure...
 Materials: Materials: Aluminum tubes shall be ASTM B221 alloy 6061 temper T6. Cost included in Overhead Sign Structure...



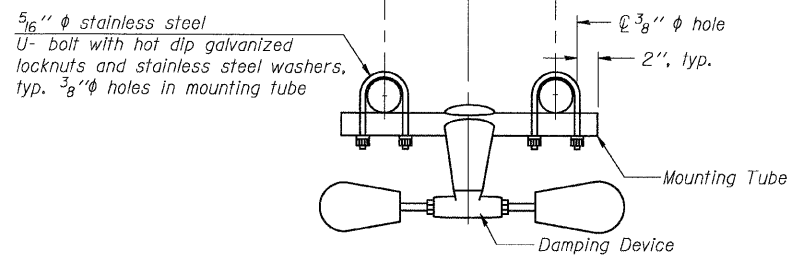
SECTION A-A



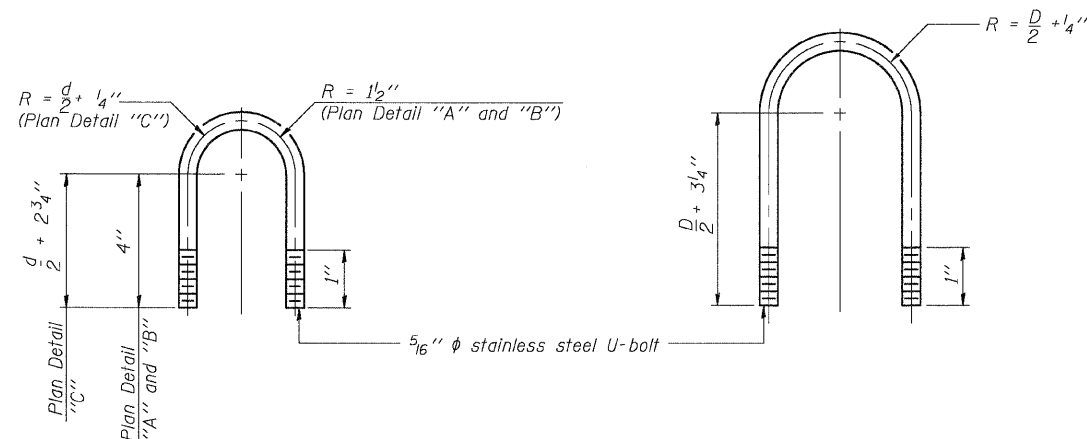
SECTION B-B



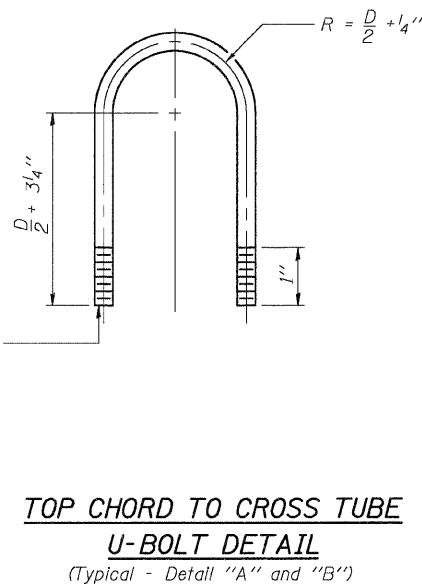
SECTION C-C



TRUSS DAMPING DEVICE CONNECTION DETAIL
(Typical)



DAMPING DEVICE MOUNTING TUBE U-BOLT DETAIL
(Typical)



TOP CHORD TO CROSS TUBE U-BOLT DETAIL
(Typical - Detail "A" and "B")

OVERHEAD SIGN STRUCTURE DAMPING DEVICE				
F.A.I. ROUTE 70, SEC. 60-(5,6,7)RS, 60-(6,7)BR MADISON COUNTY				
SHEET NO. 13	F.A.I. RTE.	SECTION	COUNTY	TOTAL SHEETS
19 SHEETS	70	60-(5,6,7)RS, 60-(6,7)BR	MADISON	185
			SHEET NO. 157	
			CONTRACT NO. 76C56	
FED. ROAD DIST. NO.		ILLINOIS	FED. AID PROJECT	

Coombe-Bloxdorf P.C.
 -CIVIL ENGINEERS-
 -STRUCTURAL ENGINEERS-
 -LAND SURVEYORS-
 Design Firm License No. 184-002703

PROJECT NO. 05027-13
 SCALE / / /
 DATE / / /
 DESIGN BY / / /
 DRAWN BY / / /
 CHECKED BY / / /

OS-A-D 12-1-08

PLOT DATE = 09/14/2009
 PLOT SCALE = 1/8" = 1'-0"
 USER NAME = CFC