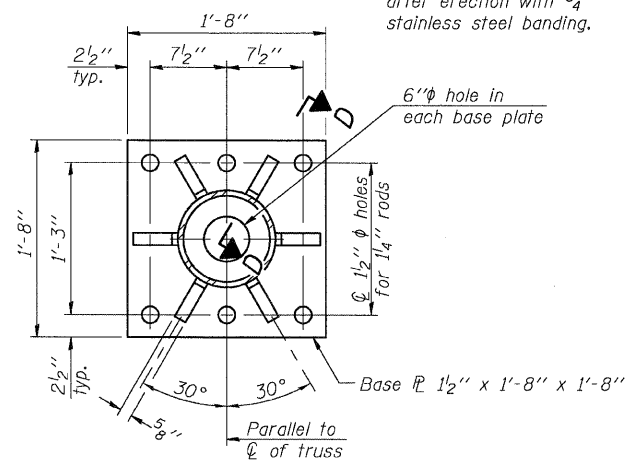
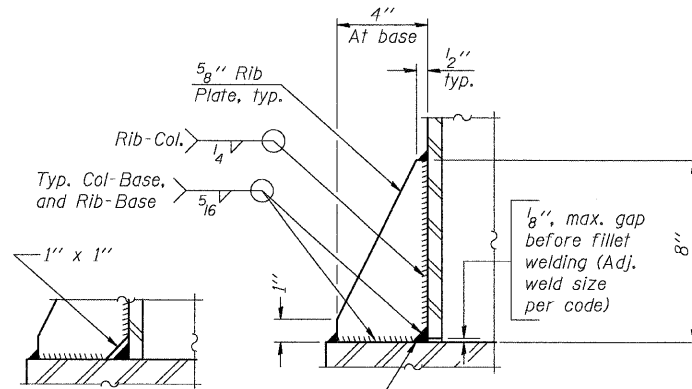


DETAIL B

Ribs shall be cut to fit slope of pipe.

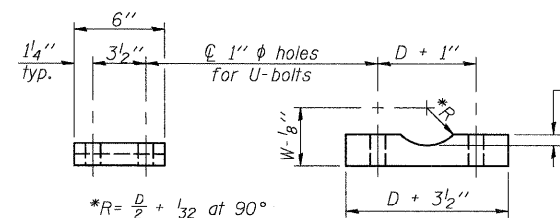


SECTION B-B



SECTION D-D

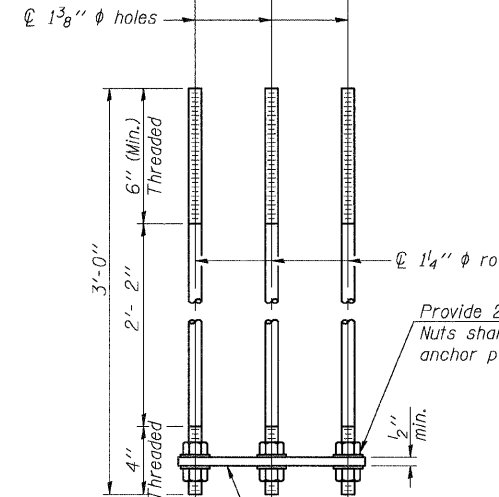
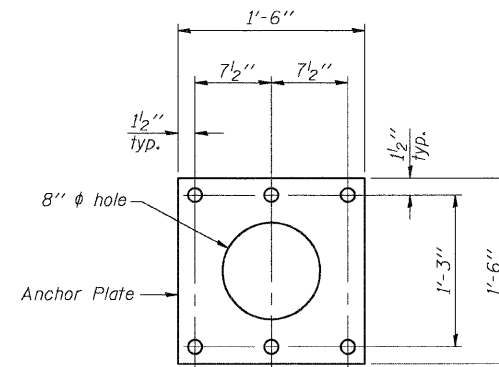
** Alternate detail if welding col. to base plate first, then snip inside corner of ribs. Terminate weld on rib 1/4" from snip.



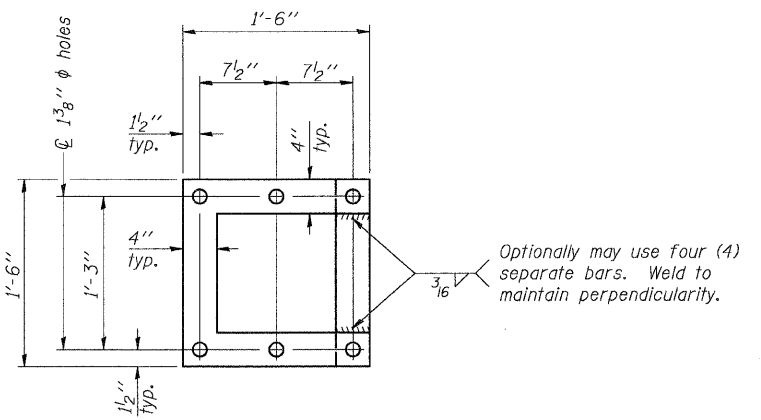
SADDLE SHIM DETAIL

ASTM B26 Alloy 356-F
or
ASTM B209 Alloy 6061-T651
(4 required per sign truss)

Truss Chord Nominal Dia.	a
5"	3/4"
5 1/2"	13/16"
6"	7/8"
6 1/2"	15/16"
7"	1"

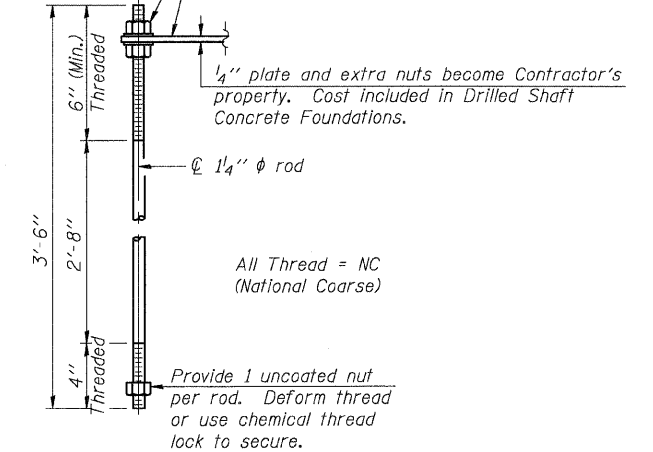


ANCHOR ROD DETAIL
Spread Footing Foundation



POSITIONING PLATE(S)

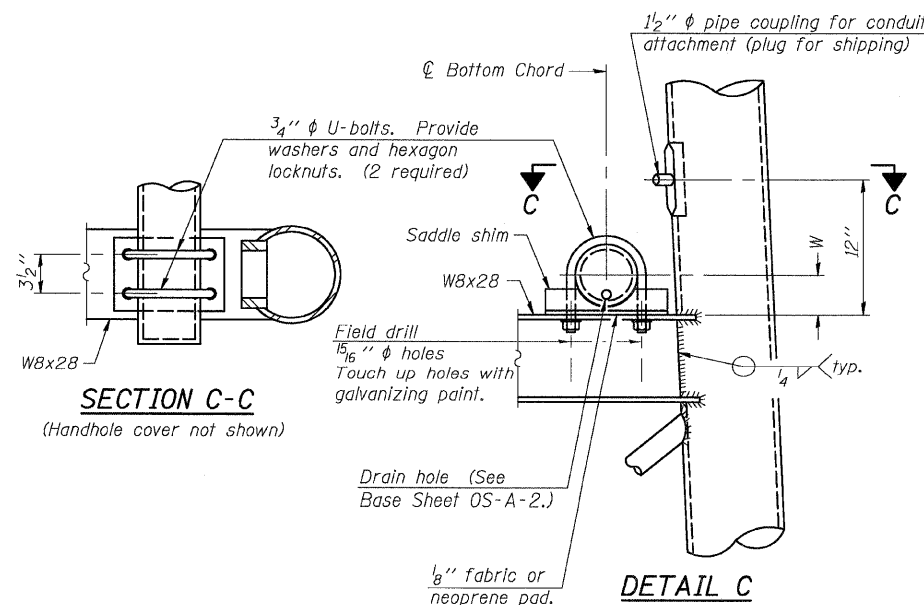
At each location, provide 1/4" thick positioning plate(s) and six (6) additional nuts to be used with leveling nuts to maintain anchor bolts position during concrete placement.



ANCHOR ROD DETAIL
Drilled Shaft Foundation

Anchor rods shall conform to AASHTO M314 Grade 36 or 50 and meet Charpy V-Notch (CVN) energy of 15 lb.-ft. at 40° F. Galvanize upper 12" per AASHTO M232. No welding shall be permitted on rods.

10" ϕ PIPE SUPPORT FRAME DETAILS



SECTION C-C

(Handhole cover not shown)

DETAIL C

NUMBER	REVISION	DATE

Coombe-Bloxdorf P.C.
- CIVIL ENGINEERS -
- STRUCTURAL ENGINEERS -
- LAND SURVEYORS -
Design Firm License No. 184-002703

PROJECT NO. OS027-13
SCALE
DATE / /
DESIGN BY
DRAWN BY
CHECKED BY

OS-A-6A 12-1-08

**OVERHEAD SIGN STRUCTURES
SUPPORT FRAME DETAILS ALUMINUM TRUSS**

**F.A.I. ROUTE 70, SEC. 60-(5,6,7)RS, 60-(6,7)BR
MADISON COUNTY**

SHEET NO. 15	F.A.I. RTE.	SECTION	COUNTY	TOTAL SHEETS	SHEET NO.
19 SHEETS	70	60-(5,6,7)RS, 60-(6,7)BR	MADISON	185	159
CONTRACT NO. 76C56					
FED. ROAD DIST. NO.		ILLINOIS FED. AID PROJECT			