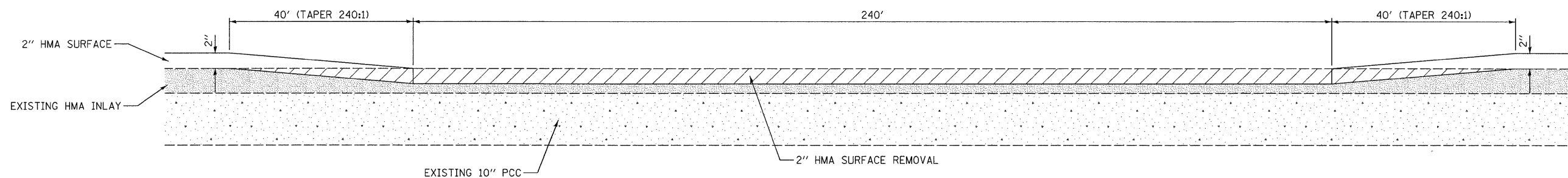


DETAIL FOR RESURFACING SHOULDERS UNDER SN 060-0170

FAIRMONT LANE

(WESTBOUND) STATION 414+98.34 TO STATION 418+18.34

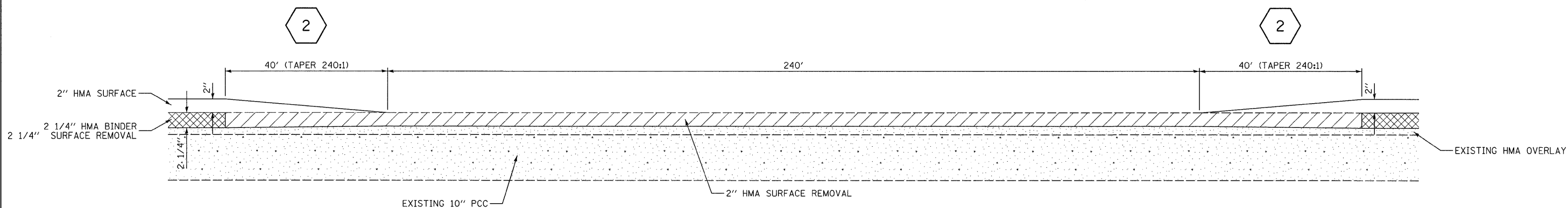
(EASTBOUND) STATION 414+39.47 TO STATION 417+59.47



DETAIL FOR RESURFACING WB MAINLINE UNDER SN 060-0170

FAIRMONT LANE

(WESTBOUND) STATION 414+98.34 TO STATION 418+18.34



DETAIL FOR RESURFACING EB MAINLINE UNDER SN 060-0170

FAIRMONT LANE

(EASTBOUND) STATION 414+39.47 TO STATION 417+59.47

- 2 1/4" HMA SURFACE REMOVAL AND 2 1/4" HMA BINDER
- 2" HMA SURFACE REMOVAL AND 2" HMA SURFACE

NO MILLING OF PCC PAVEMENT AREAS
WITH THE EXCEPTION OF THE PCC PATCHES

LAST SAVED = 9/16/2009
 PEN TABLE = VB.tbl
 PLOT DRIVER = TR-Micro6284-Top-File.plt

FILE NAME =	USER NAME = sdonahue	DESIGNED -	REVISED -
1:\08090\Work_Order_3\Cad\T\Plans\0876	06-Sht-Details.dgn	DRAWN -	REVISED -
	PLOT SCALE = 50.0023' / IN	CHECKED -	REVISED -
	PLOT DATE = 9/16/2009 9:18:08 PM	DATE -	REVISED -

**STATE OF ILLINOIS
DEPARTMENT OF TRANSPORTATION**

**HORNER &
SHIRIN, INC.
ENGINEERS**

SPECIAL DETAILS
RESURFACING UNDER SN 060-0170 (FAIRMONT LANE OVERPASS)

SCALE: NONE SHEET NO. 4 OF 8 SHEETS STA. TO STA.

F.A.I. RTE.	SECTION	COUNTY	TOTAL SHEETS	SHEET NO.
70	60-(5,6,7)RS, 60-(6,7)BR	MADISON	185	180
FED. ROAD DIST. NO. ILLINOIS FED. AID PROJECT			CONTRACT NO. 76C56	