

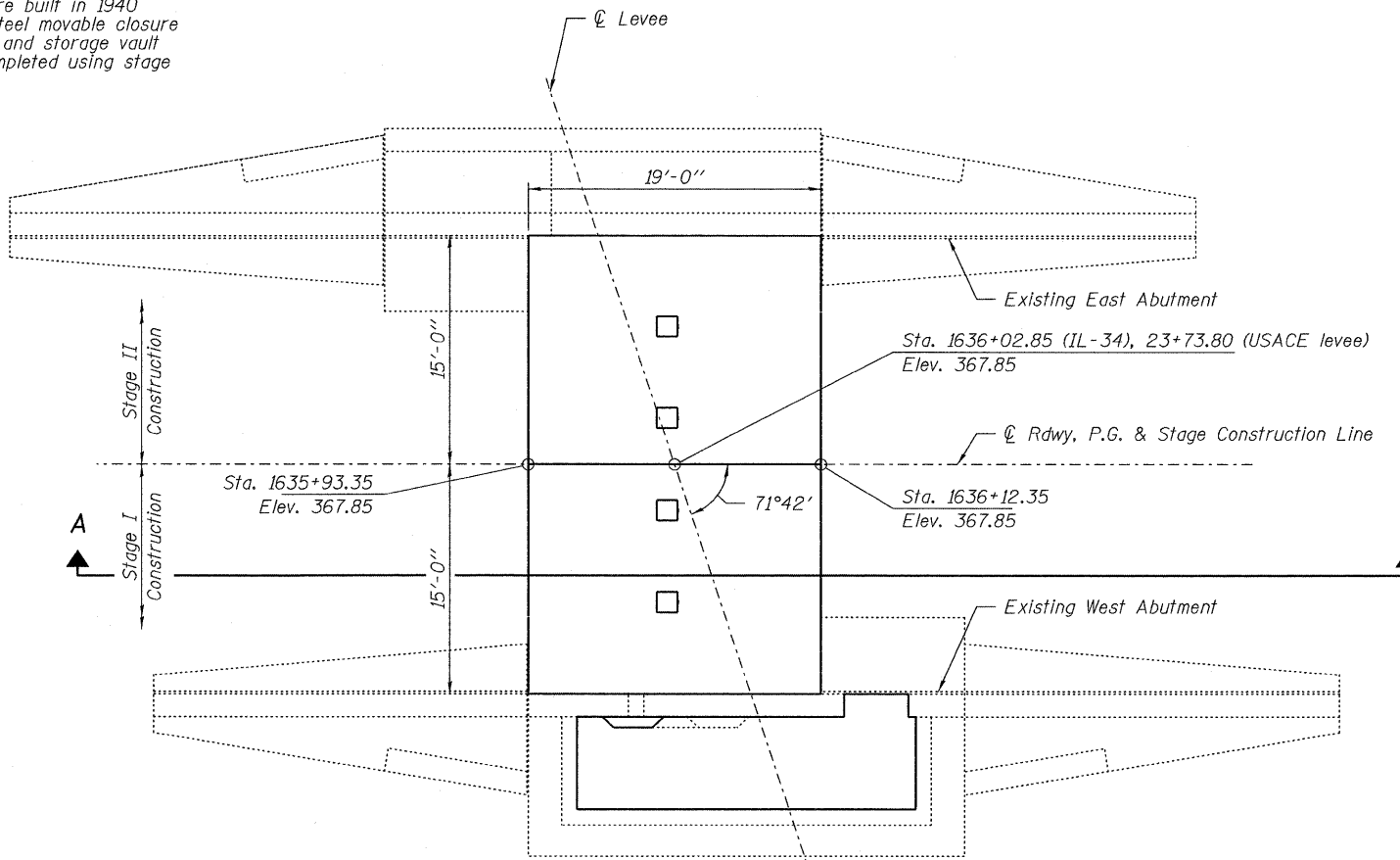
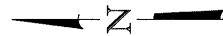
BENCHMARK:

EXISTING STRUCTURE: Existing levee closure structure built in 1940 as part of contract #W559eng-4880. The existing steel movable closure structure is to be replaced and the existing RC walls and storage vault are to be modified and reused. This work will be completed using stage construction to maintain traffic.

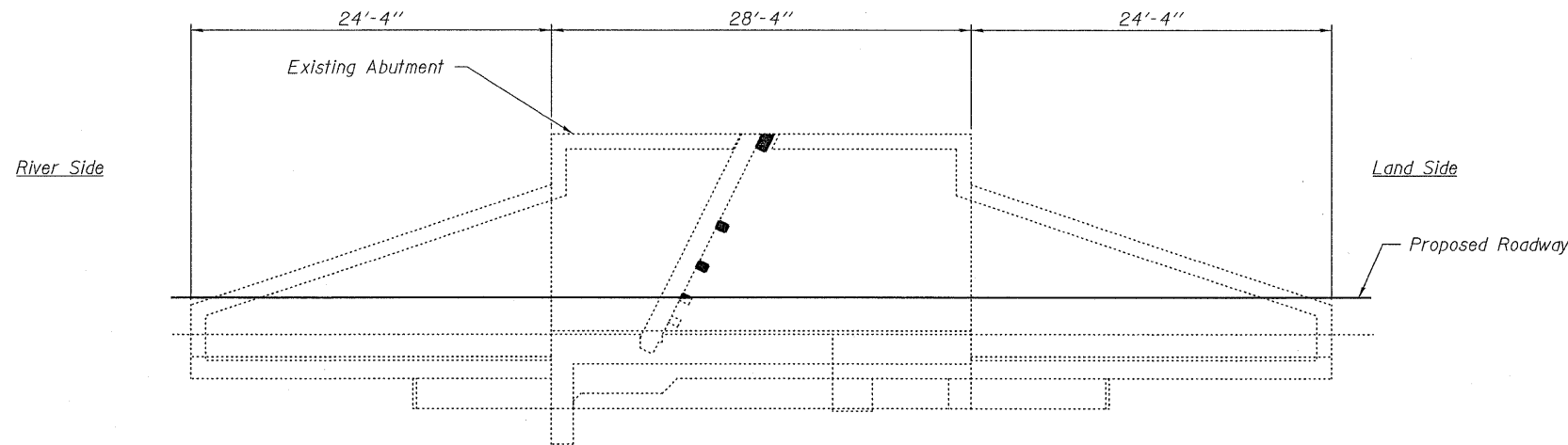
No Salvage.

INDEX OF STRUCTURE SHEETS

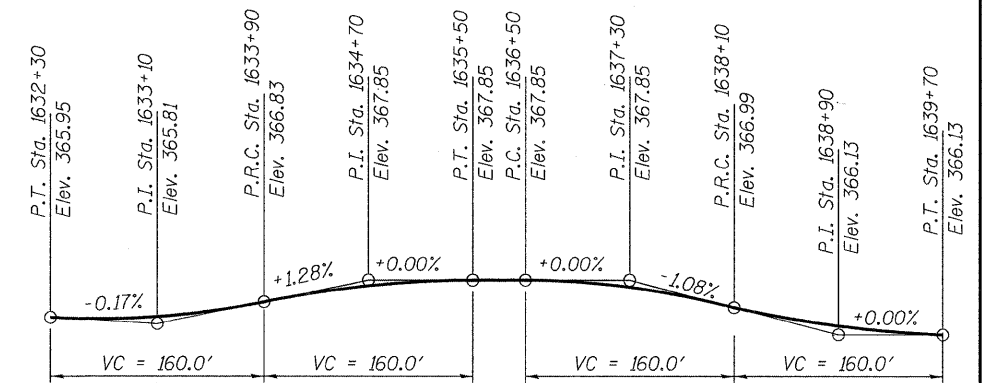
1. General Plan and Elevation
2. General Details
3. Concrete Sill Slab Elevations
4. Concrete Sill Slab, Vault & Walls
5. Sill Slab, Wall & Vault Modification Plan
6. Sill Slab, Wall & Vault Modification Details
7. Truss Anchorage Assembly
8. Truss Plan
9. Truss Plan Details
10. Truss Plan Details
11. Wall Panel Plan
12. Wall Panel Plan
13. Vault Storage Plan
14. Bar Splicer Details



PLAN

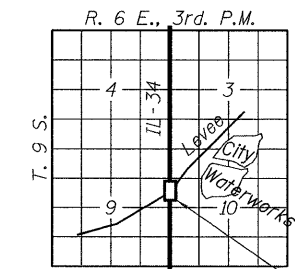


SECTION A-A



PROFILE GRADE

(Along Centerline of Roadway.)



LOCATION SKETCH

Proposed Improvements



10/1/2009

Michael D. Cira
ILLINOIS STRUCTURAL NO. 081-5984

Expires: 11-30-2010

GENERAL PLAN AND ELEVATION
IL-34 THROUGH LEVEE
FAP 869/SECTION (105)RS-2
SALINE COUNTY
STATION 1636+02.85 (IL-34)
STATION 23+73.80 (USACE levee)
MOVABLE LEVEE CLOSURE STRUCTURE

DESIGNED - T.P.L.
CHECKED - M.D.C., S.M.S.
DRAWN - P.J.L.
CHECKED - J.L.B.

DESIGN SPECIFICATIONS

CECW-ED Engineer Manual 1110-2-2705.

DESIGN STRESSES

FIELD UNITS

$f'_c = 3,500$ psi
 $f_y = 60,000$ psi (Reinf.)
 $f_y = 50,000$ psi (AASHTO M270 Grade 50)

HAMPTON, LENZINI & RENWICK, INC.
 CIVIL & STRUCTURAL ENGINEERS
 LAND SURVEYORS

HLR 3085 STEVENSON DRIVE, SUITE 201
 SPRINGFIELD, ILLINOIS 62703
 (217) 546-3400

PROJECT NUMBER: 08.0214.130 DATE: 10/01/09

SHEET NO. 1
 14 SHEETS

FAP	SECTION	COUNTY	TOTAL SHEETS	SHEET NO.
869	(105)RS-2	SALINE	82	36
IL-34 HARRISBURG		CONTRACT NO. 78079		
FED. ROAD DIST. NO.	ILLINOIS	FED. AID PROJECT		