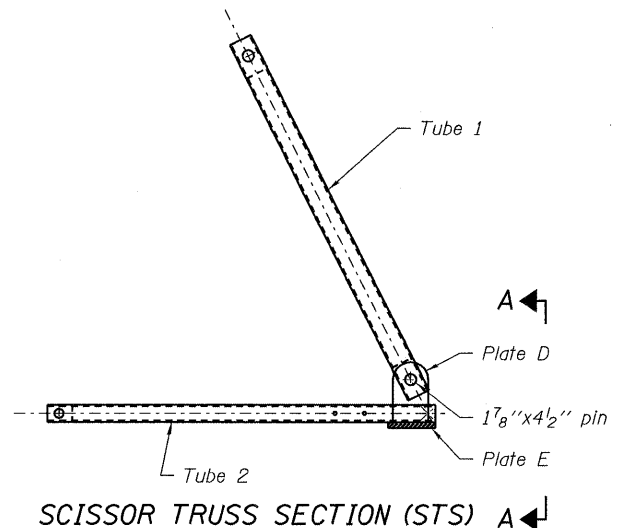
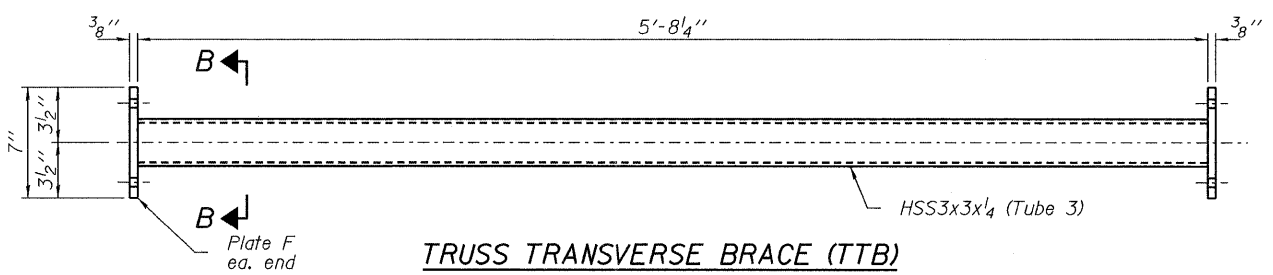


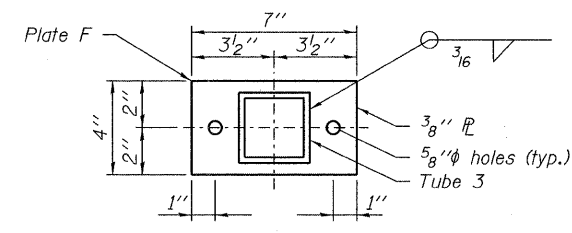
DETAIL A



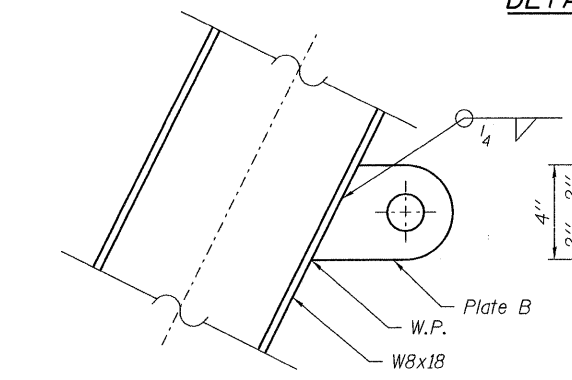
SCISSOR TRUSS SECTION (STS)
(4-Required)



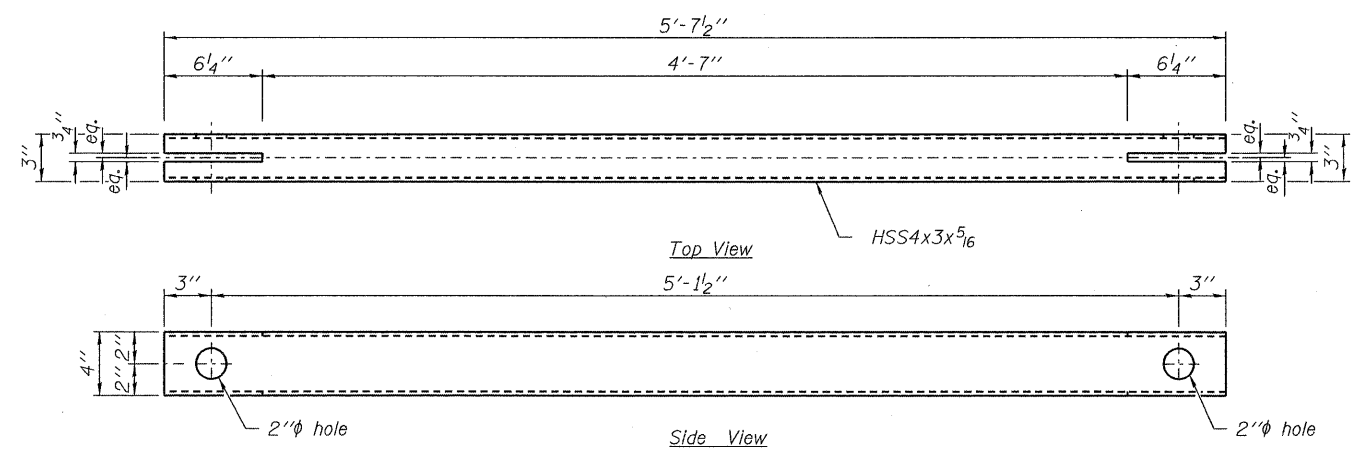
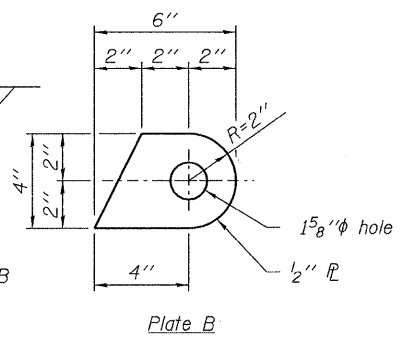
TRUSS TRANSVERSE BRACE (TTB)
(3-Required)



SECTION B-B



DETAIL B



DETAIL - TUBE 1

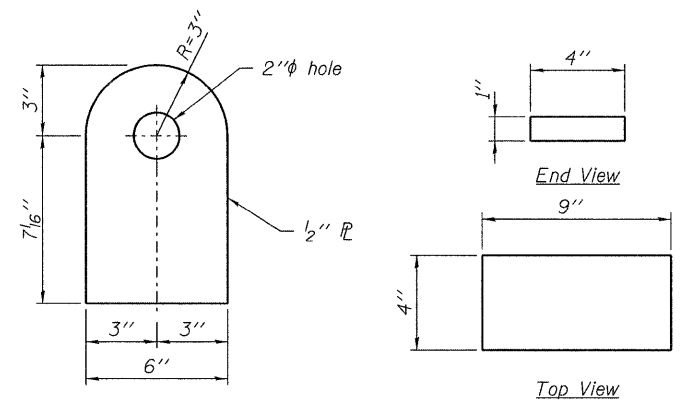
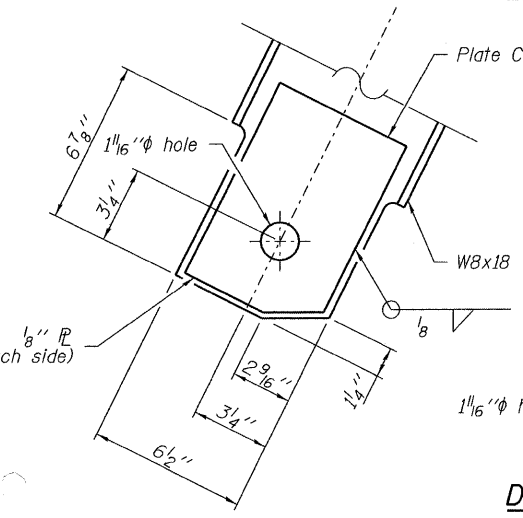
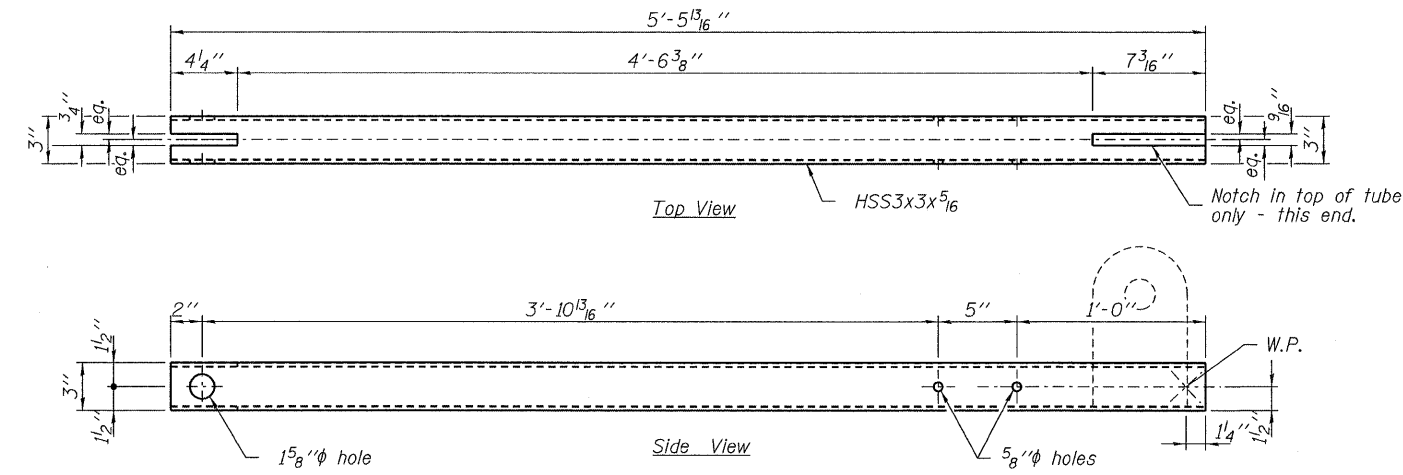
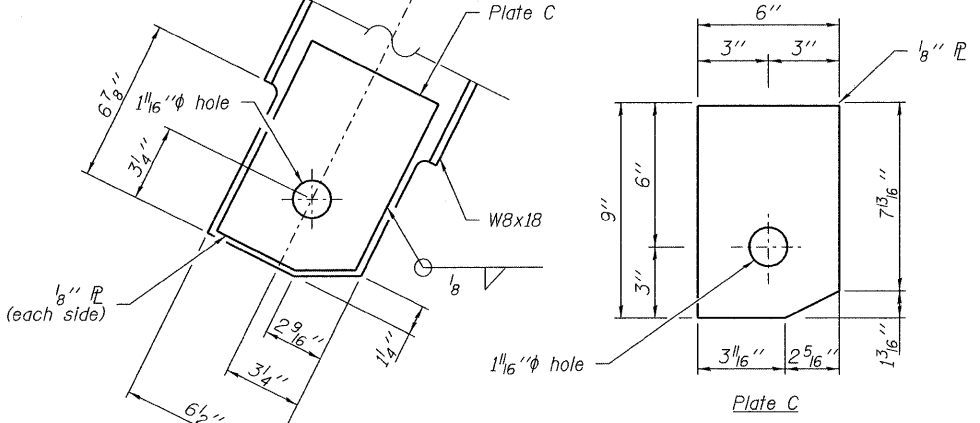


PLATE D

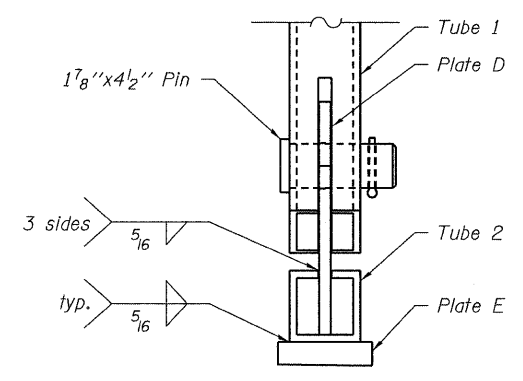
PLATE E



DETAIL C



DETAIL - TUBE 2



SECTION A-A

Notes:
 All steel plates are M270 Grade 50 steel.
 All Tubes are ASTM A500 Grade 46 steel.
 Tube 1, Tube 2, Plate D, Plate E, and a 1 7/8" x 4 1/2" Pin shall be assembled into the Scissor Truss shown above.
 All steel components shall be galvanized according to AASHTO M111 after fabrication.
 See sheets 8 and 10 of 14 for additional Truss details.

Following fabrication and prior to galvanizing the Scissor Truss Sections and the Truss Transverse Braces will have the letters shown in parenthesis next to their title placed on it in 2 1/2" tall by 3/16" thick block capital letters using weld bead at two locations on each side of the larger tube approximately 2' from the ends, cost included with unit price for "Furnishing Structural Steel".

DESIGNED - T.P.L.
CHECKED - M.D.C., S.M.S.
DRAWN - P.J.L.
CHECKED - J.L.B.

**TRUSS PLAN DETAILS
MOVABLE LEVEE CLOSURE STRUCTURE**

HAMPTON, LENZINI & RENWICK, INC. CIVIL & STRUCTURAL ENGINEERS LAND SURVEYORS HLR 3085 STEVENSON DRIVE, SUITE 201 SPRINGFIELD, ILLINOIS 62703 (217) 648-3400 PROJECT NUMBER: 08.0214.130 DATE: 10/01/09	SHEET NO. 9	FAP	SECTION	COUNTY	TOTAL SHEETS	SHEET NO.
	14 SHEETS	869	(105)RS-2	SALINE	82	44
		IL-34 HARRISBURG		CONTRACT NO. 78079		
		FED. ROAD DIST. NO.	ILLINOIS	FED. AID PROJECT		