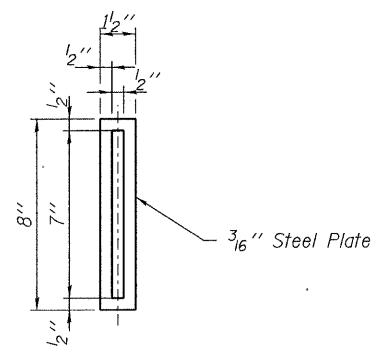


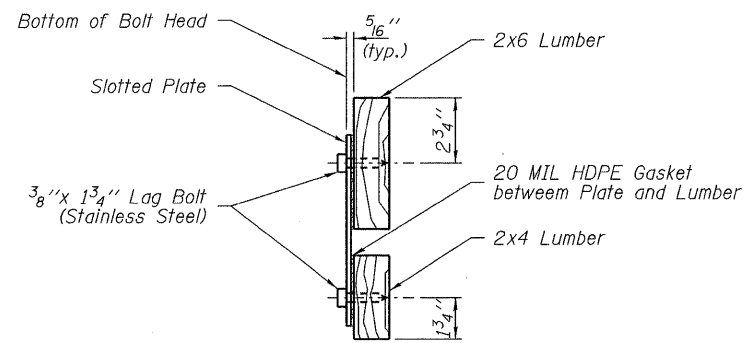
**EDGE SEALING BOARDS**

(2-Required)

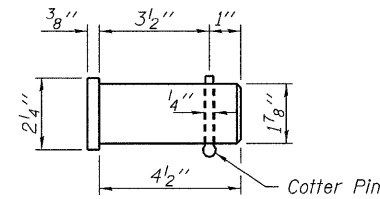


**SLOTTED PLATE**

(3-Required per Edge Sealing Board)

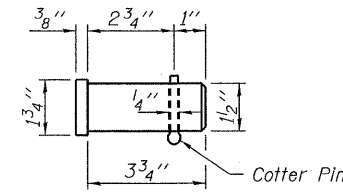


**SECTION A-A**



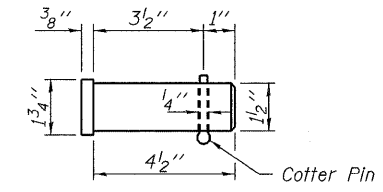
**1 7/8" x 4 1/2" PIN**

(9-Required)



**1 1/2" x 3 3/4" PIN**

(5-Required)



**1 1/2" x 4 1/2" PIN**

(5-Required)

**Notes:**

All Pins are M270 Grade 50 steel.

Slotted Plates are M270 Grade 36 steel.

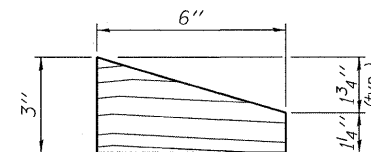
All steel components shall be galvanized according to AASHTO M111 after fabrication unless otherwise noted.

The Structural quality of the lumber shall comply with IDOT Standard Specifications Article 1007.03.

All lumber will be treated with preservatives and the attaching fasteners and hardware will meet the requirements of Standard Specifications Article 1007.

There shall be a 20 MIL HDPE gasket separating the treated lumber at any point of contact with carbon steel, including galvanized or painted steel.

Cost of Wooden Wedges included with contract unit price for "Treated Timber".



**WOODEN WEDGES**

(14-Required)

DESIGNED - T.P.L.
CHECKED - M.D.C., S.M.S.
DRAWN - P.J.L.
CHECKED - J.L.B.

<b>HAMPTON, LENZINI &amp; RENWICK, INC.</b> CIVIL & STRUCTURAL ENGINEERS LAND SURVEYORS 3085 STEVENSON DRIVE, SUITE 201 SPRINGFIELD, ILLINOIS 62703 (217) 546-3400	SHEET NO. 10  14 SHEETS	FAP	SECTION	COUNTY	TOTAL SHEETS	SHEET NO.
		869	(105)RS-2	SALINE	82	45
PROJECT NUMBER: 08.0214.130		DATE: 10/01/09		IL-34 HARRISBURG		CONTRACT NO. 78079
		FED. ROAD DIST. NO.		ILLINOIS		FED. AID PROJECT

**TRUSS PLAN DETAILS  
MOVABLE LEVEE CLOSURE STRUCTURE**