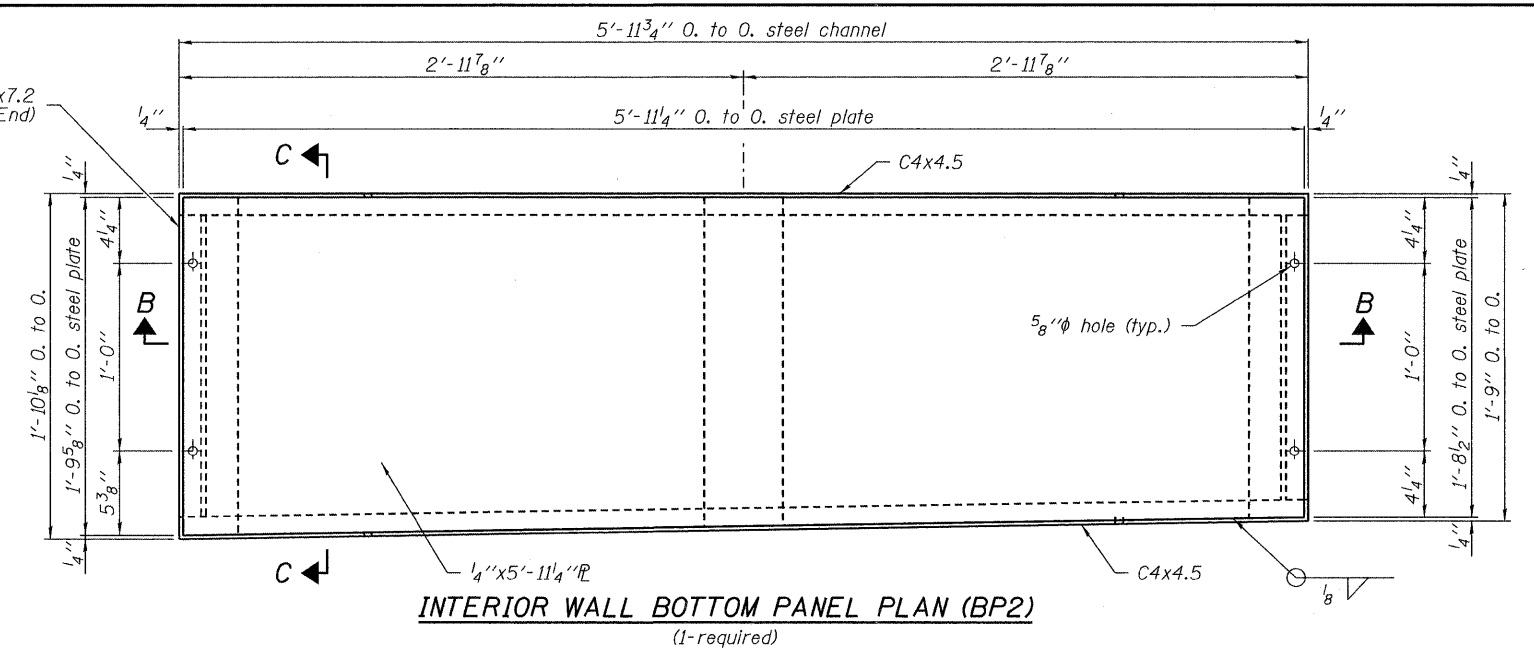
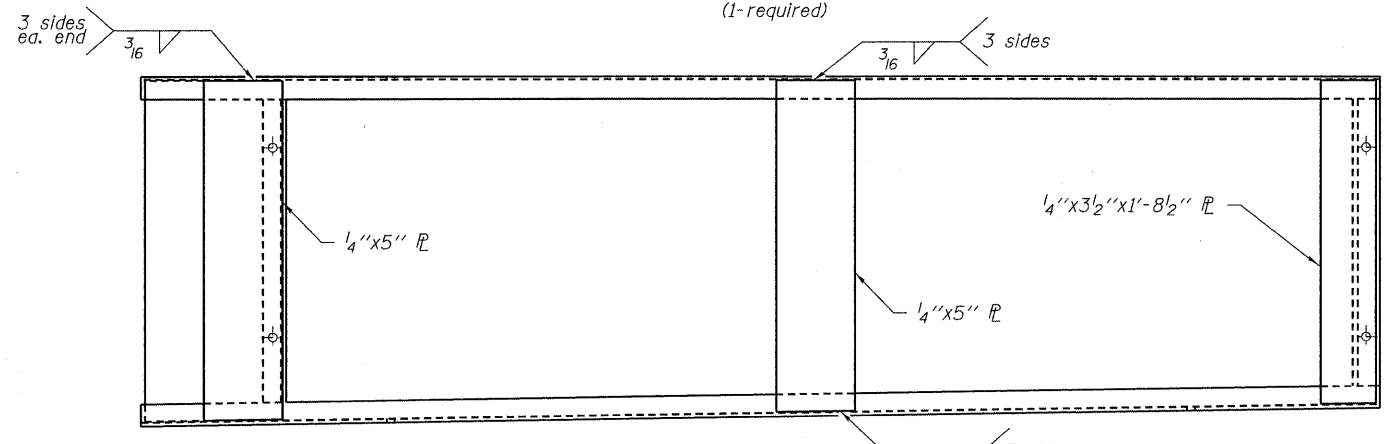


**EXTERIOR WALL BOTTOM PANEL PLAN (BP1)**  
 (1-required)

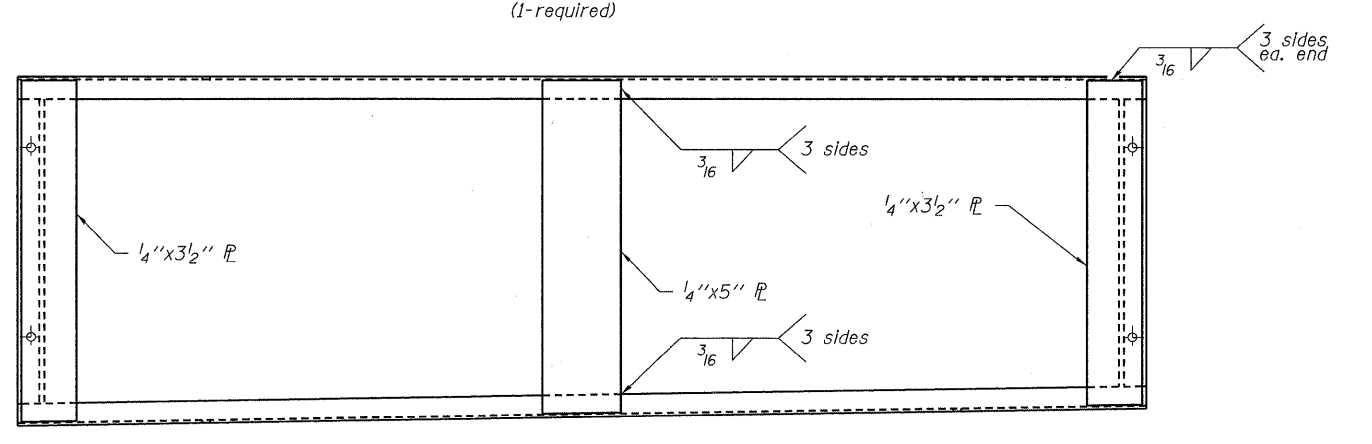


**INTERIOR WALL BOTTOM PANEL PLAN (BP2)**  
 (1-required)

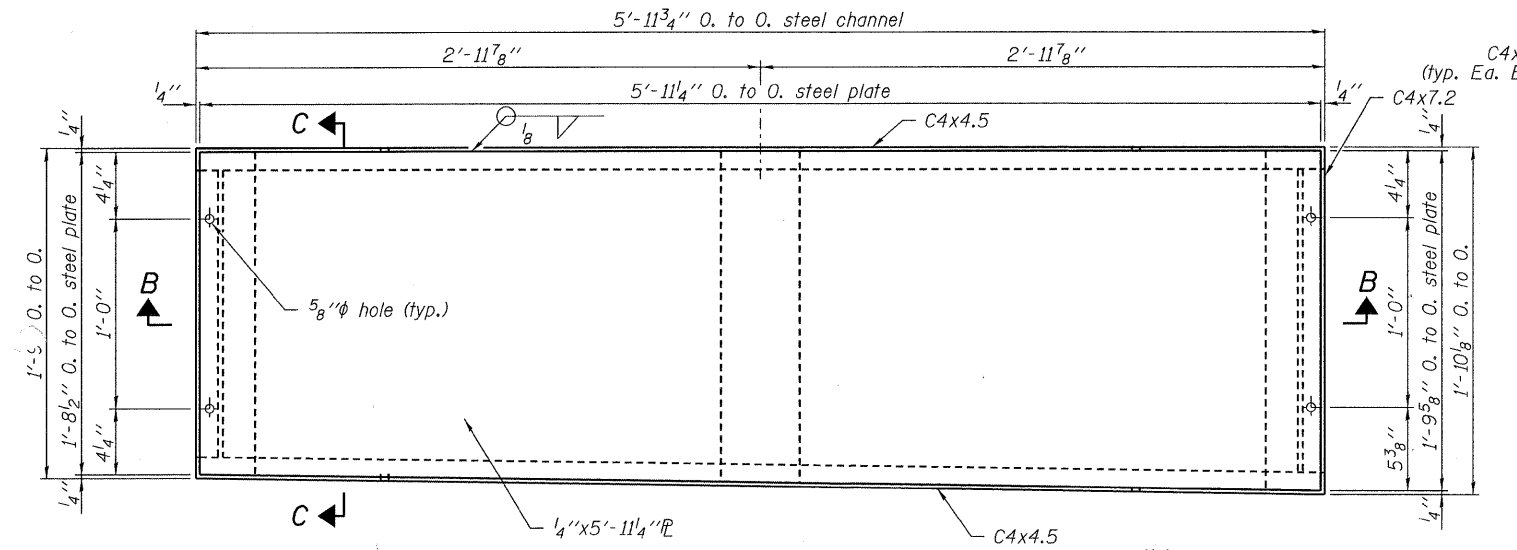


**BACK VIEW (BP1)**  
 (Rotate 180° for BP4)

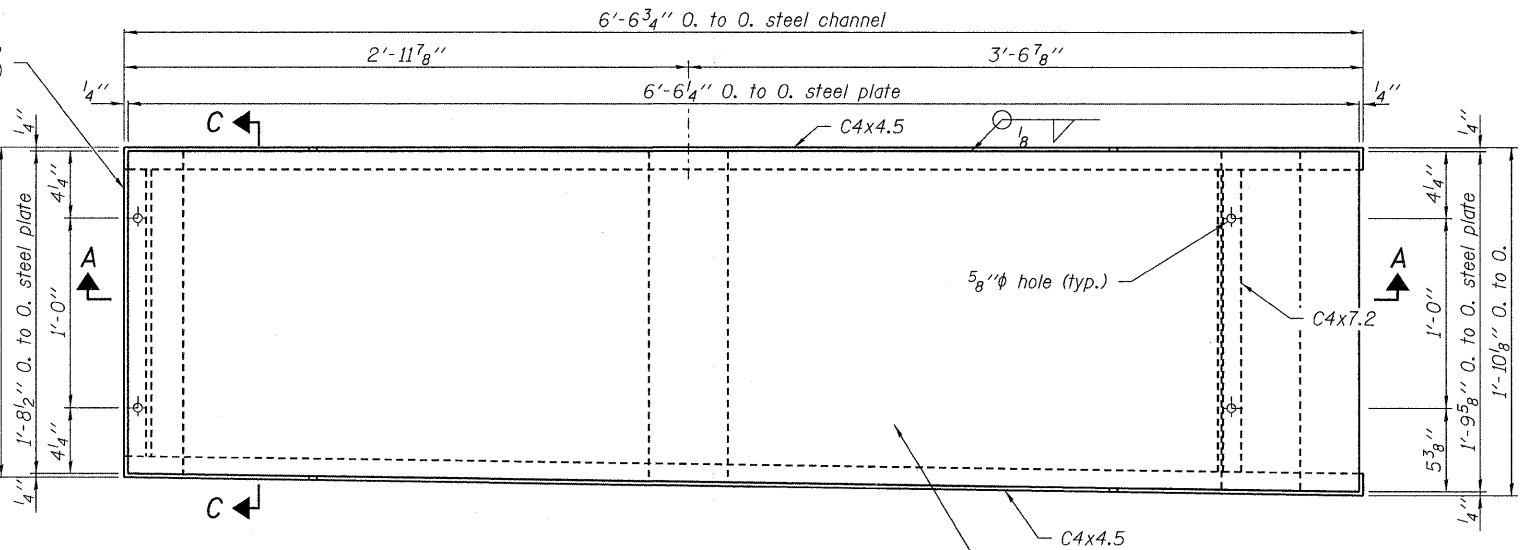
Note:  
 For Sections A-A, B-B and  
 C-C see sheet 11 of 14.



**BACK VIEW (BP2)**  
 (Rotate 180° for BP3)



**INTERIOR WALL BOTTOM PANEL PLAN (BP3)**  
 (1-required)



**EXTERIOR WALL BOTTOM PANEL PLAN (BP4)**  
 (1-required)

DESIGNED - T.P.L.
CHECKED - M.D.C., S.M.S.
DRAWN - P.J.L.
CHECKED - J.L.B.

Notes:  
 Steel Wall Panels assembly shall be galvanized according to AASHTO M111 after fabrication.  
 All steel plate and channels used in the Wall Panels shall be AASHTO M270 Grade 36.  
 Following fabrication and prior to galvanizing the Wall Panels will have the letters shown in parenthesis next to their title placed on it in 2<sup>1</sup>/<sub>2</sub>" tall by 3/16" thick block capital letters using weld bead and centered on the front face of the panels.

**WALL PANEL PLAN  
 MOVABLE LEVEE CLOSURE STRUCTURE**

<b>HAMPTON, LENZINI &amp; RENWICK, INC.</b> CIVIL & STRUCTURAL ENGINEERS LAND SURVEYORS <b>HLR</b> 3085 STEVENSON DRIVE, SUITE 201 SPRINGFIELD, ILLINOIS 62703 (217) 546-3400 PROJECT NUMBER: 08.0214.130 DATE: 10/01/09	SHEET NO. 12	FAP	SECTION	COUNTY	TOTAL SHEETS	SHEET NO.
	14 SHEETS	869	(105)RS-2	SALINE	82	47
		IL-34 HARRISBURG		CONTRACT NO. 78079		
		FED. ROAD DIST. NO.	ILLINOIS	FED. AID PROJECT		