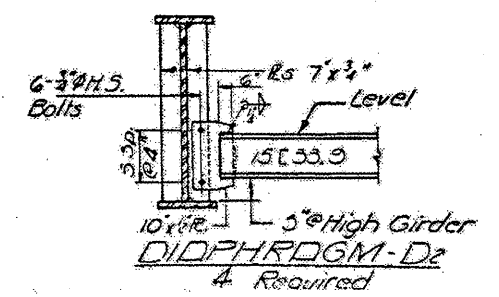
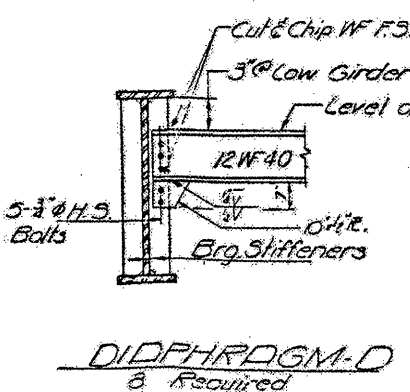
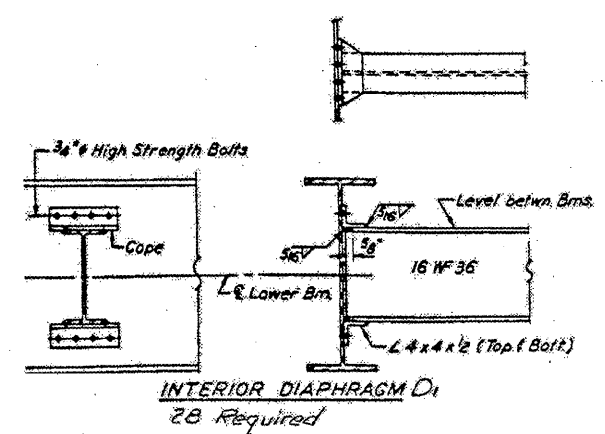


NOTE B
1/2" Holes for 1" anchor bolts.
2 1/2" x 2 1/2" x 5/16" R. Washers
under nut.

BEARING ASSEMBLY DETAILS



CROSS FRAMES &
BEDDING DETAILS
BRIDGE NO. 1
FOR INFORMATION ONLY

FILE NAME =	USER NAME = gautneyrk	DESIGNED -	REVISED -	STATE OF ILLINOIS DEPARTMENT OF TRANSPORTATION	SCALE: _____ SHEET NO. _____ OF _____ SHEETS STA. _____ TO STA. _____	F.A.S. RTE. 903 815	SECTION (X1-4)P-1, (97-1)P-1	COUNTY WILLIAMSON, WHITE	TOTAL SHEETS 10	SHEET NO. 7	
	PLOT SCALE = 4915.2000 / IN.	DRAWN -	REVISED -								
	PLOT DATE = 8/24/2009	CHECKED -	REVISED -								
		DATE -	REVISED -								
						CONTRACT NO. 78139 ILLINOIS FED. AID PROJECT					