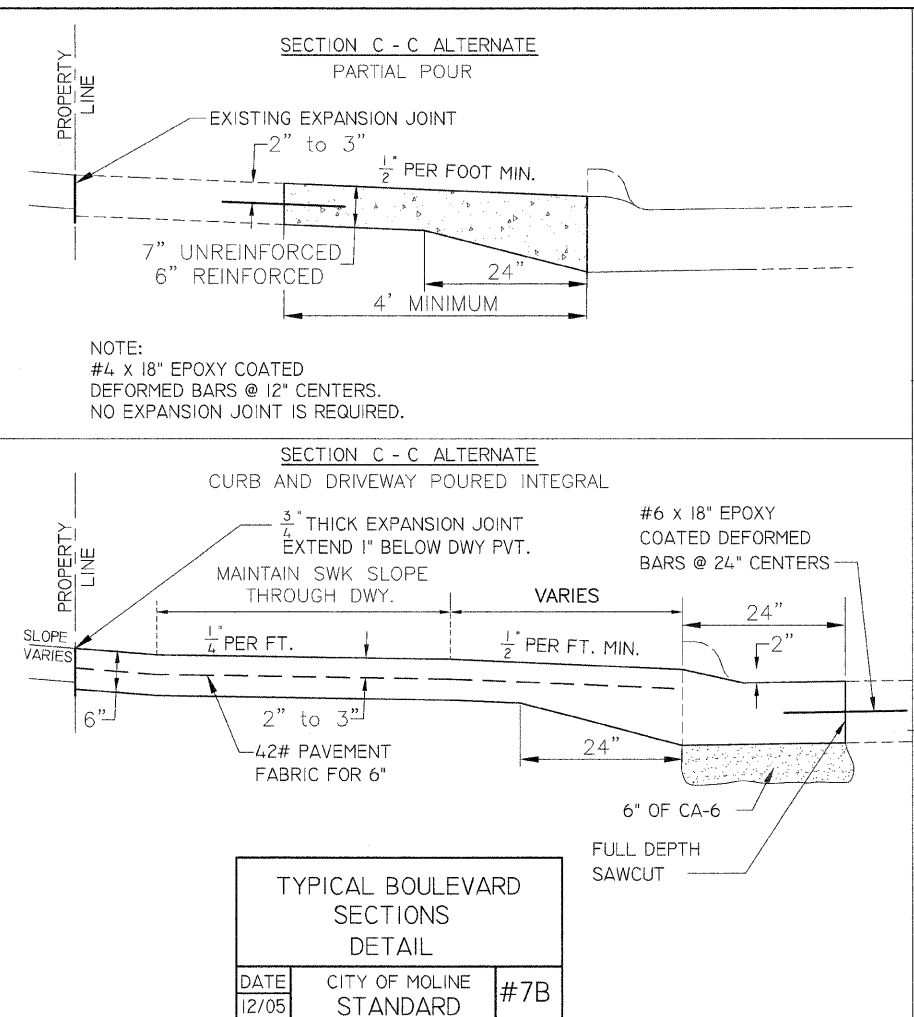


TYPICAL BOULEVARD SECTIONS DETAIL
 DATE: 2/05 CITY OF MOLINE STANDARD #7A

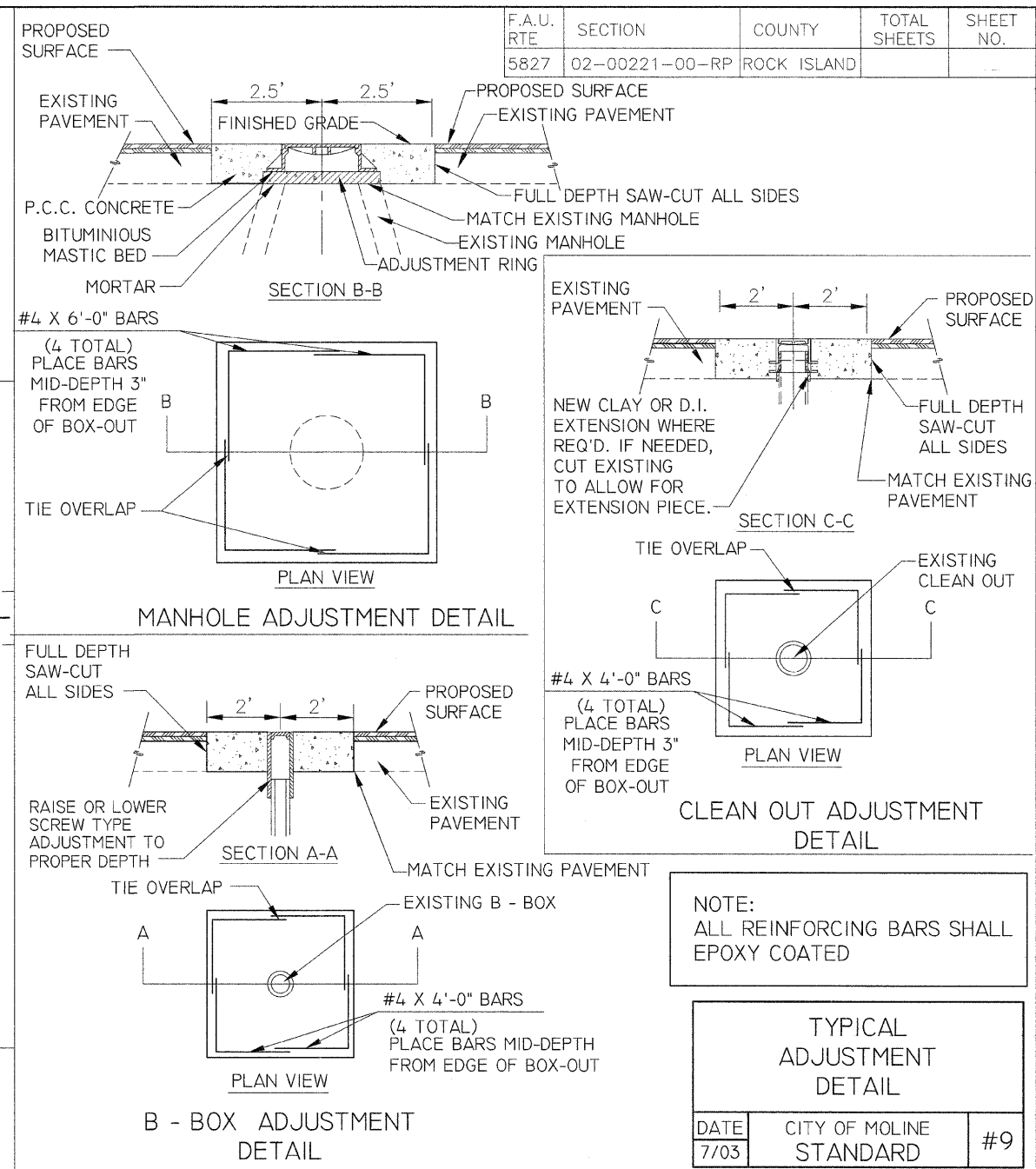
NOTE:
 CONSTRUCTION SHALL BE IN ACCORDANCE WITH STATE OF ILL. STANDARD SPECIFICATIONS NO MORE THAN ONE DRIVEWAY PER LOT ALL JOINTS AT BACK OF CURB SHALL BE SEALED WITH APPROVED POURED JOINT SEALER.

WHERE THE STREET PAVEMENT HAS 6\"/>



TYPICAL BOULEVARD SECTIONS DETAIL
 DATE: 12/05 CITY OF MOLINE STANDARD #7B

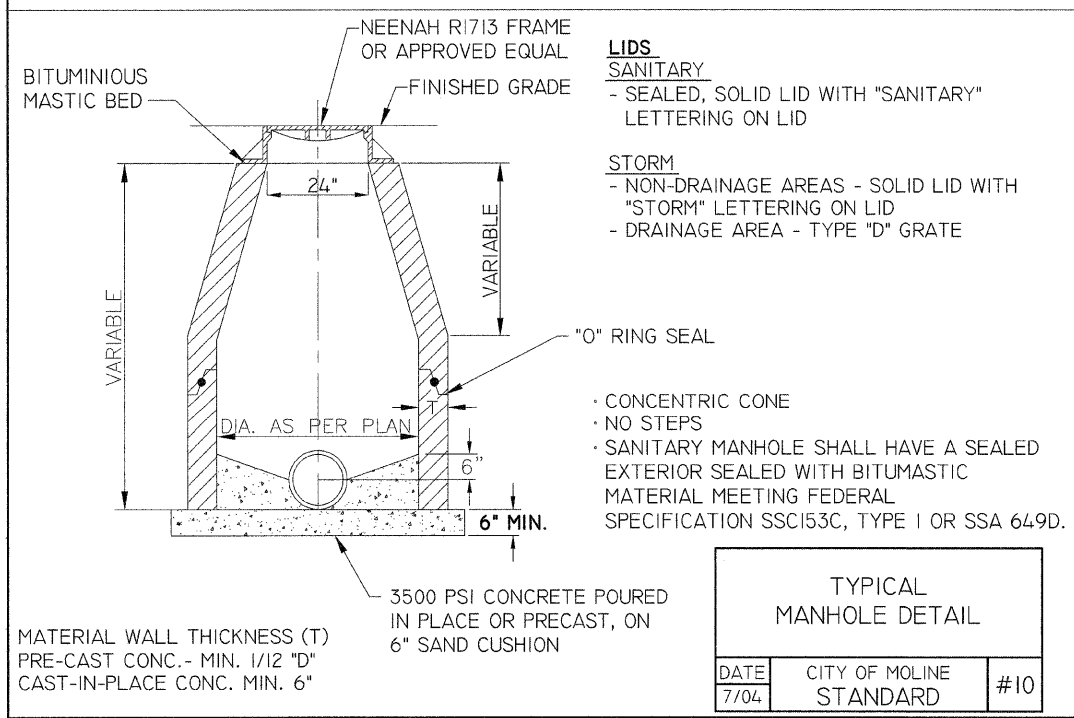
REINFORCING SHALL BE MESH WEIGHING 42 LBS. PER 100 SQUARE FEET. WHERE THE STREET PAVEMENT HAS 4\"/>



F.A.U. RTE	SECTION	COUNTY	TOTAL SHEETS	SHEET NO.
5827	02-00221-00-RP	ROCK ISLAND		

NOTE:
 ALL REINFORCING BARS SHALL EPOXY COATED

TYPICAL ADJUSTMENT DETAIL
 DATE: 7/03 CITY OF MOLINE STANDARD #9



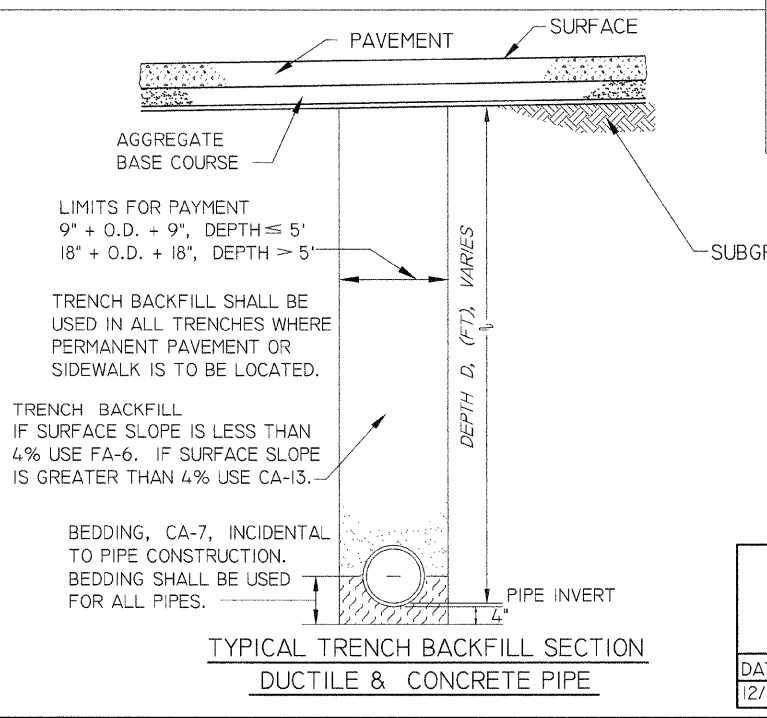
TYPICAL MANHOLE DETAIL
 DATE: 7/04 CITY OF MOLINE STANDARD #10

LIDS
 - SANITARY - SEALED, SOLID LID WITH "SANITARY" LETTERING ON LID
 - STORM - NON-DRAINAGE AREAS - SOLID LID WITH "STORM" LETTERING ON LID
 - DRAINAGE AREA - TYPE "D" GRATE

"O" RING SEAL

- CONCENTRIC CONE
- NO STEPS
- SANITARY MANHOLE SHALL HAVE A SEALED EXTERIOR SEALED WITH BITUMASTIC MATERIAL MEETING FEDERAL SPECIFICATION SSC153C, TYPE I OR SSA 649D.

MATERIAL WALL THICKNESS (T) PRE-CAST CONC. - MIN. 1/12 "D" CAST-IN-PLACE CONC. MIN. 6"



TYPICAL TRENCH BACKFILL SECTION DUCTILE & CONCRETE PIPE

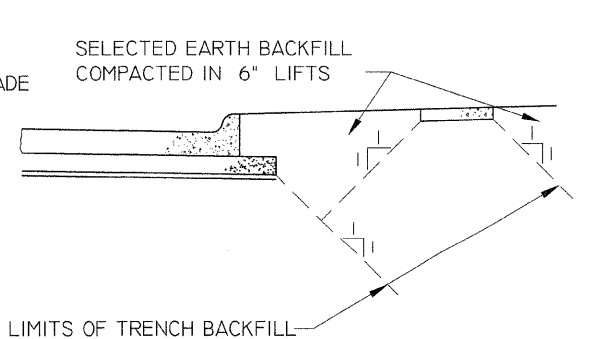
LIMITS FOR PAYMENT
 9" + O.D. + 9", DEPTH ≤ 5'
 18" + O.D. + 18", DEPTH > 5'

TRENCH BACKFILL SHALL BE USED IN ALL TRENCHES WHERE PERMANENT PAVEMENT OR SIDEWALK IS TO BE LOCATED.

TRENCH BACKFILL IF SURFACE SLOPE IS LESS THAN 4% USE FA-6. IF SURFACE SLOPE IS GREATER THAN 4% USE CA-13.

BEDDING, CA-7, INCIDENTAL TO PIPE CONSTRUCTION. BEDDING SHALL BE USED FOR ALL PIPES.

BEDDING AND TRENCH BACKFILL
 DATE: 12/05 CITY OF MOLINE STANDARD #13



NOTE:
 THE FOLLOWING TABLES WILL BE USED TO DETERMINE THE VOLUME OF TRENCH BACKFILL TO BE PAID FOR.

STORM SEWER THE I.D.O.T., BUREAU OF CONSTRUCTION "TRENCH BACKFILL TABLE"

SANITARY SEWER & WATER MAIN TABLES FROM THE STANDARD SPECIFICATION FOR WATER AND SEWER IN ILLINOIS



DEPARTMENT OF PUBLIC WORKS / ENG. DIV. (309) 707-0700
 3635 4TH AVENUE, MOLINE, IL 61265
 7TH STREET RECONSTRUCTION & WIDENING
 33RD AVE TO SOUTH OF WILDWOOD DRIVE
 DETAILS

DESIGNED: MEF SHEET 22 OF 34
 DRAWN: MEF PROJECT NO. MFT221