

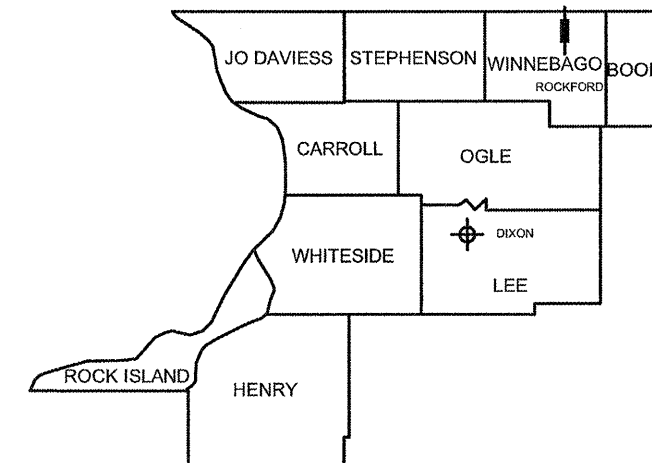
**STATE OF ILLINOIS
DEPARTMENT OF TRANSPORTATION
PLANS FOR PROPOSED LOCAL AGENCY IMPROVEMENT
FEDERAL-AID PROJECT**

FAU 9888/ CH 52 (WILLOWBROOK ROAD)
SECTION 04-00383-00-WR
PROJECT NO. ARA-5099(093)
JOB NO. C-92-170-09
CONTRACT NO. 85472

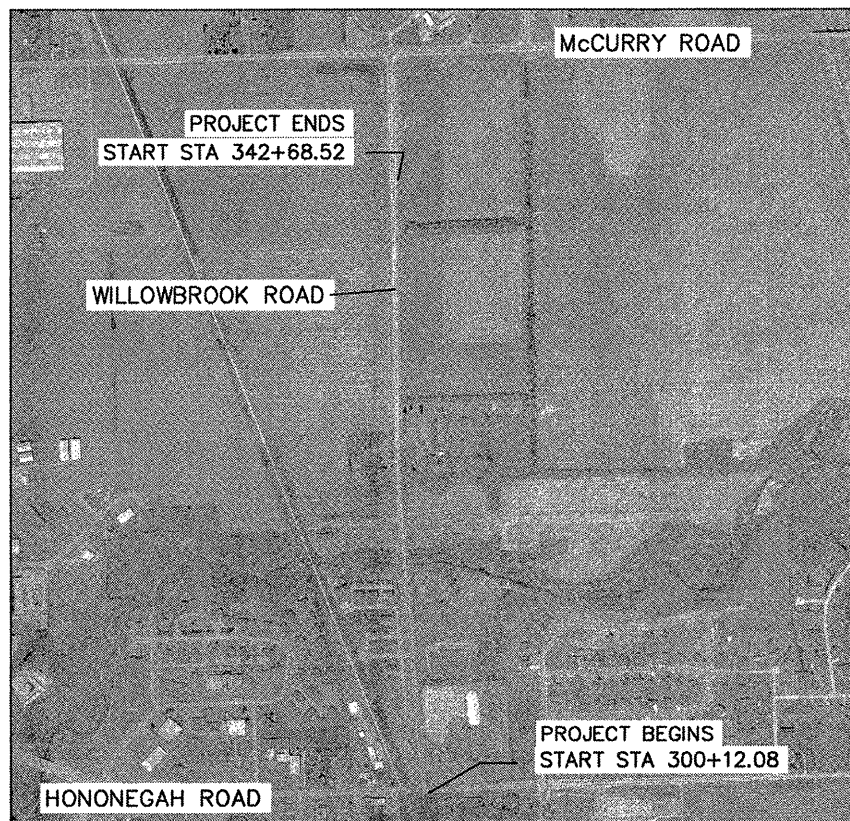


INDEX OF SHEETS

SHEET NO.	SHEET NAME
1.	COVER SHEET
2.	GENERAL NOTES
3.	SUMMARY OF QUANTITIES
4.	SCHEDULE OF QUANTITIES
5.	TYPICAL SECTIONS & DETAILS
6-8.	PLAN SHEETS



⊕ DISTRICT HEADQUARTER | PROJECT LOCATION



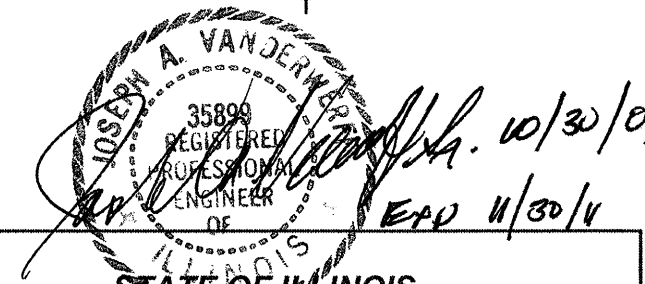
PROJECT LOCATION

WILLOWBROOK ROAD:
NET LENGTH: 4268.5 FT (0.80 MILES)
ADT : 3,100 (2009) TRUCK: 2%
RURAL COLLECTOR
45 MPH DESIGN SPEED

CALL J.U.L.I.E.
BEFORE YOU DIG
1-800-892-0123
T.46 N. - R.2 E.
SEC. 28

STANDARDS

406201-01	MAILBOX TURNOUT
701001-02	OFF-RD OPERATIONS 2L, 2W, MORE THAN 15' AWAY
701006-03	OFF-RD OPERATIONS 2L, 2W 4.5M (15') TO PAVEMENT EDGE FOR SPEEDS ≥ 45 MPH
701101-02	OFF-RD OPERATIONS 2L, 2W, 15' TO 24' FROM PAVEMENT EDGE
701201-03	LANE CLOSURE, 2L, 2W, DAY ONLY FOR SPEEDS ≥ 45 MPH
701301-03	LANE CLOSURE, 2L, 2W, SHORT TIME OPERATIONS
701306-02	LANE CLOSURE, 2L, 2W, SLOW MOVING OPERATIONS DAY ONLY, FOR SPEEDS ≥ 45 MPH
701311-03	LANE CLOSURE, 2L, 2W, MOVING OPERATIONS - DAY ONLY
701326-03	LANE CLOSURE, 2L, 2W, PAVEMENT WIDENING FOR SPEEDS ≥ 45 MPH
701901-01	TRAFFIC CONTROL DEVICES
720011-01	METAL POSTS FOR SIGNS, MARKERS & DELINEATORS
728001-01	TELESCOPING STEEL SIGN SUPPORT
780001-02	TYPICAL PAVEMENT MARKINGS
729001-01	APPLICATIONS OF TYPES A&B METAL POSTS (FOR SIGNS & MARKERS)
BLR 21-8	TYPICAL APPLICATION OF TRAFFIC CONTROL DEVICES FOR CONSTRUCTION ON RURAL LOCAL HIGHWAYS



**STATE OF ILLINOIS
DEPARTMENT OF TRANSPORTATION
DIVISION OF HIGHWAYS**

APPROVED October 30 20 09
[Signature]
WINNEBAGO COUNTY ENGINEER

PASSED NOV 12 2009 20
[Signature]
DISTRICT 2 ENGINEER OF LOCAL ROADS & STREETS

RELEASING FOR BID
BASED ON LIMITED
REVIEW NOV 12 2009 20
[Signature]
DEPUTY DIRECTOR OF HIGHWAYS, REGION 2 ENGINEER



GENERAL NOTES

GENERAL NOTES AND CONDITIONS

All earthwork, grading and paving shall be performed in accordance with the "Standard Specifications for Road and Bridge Construction, State of Illinois Department of Transportation, adopted January 1, 2007"; the "Supplemental Specifications and Recurring Special Provisions" (current addition), and all revisions and supplements thereto, and the requirements and specifications of the County of Winnebago.

DISCRIPTION OF WORK

UTILITIES

Exact horizontal and vertical locations of existing utilities shall be determined by the Contractor at no additional cost to the contract. Locations and depths shown on these plans are only schematic representation.

The Contractor shall be responsible for protecting utility property during construction operations as outlined in Article 107.31 of the Standard Specifications. The phone number for J.U.L.I.E. is 800-892-0123. The utilities located within the project limits or immediately adjacent to the project construction limits are members of J.U.L.I.E.

Commonwealth Edison
123 Energy Ave.
Rockford, IL 61109
Phone - (815) 490-2869

Nicor Gas
300 W. Terra Cotta
Crystal Lake, IL 60014
Phone - (815) 455-0271

South Beloit Sewer
R.H. Batterman & Co., Inc.
2857 Bartells Dr,
Beloit, WI. 53511
Phone - (815) 387-7660

SBC
301 E. Milwaukee St.
Janesville, WI. 53545
Phone - (608) 5589

North Park Water District
1350 Turret Drive
Machesney Park, IL. 61115
Phone - (815) 633-5461

Charter Communication
1348 Plainfield Ave.
Janesville, WI
Phone - (608) 373-7537

Abandoned underground utilities that conflict with construction or have the potential for creating future problems shall be disposed of outside the limits of the right-of-way according to Article 202.03 of the standard specifications and as directed by the Engineer.

The Contractor is responsible for maintaining positive drainage at the conclusion of each working day.

All private entrances and side road approaches shall be bladed and rolled, as directed by the Engineer, prior to placing Hot Mix Asphalt. This work shall not be paid for separately but shall be considered incidental to INCIDENTAL HMA SURFACING. As provided in the plan quantities and shall be used only as needed and as directed by the Engineer.

HOT-MIX ASPHALT

The following Mixture requirements are applicable for this project:

MIXTURE USE(S):	SURFACE	BINDER
PG:	PG 64-22	PG 64-22
DESIGN AIR VOIDS:	4.0 @ N70	4.0 @ N50
MIXTURE COMPOSITION (GRADATION MIXTURE):	IL 9.5 or 12.5	IL 19.0
FRICITION AGGREGATE:	N	N/A
20 YEAR ESAL:	0.7	0.7
MIX UNIT WEIGHT	112 lbs/sy/in	

SHORT TERM PAVEMENT MARKING

Striping removal shall be incidental to SHORT TERM PAVEMENT MARKING. This work will not be paid for separately and shall be considered incidental to the contract and no additional compensation shall be allowed.

ROUTE
63SECTION
04-00383-00-WRSHEET
03 OF 08

SUMMARY OF QUANTITIES

CONSTRUCTION TYPE CODE: I 000

SUMMARY OF QUANTITIES

Item No	Item	Unit	QTY
40600200	BITUMINOUS MATERIALS (PRIME COAT)	TON	7.00
40600625	LEVELING BINDER (MACHINE METHOD), N50	TON	500.00
40603340	HOT-MIX ASPHALT SURFACE COURSE, MIX "D", N70	TON	1,524.00
40800050	INCIDENTAL HOT-MIX ASPHALT SURFACING	TON	33.00
48101200	AGGREGATE SHOULDERS, TYPE B	TON	700.00
58100200	WATERPROOFING MEMBRANE SYSTEM	SQ YD	285.00
67100100	MOBILIZATION	L SUM	1.00
70101700	TRAFFIC CONTROL AND PROTECTION	L SUM	1.00
70300100	SHORT-TERM PAVEMENT MARKING	FOOT	776.00
*78000400	THERMOPLASTIC PAVEMENT MARKING - LINE 6"	FOOT	11,764.00
Z0011500	COLD MILLING EXISTING SURFACE	SQ YD	895.00

*SPECIALITY ITEMS



BITUMINOUS MATERIALS (PRIME COAT)	(TON)
Willowbrook Road	7.00
TOTAL	7.00

LEVELING BINDER (MACHINE METHOD), N50, 3/4"	(TON)
Willowbrook Road	500.00
TOTAL	500.00

HMA SURFACE COURSE, MIX "D", N70, 2 1/2"	(TON)
Willowbrook Road	1,524.00
TOTAL	1,524.00

INCIDENTAL HOT-MIX ASPHALT SURFACING, 3"	(TON)
STA 323+72, LT	11.00
STA 324+91, RT	11.00
STA 326+86, RT	11.00
TOTAL	33.00

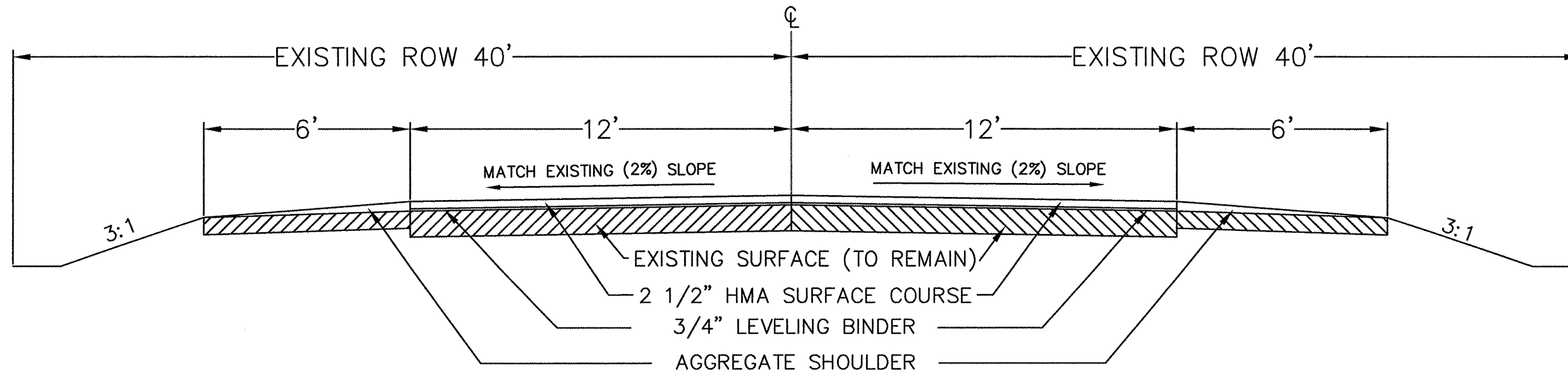
AGGREGATE SHOULDERS TYPE B	(TON)
Willowbrook Road	700.00
TOTAL	700.00

WATERPROOFING MEMBRANE SYSTEM	(SQ. YD.)
STA 315+77 TO 316+68	285.00
TOTAL	285.00

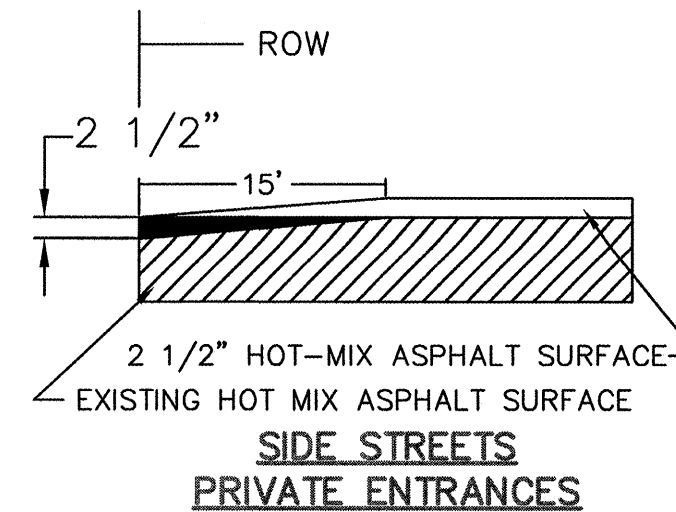
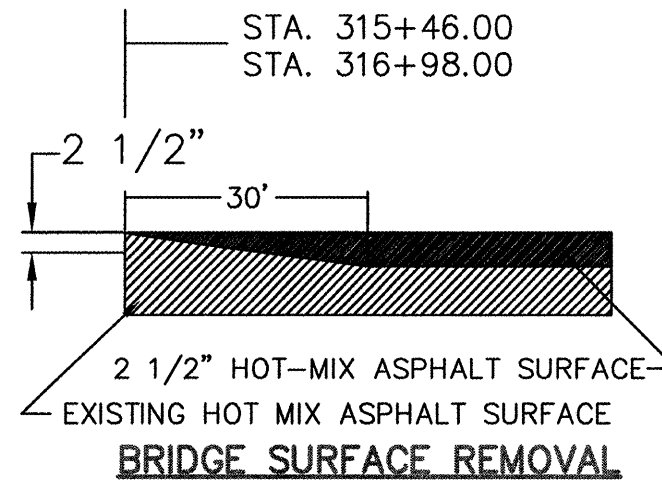
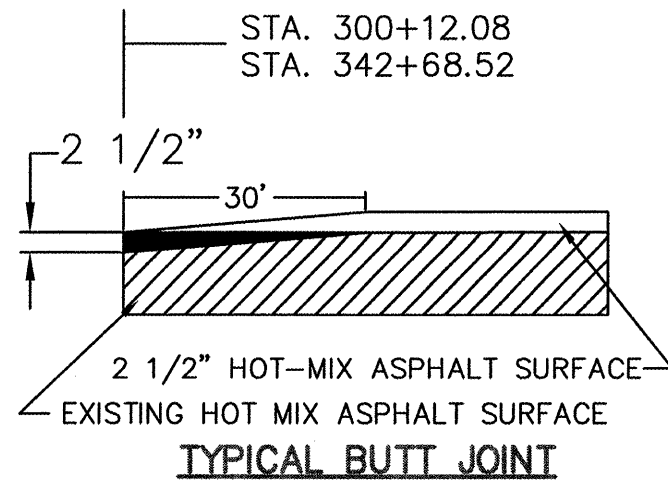
SHORT TERM PAVEMENT MARKING	(FEET)
6" YELLOW	776.00
TOTAL	776.00

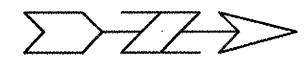
THERMOPLASTIC PAVEMENT MARKING LINE 6"	(FEET)
6" WHITE	7,128.00
6" YELLOW	4,636.00
TOTAL	11,764.00

COLD MILLING EXISTING SURFACE	(SQ. YD.)
Willowbrook Road	244.00
Bridge (315+46 TO 316+98)	372.00
Entrances, RT & LT	279.00
TOTAL	895.00

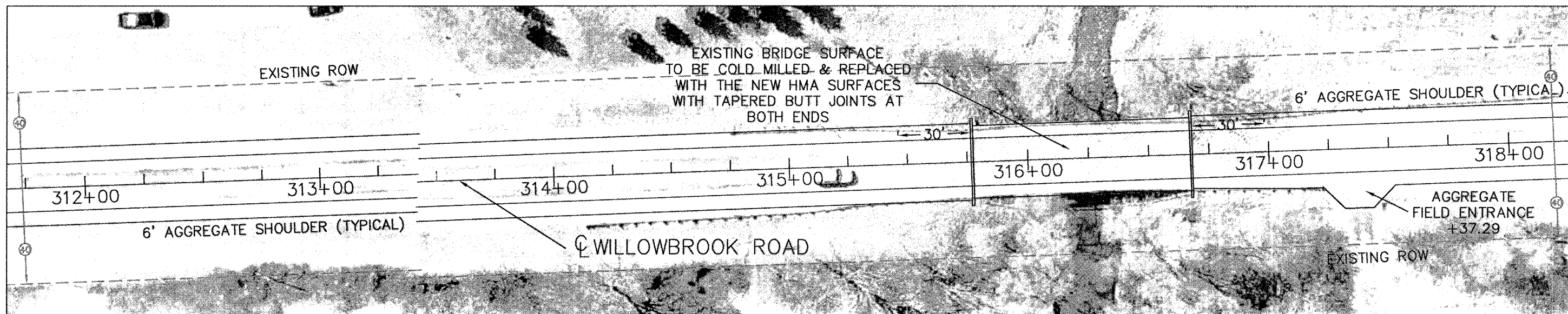
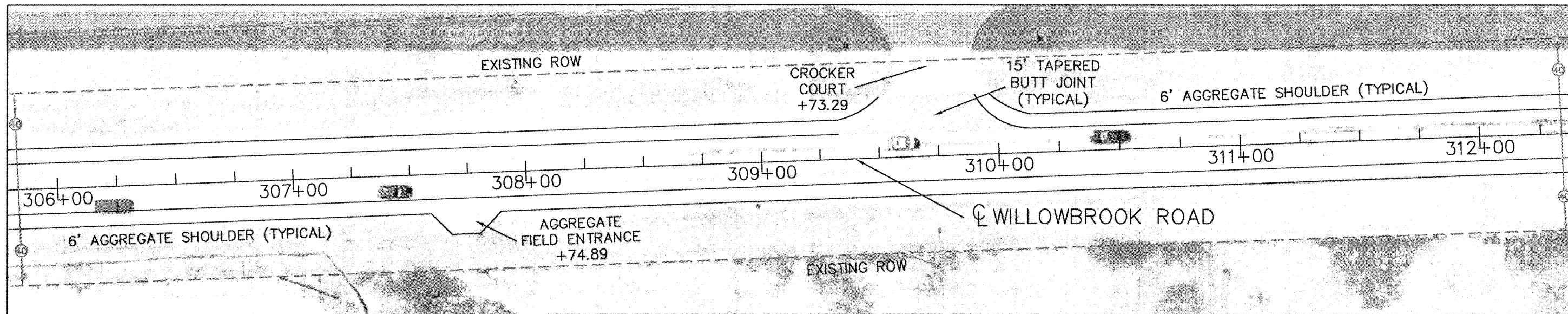
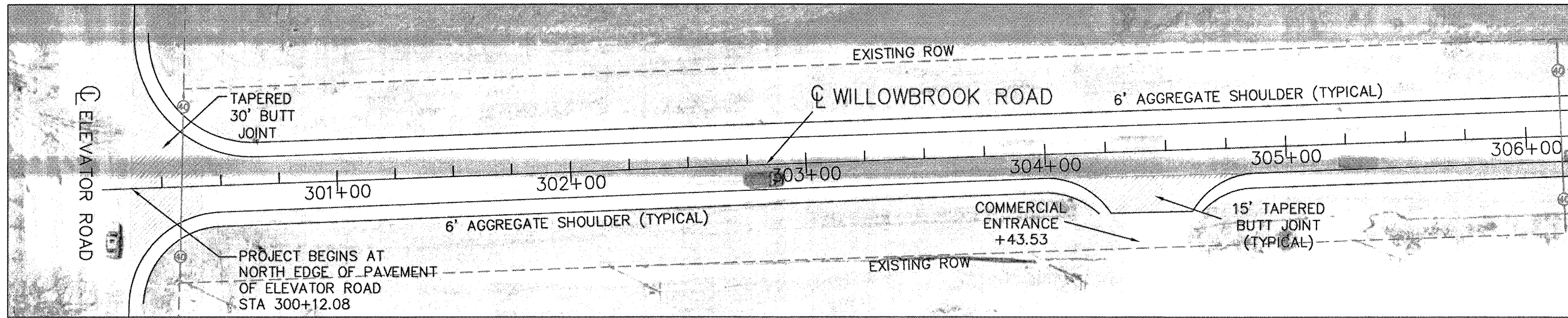


SECTION 06-00383-00-RS
COUNTY HIGHWAY 52 (WILLOWBROOK ROAD)
STA. 300+00 TO STA. 342+67





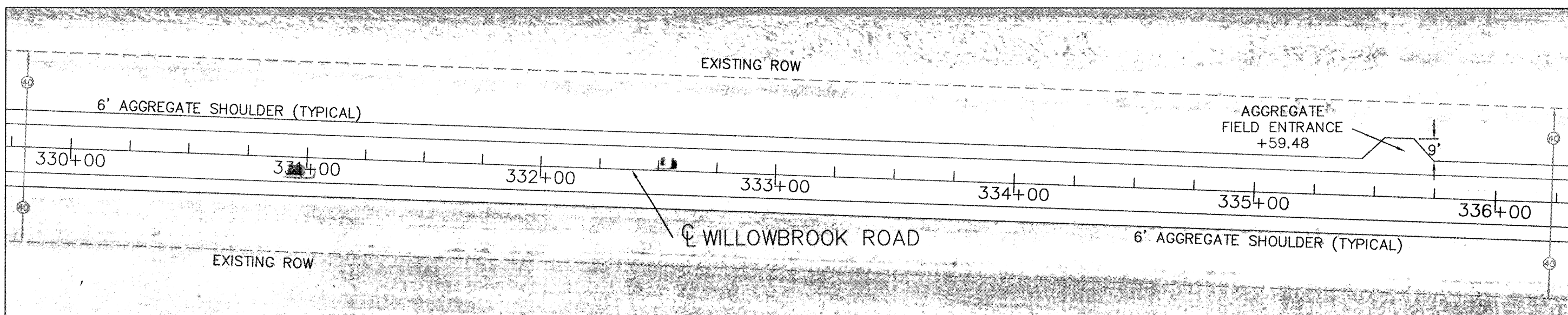
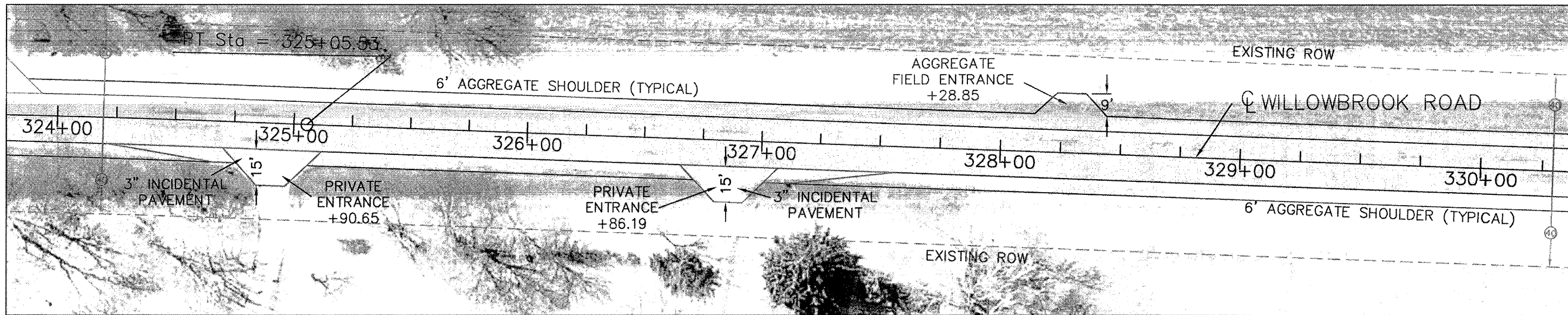
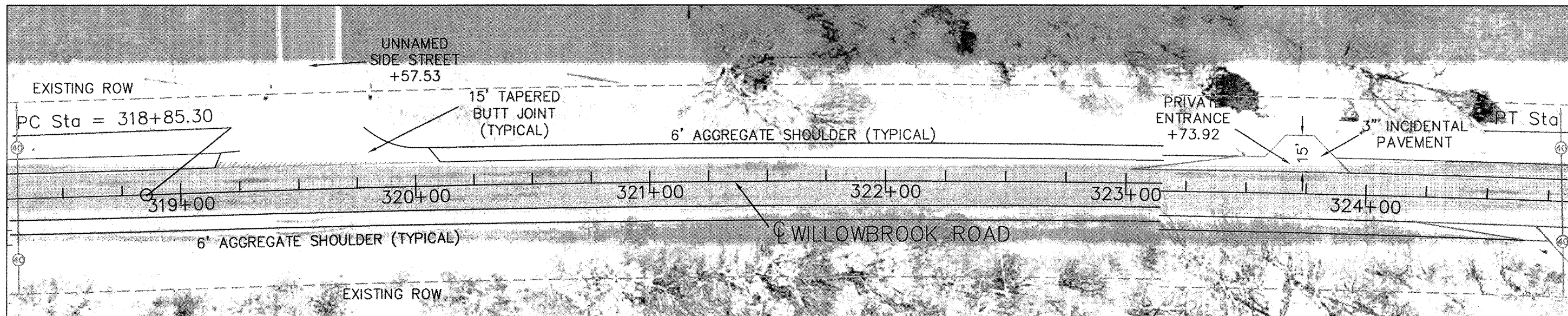
NOT TO SCALE



NOT TO SCALE



ROUTE 52 SECTION 06-00383-00-RS SHEET 07 OF 08
WILLOWBROOK RD, STA 319+00-STA 336+00



WILLOWBROOK ROAD



NOT TO SCALE

