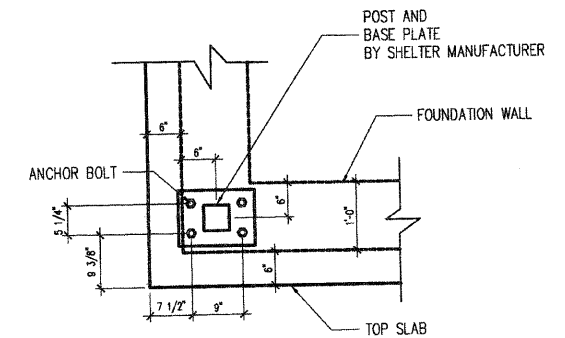
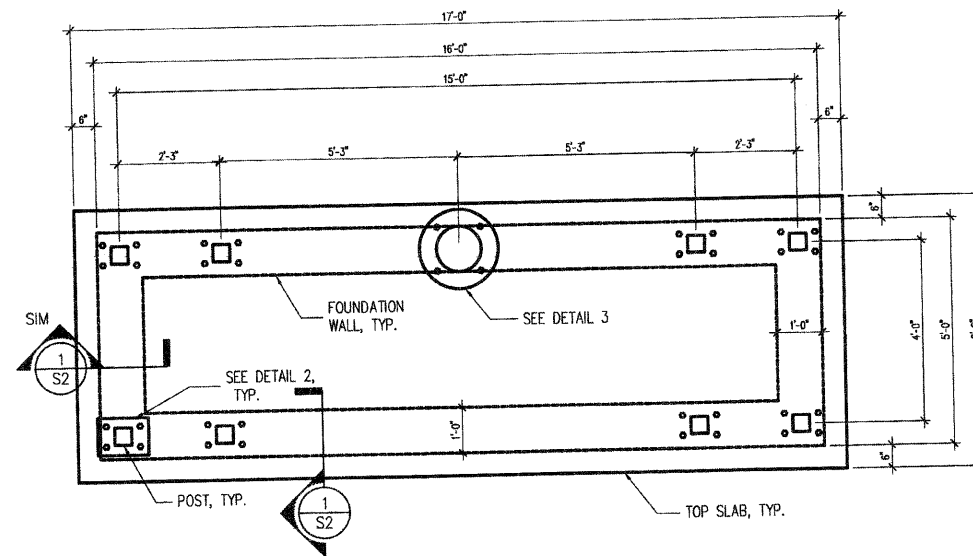
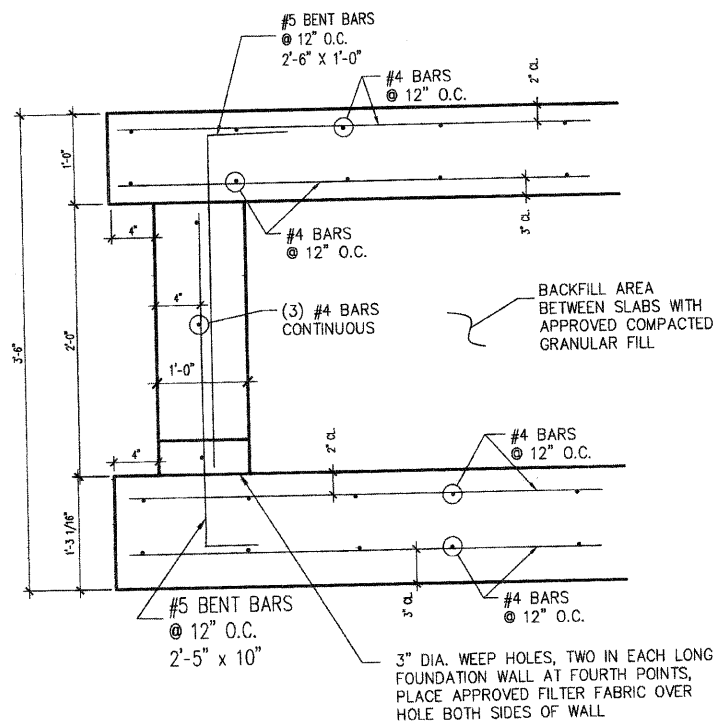


- SUGGESTED SEQUENCE TEXTURED COLORED CONCRETE NOTES:**
1. CONSTRUCT UNDERGROUND UTILITIES AND LIGHT POLE FOUNDATIONS
  2. SET FORMS DEFINING PCC SIDEWALK, TEXTURED, COLORED, 4"
  3. REVIEW LAYOUT WITH OWNER
  4. POUR PLAIN PCC SIDEWALK, 4"
  5. SAWCUT JOINTS IN PLAIN PCC SIDEWALK, 4"
  6. POUR PCC SIDEWALK, TEXTURED, COLORED, 4". PROTECT PLAIN SIDEWALK & PAVEMENT FROM STAINING
  7. SAWCUT JOINTS IN PCC SIDEWALK, TEXTURED, COLORED, 4"
  8. SEAL TEXTURED COLORED SIDEWALK

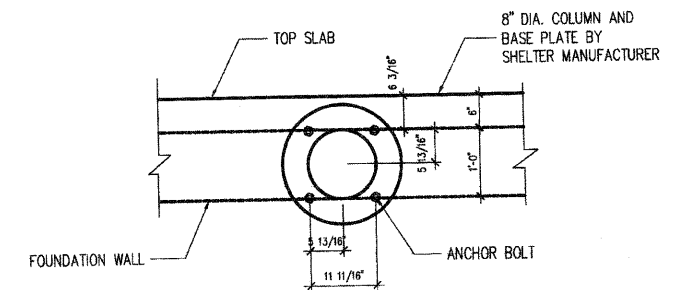
**1 DETAIL PCC SIDEWALK, TEXTURED, COLORED, 4"**  
 NOT TO SCALE



**4 POST ANCHOR BOLT DETAIL**  
 3/4"=1'-0"



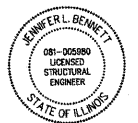
- NOTES:**
1. CONCRETE COMPRESSIVE STRENGTH SHALL BE 4000 PSI AT 28 DAYS.
  2. ANCHOR BOLTS SHALL BE KWIK BOLT 3 STAINLESS STEEL, 5/8" DIA., 4" MIN. EMBEDMENT.
  3. VERIFY POST SPACING WITH SHELTER MANUFACTURER.
  4. VERIFY ANCHOR BOLT SPACING WITH SHELTER MANUFACTURER.
  5. MAINTAIN 4" MIN. EDGE DISTANCE FROM ANCHOR BOLTS TO EDGE OF TOP SLAB AND 3 1/2" MIN. ANCHOR BOLT SPACING.
  6. ADJUST FOUNDATION PLAN AND ANCHOR BOLT DIMENSIONS ACCORDING TO NOTES 3, 4, AND 5.
  7. ALLOWABLE SOIL BEARING CAPACITY SHALL BE 1,000 PSF MIN.
  8. REINFORCEMENT SHALL HAVE MINIMUM YIELD STRENGTH OF 60 KSI.



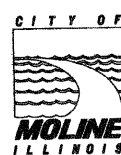
**5 COLUMN ANCHOR BOLT DETAIL**  
 3/4"=1'-0"

**2 SECTION THRU FOUNDATION WALL**  
 NOT TO SCALE

**3 BUS SHELTER FOUNDATION PLAN**  
 NOT TO SCALE



Signature: *Jennifer L. Bennett*  
 Date: 10-2-09  
 Exp. Date: 11-30-10



CITY OF MOLINE  
 DEPARTMENT OF PUBLIC WORKS - ENGINEERING DIVISION  
 3635 4TH AVENUE, MOLINE, IL 61265  
 (309) 797-0700  
 CITY ENGINEER - SCOTT HINTON, P.E.

5TH AVENUE  
 STREETScape DETAILS

Date	Revision

Date	Sheet
09-30-09	29 of 50
Scale	NTS
MFT PROJ. #	DESIGNER
09-00242-00RP	