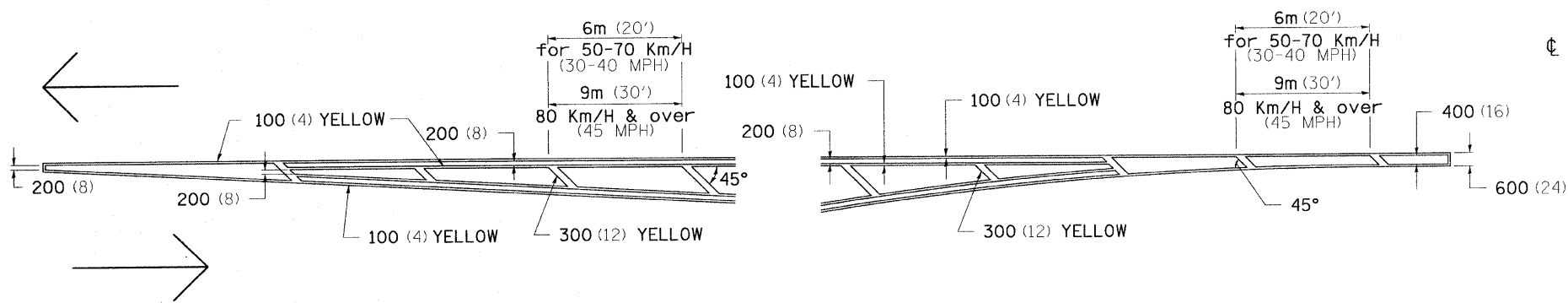
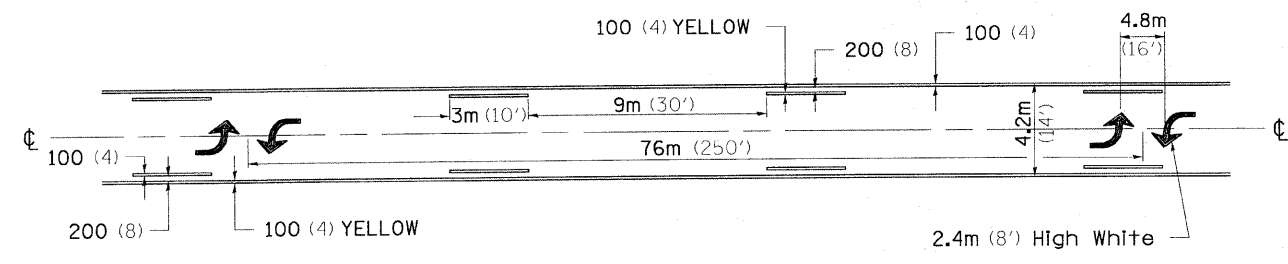


TYPICAL PAVEMENT MARKINGS

TYPICAL PAVEMENT MARKING FOR FLUSH MEDIAN AT LEFT TURN LANE

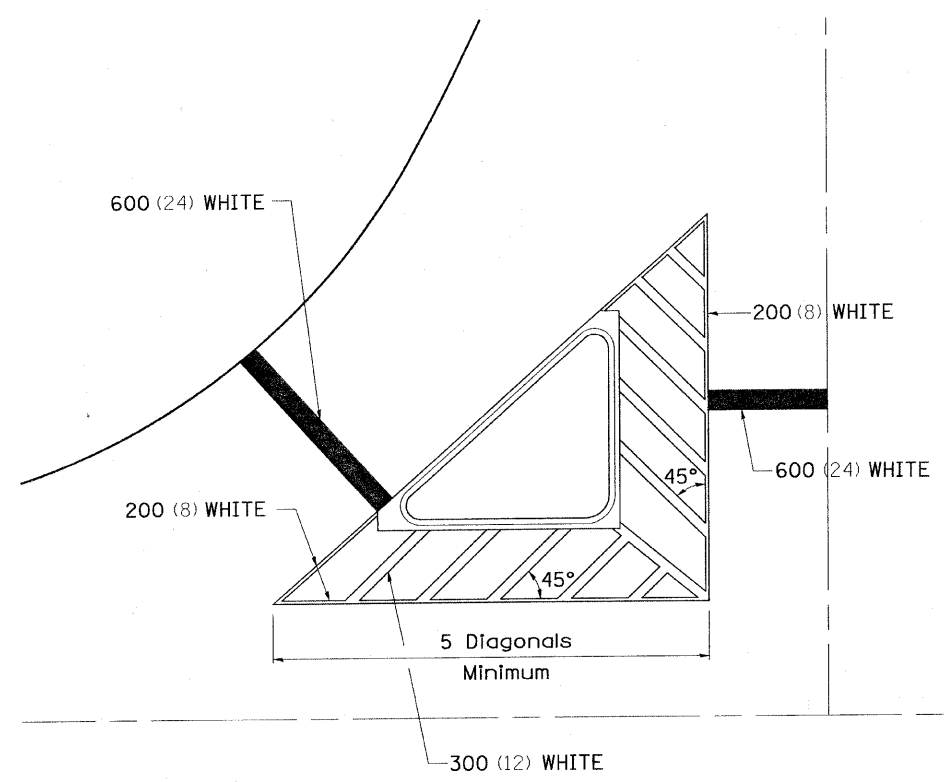


MEDIAN PAVEMENT MARKING

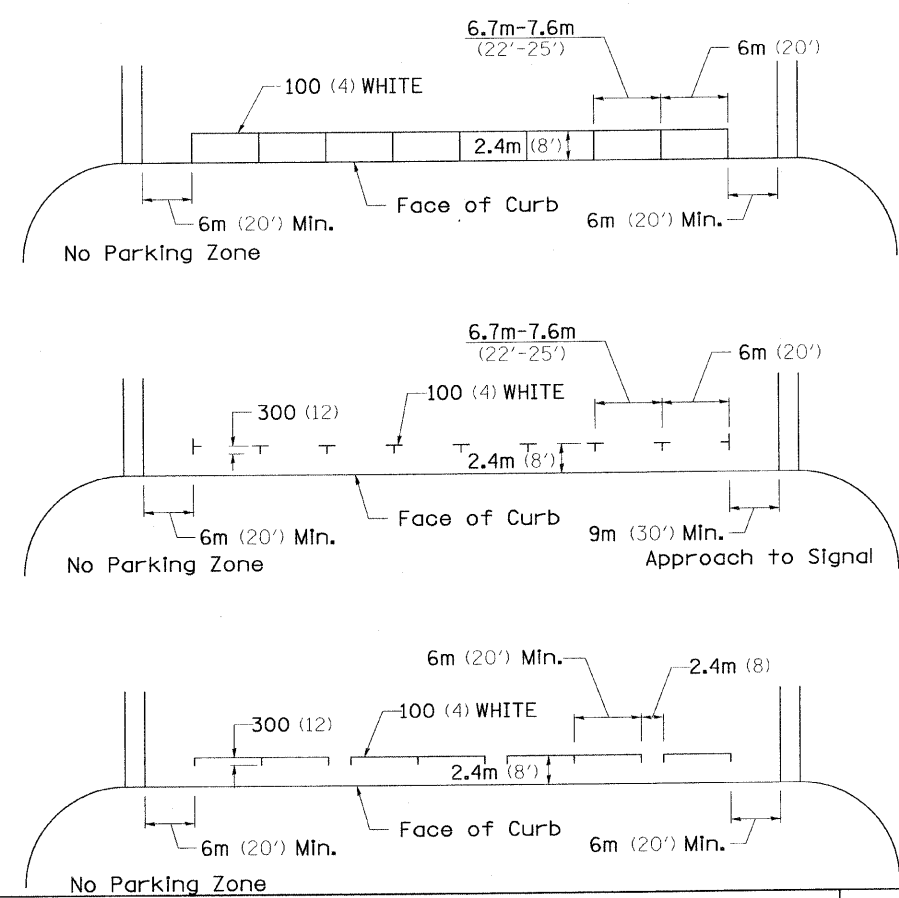


** ALL DIMENSIONS ARE IN MILLIMETERS (INCHES) UNLESS OTHERWISE NOTED.

TYPICAL ISLAND OFFSET SHOULDER WIDTH

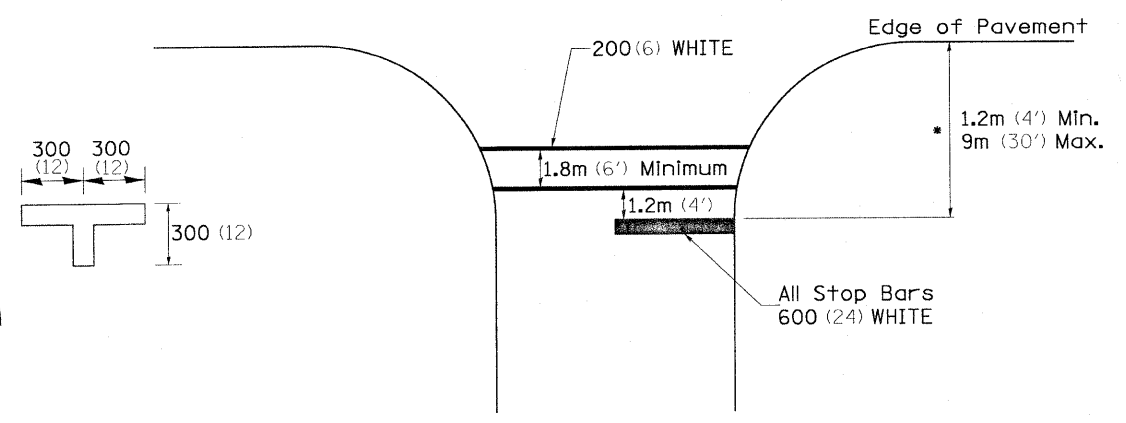


TYPICAL PARKING SPACING



STANDARD CROSSWALK MARKING

See Schedules for Locations



* Distance to the nearest edge of the intersecting roadway in the absence of a marked crosswalk.

FILE NAME: L:\Jobs\2009\09510236\F09_Sterling\16th Avenue\16th Ave Final Layout 10.28.09.dgn

WILLET, HOFMANN & ASSOCIATES, INC.
CONSULTING ENGINEERS
 809 East Second Street Dixon, IL 61021
 Phone: 815.284.3381 Fax: 815.284.3385
 Design Firm # 164-00916
 www.willett-hofmann.com

DESIGNED - BDF	REVISED -
DRAWN - JDH	REVISED -
CHECKED - BDF	REVISED -
DATE - 10/30/2009	REVISED -

CITY OF STERLING, ILLINOIS
AVENUE G AND 16TH AVENUE

TYPICAL PAVEMENT MARKINGS, DS 41.1

SCALE: SHEET NO. 28 OF 31 SHEETS

F.A. RTE.	SECTION	COUNTY	TOTAL SHEETS	SHEET NO.
	09-00147-00-RS	WHITESIDE	31	28
FED. ROAD DIST. NO. ILLINOIS FED. AID PROJECT				