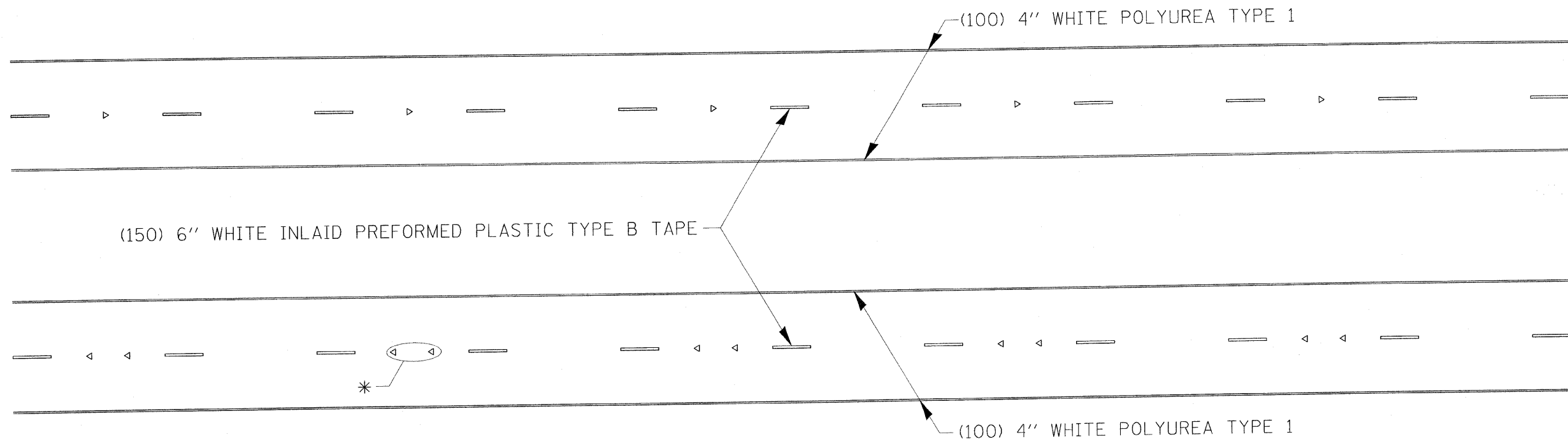
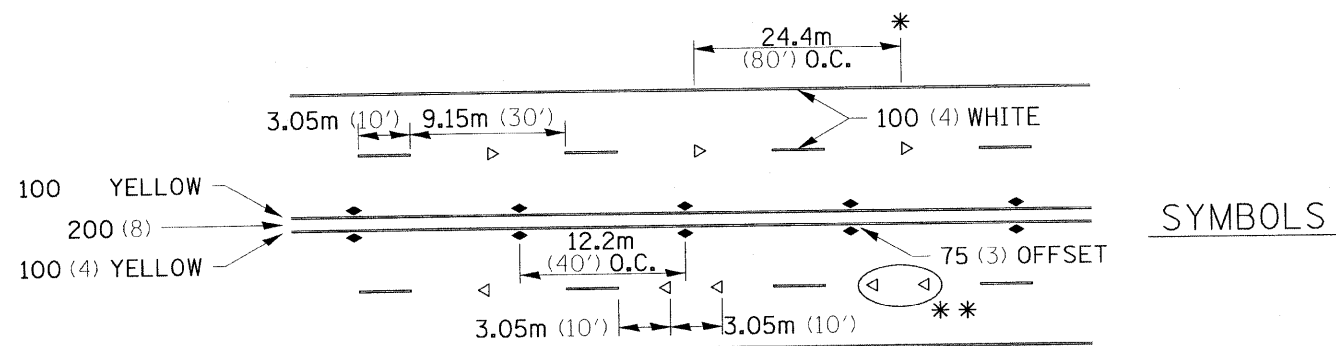


TYPICAL PAVEMENT MARKINGS



* SEE HIGHWAY STANDARD 781001 FOR SPACING DETAILS.
USE DOUBLE MARKERS WHEN ADT \geq 25,000.

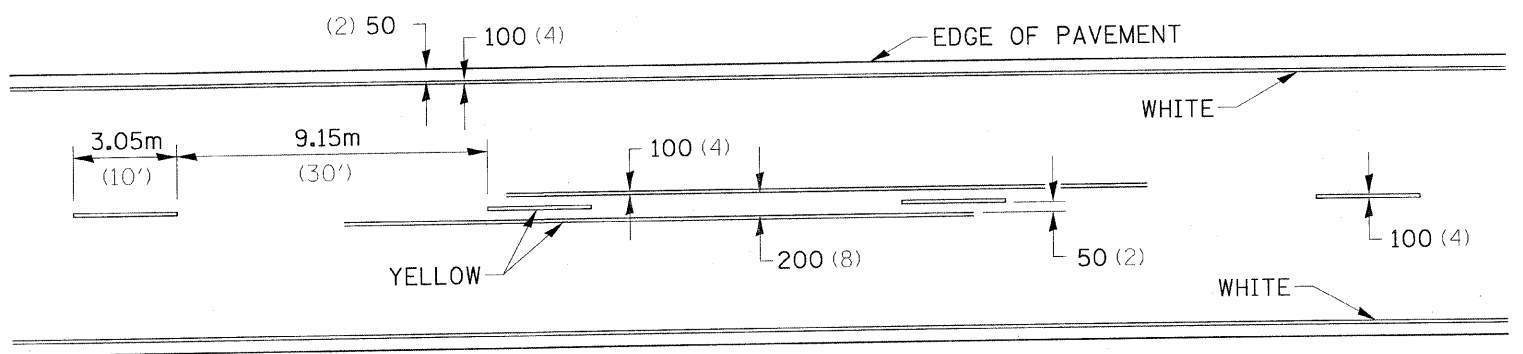
MULTI-LANE / DIVIDED



* REDUCE TO 12.2m (40') O.C. ON CURVES WHERE ADVISORY SPEEDS ARE 15Km/H (10MPH) LOWER THAN POSTED SPEEDS.
** USE DOUBLE MARKERS WHEN ADT \geq 25,000

MULTI-LANE / UNDIVIDED

TYPICAL PAVEMENT MARKING FOR TWO LANE SECTION - NO PASSING ZONES



SYMBOLS

FILE NAME: L:\Jobs\22091\DD91\0286\01_Surveying\16th Avenue\16th Ave Final Layout 12.28.09.dgn

WILLET, HOFMANN & ASSOCIATES, INC.
CONSULTING ENGINEERS
809 East Second Street Dixon, IL 61021
Phone 815.284.3381 Fax 815.284.3386
Design Firm # 184-00518
www.willettthofmann.com

DESIGNED - BDF	REVISED -
DRAWN - JDH	REVISED -
CHECKED - BDF	REVISED -
DATE - 10/30/2009	REVISED -

CITY OF STERLING, ILLINOIS
AVENUE G AND 16TH AVENUE

TYPICAL PAVEMENT MARKINGS, DS41.1

SCALE: SHEET NO. 30 OF 31 SHEETS

F.A. RTE.	SECTION	COUNTY	TOTAL SHEETS	SHEET NO.
	09-00147-00-RS	WHITESIDE	31	30
FED. ROAD DIST. NO. ILLINOIS FED. AID PROJECT			CONTRACT NO. 85495	