

INDEX OF SHEETS

1	COVER SHEET
2	SUMMARY OF QUANTITIES AND HMA MIX DESIGN
3	TYPICAL SECTIONS
4-6	SCHEDULE OF QUANTITIES AND GENERAL NOTES
7-17	PLAN AND PROFILE SHEETS - AVENUE G
18	PAVEMENT MARKINGS - AVENUE G
19-24	PLAN AND PROFILE SHEETS - 16TH AVENUE
25-26	PAVEMENT MARKINGS - 16TH AVENUE
27	PAVEMENT PATCHING FOR HMA SURFACED PAVEMENT (DS 32.4)
28-30	TYPICAL PAVEMENT MARKINGS (DS 41.1)
31	ROUGH GROOVED SURFACE SIGN (DS 91.2)

STANDARDS

424001-05	CURB RAMPS FOR SIDEWALKS
442201-03	CLASS C AND D PATCHES
606001-04	CONCRETE CURB TYPE B AND COMBINATION CONCRETE CURB AND GUTTER
701006-03	OFF-ROAD OPERATIONS, 2-LANE, 2-WAY, 15' TO 24" FROM PAVEMENT EDGE
701301-03	LANE CLOSURE, 2-LANE, 2-WAY, SHORT TIME OPERATIONS
701311-03	LANE CLOSURE, 2-LANE, 2-WAY, MOVING OPERATIONS - DAY ONLY
701501-05	URBAN LANE CLOSURE, MULTILANE, 2-LANE, 2-WAY, UNDIVIDED
701801-04	LANE CLOSURE, MULTILANE, 1-WAY OR 2-WAY CROSSWALK OR SIDEWALK CLOSURE
701901-01	TRAFFIC CONTROL DEVICES
720011-01	METAL POSTS FOR SIGNS, MARKERS AND DELINEATORS
728001-01	TELESCOPING STEEL SIGN SUPPORT
729001-01	APPLICATIONS OF TYPES A AND B METAL POSTS (FOR SIGNS & MARKERS)
BLR 22-6	TYPICAL APPLICATION OF TRAFFIC CONTROL DEVICES FOR CONSTRUCTION ON RURAL LOCAL HIGHWAYS (2-LANE, 2-WAY, RURAL TRAFFIC) (ROAD CLOSED TO THRU TRAFFIC)

* IN PROPOSAL

UTILITIES

NAME AND ADDRESS OF UTILITIES	TYPE
AMERITECH 1908 PROPHET ROAD ROCK FALLS, IL. 61071 (815) 625-9958	TELEPHONE
NICOR GAS COMPANY 4651 LINDEN ROAD ROCKFORD, IL. 61109 (815) 965-5416	GAS
ComEd 919 WEST FIRST STREET DIXON, IL. 61021 (815) 284-5857	ELECTRIC
COMCAST COMMUNICATIONS P.O. BOX 580 1304 WEST ROUTE 30 ROCK FALLS, IL. 61071 (888) 736-6608	CABLE TV
ILLINOIS-AMERICAN WATER CO. 304 SECOND AVENUE STERLING, IL. 61081 (815) 625-3196	WATER
CITY OF STERLING 212 THIRD AVENUE STERLING, IL. 61081 (815) 626-8378	SANITARY & STORM SEWER

**STATE OF ILLINOIS
DEPARTMENT OF TRANSPORTATION**

**PLANS FOR
PROPOSED LOCAL AGENCY IMPROVEMENT
FEDERAL AID URBAN PROJECT**

**F.A.U. ROUTE 5571 (AVENUE G)
F.A.U. ROUTE 5581 (16TH AVENUE)
CITY OF STERLING
SECTION 09-00147-00-RS
PROJECT NO. ARA-5062(028)
JOB NO. C-92-186-09
CONTRACT NO. 85495
2010**

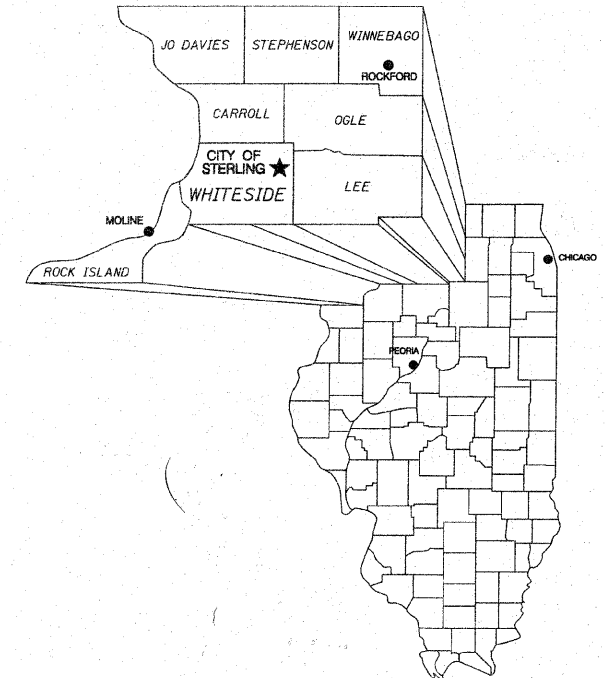
SCALES:

PLAN AND PROFILE



NET LENGTH = 4,036.0 FEET = 0.76 MILES (AVENUE G)
NET LENGTH = 2,170.0 FEET = 0.41 MILES (16TH AVENUE)

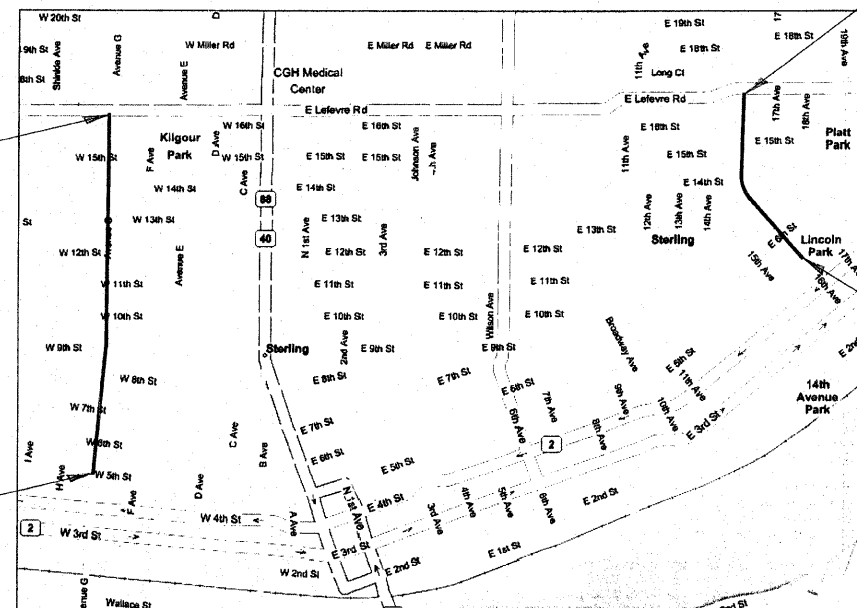
STATE LOCATION MAP



CITY OF STERLING	
APPROVED	<u>10/26/09</u> DATE
	<u>Carolyn V... Meyer</u> LOCAL AGENCY POSITION
PASSED	<u>NOV 6 2009</u> DATE
	<u>[Signature]</u> DISTRICT 2 ENGINEER OF LOCAL ROADS & STREETS
RELEASING FOR BID BASED ON LIMITED REVIEW	<u>NOV 6 2009</u> DATE
	<u>[Signature]</u> DEPUTY DIRECTOR OF HIGHWAYS, REGION 2 ENGINEER

SECTION 09-00147-00-RS
AVENUE G
ENDS AT STA. 50+70

SECTION 09-00147-00-RS
AVENUE G
BEGINS AT STA. 10+34



SECTION 09-00147-00-RS
16th AVENUE
ENDS AT STA. 121+70

SECTION 09-00147-00-RS
16th AVENUE
BEGINS AT STA. 100+00

LOCATION MAP

**MINOR ARTERIAL ADT = 4,000
2.0% TRUCKS
(AVENUE G)**

**MINOR ARTERIAL ADT = 2,000
2.0% TRUCKS
(16TH AVENUE)**



DATE: 10/30/2009
EXPIRES 11/30/2009

PLANS PREPARED BY
WILLETT, HOFMANN & ASSOCIATES, INC.
CONSULTING ENGINEERS
Land Surveying - Transportation - Structural
Environmental - Architecture

809 East Second Street Dixon, Illinois 61021
Phone 815.284.3381 Fax 815.284.3385
Design Firm #184-000918
www.willett-hofmann.com

WHA #1036D09

SUMMARY OF QUANTITIES

CONSTRUCTION TYPE CODE: I000

CODE NO.	ITEM	UNIT	AVENUE G	16TH AVENUE	PROJECT TOTAL
1	31100900 SUB-BASE GRANULAR MATERIAL, TYPE A, 10"	SQ YD	509.7	----	509.7
* 2	40600100 BITUMINOUS MATERIALS (PRIME COAT)	GAL	1,520	771	2,291
3	40600300 AGGREGATE (PRIME COAT)	TON	25	20	45
4	40600525 LEVELING BINDER (HAND METHOD), N50	TON	50	50	100
5	40600625 LEVELING BINDER (MACHINE METHOD), N50	TON	1,149	----	1,149
6	40600990 TEMPORARY RAMP	SQ YD	766	168	934
7	40603335 HOT-MIX ASPHALT SURFACE COURSE, MIX "D", N50	TON	1,376	934	2,310
8	42400200 PORTLAND CEMENT CONCRETE SIDEWALK, 5 INCH	SQ FT	1,930	349	2,279
9	42400800 DETECTABLE WARNINGS	SQ FT	----	48.0	48.0
10	44000156 HOT-MIX ASPHALT SURFACE REMOVAL, 1 3/4"	SQ YD	----	7.717	7.717
11	44000160 HOT-MIX ASPHALT SURFACE REMOVAL, 2 3/4"	SQ YD	15,170	----	15,170
12	44000500 COMBINATION CURB AND GUTTER REMOVAL	FOOT	386	204	590
13	44000600 SIDEWALK REMOVAL	SQ FT	1,930	349	2,279
* 14	44201729 CLASS D PATCHES, TYPE II, 7 INCH	SQ YD	12.2	----	12.2
* 15	44201733 CLASS D PATCHES, TYPE III, 7 INCH	SQ YD	37.4	----	37.4
* 16	44201735 CLASS D PATCHES, TYPE IV, 7 INCH	SQ YD	460.1	----	460.1
* 17	44213200 SAW CUTS	FOOT	1,003	----	1,003
* 18	44300300 AREA REFLECTIVE CRACK CONTROL TREATMENT, SYSTEM A	SQ YD	13,220	2,950	16,170
* 19	56109210 WATER VALVES TO BE ADJUSTED	EACH	3	3	6
* 20	60255500 MANHOLES TO BE ADJUSTED	EACH	31	14	45
* 21	60610400 COMBINATION CONCRETE CURB AND GUTTER, TYPE M-6.24	FOOT	386	204	590
22	67100100 MOBILIZATION	L SUM	----	----	1
* 23	70101700 TRAFFIC CONTROL AND PROTECTION	L SUM	.5	.5	1
24	70300100 SHORT-TERM PAVEMENT MARKING	FOOT	1,250	550	1,800
25	70301000 WORK ZONE PAVEMENT MARKING REMOVAL	SQ FT	417	183	600
Δ 26	78000200 THERMOPLASTIC PAVEMENT MARKING - LINE 4"	FOOT	1,007	547	1,554
Δ 27	78000400 THERMOPLASTIC PAVEMENT MARKING - LINE 6"	FOOT	91	353	444
Δ 28	78000650 THERMOPLASTIC PAVEMENT MARKING - LINE 24"	FOOT	31	101	132

* INDICATES SPECIAL PROVISION
 Δ SPECIALTY ITEMS

THE FOLLOWING MIXTURE REQUIREMENTS ARE APPLICABLE FOR THIS PROJECT:

MIXTURE USES(S):	SURFACE	LEVEL BINDER
PG:	PG 64-22	PG 64-22
DESIGN AIR VOIDS	4.0 @ N50	4.0 @ N50
MIXTURE COMPOSITION (GRADATION MIXTURE)	IL 9.5 OR 12.5	IL 9.5
FRICTION AGGREGATE	D	N/A
20 YEAR ESAL	0.3	0.3

FILE NAME



DESIGNED - BDF	REVISED -
DRAWN - BDF	REVISED -
CHECKED - BDF	REVISED -
DATE - 07/11/2009	REVISED -

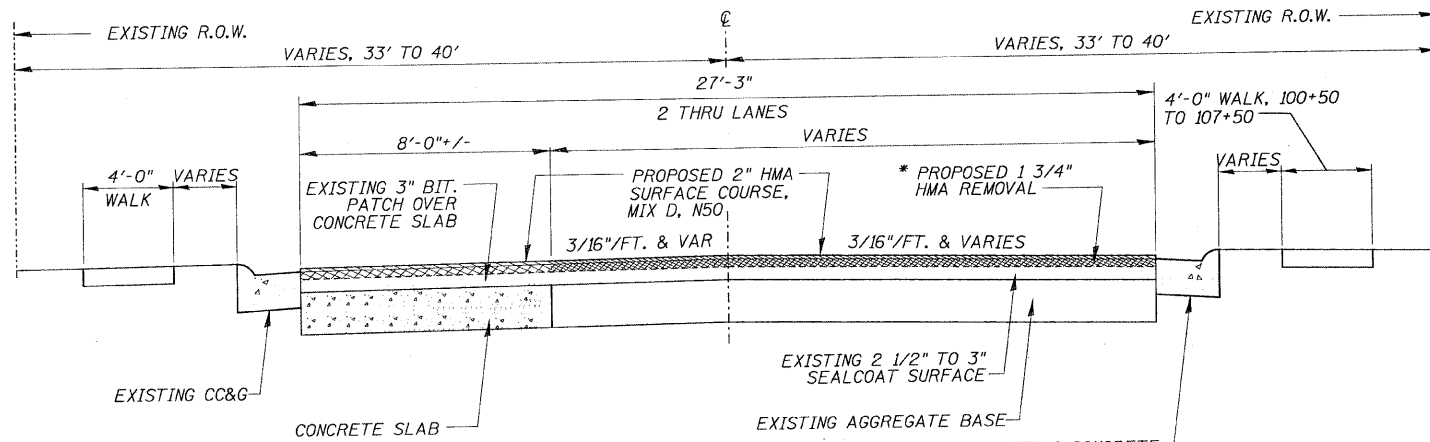
CITY OF STERLING, ILLINOIS AVENUE G AND 16TH AVENUE

SUMMARY OF QUANTITIES PAVEMENT DESIGN

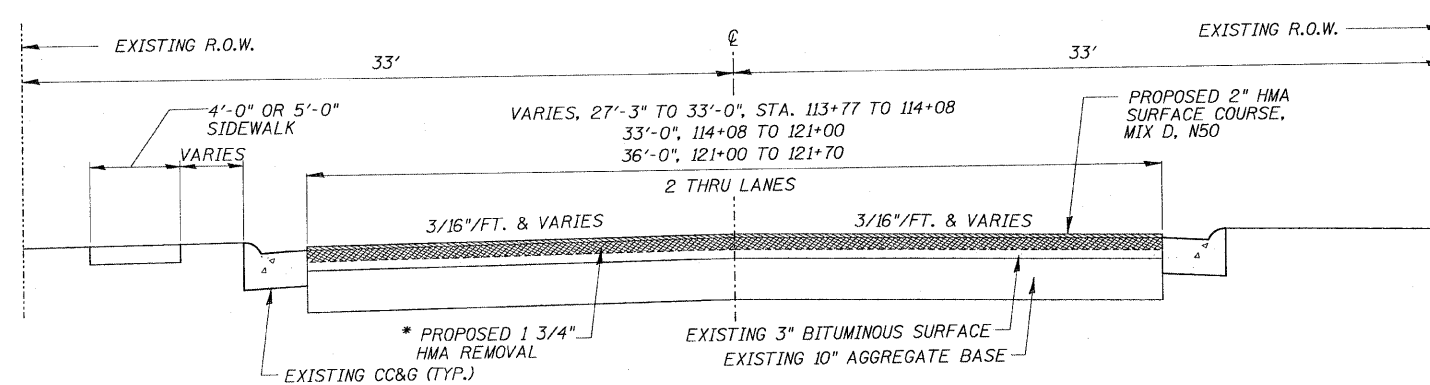
SCALE: SHEET NO. 2 OF 31 SHEETS

F.A. RTE.	SECTION	COUNTY	TOTAL SHEETS	SHEET NO.
	09-00147-00-RS	WHITESIDE	31	2
FED. ROAD DIST. NO. - ILLINOIS FED. AID PROJECT			CONTRACT NO. 85495	

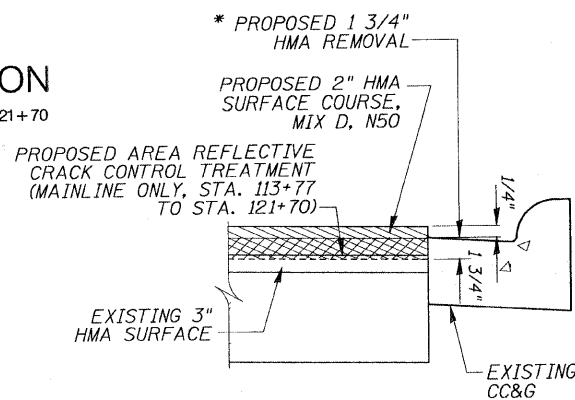
TYPICAL SECTIONS (16TH AVENUE)



TYPICAL SECTION
STATION 100+00 TO STATION 113+76

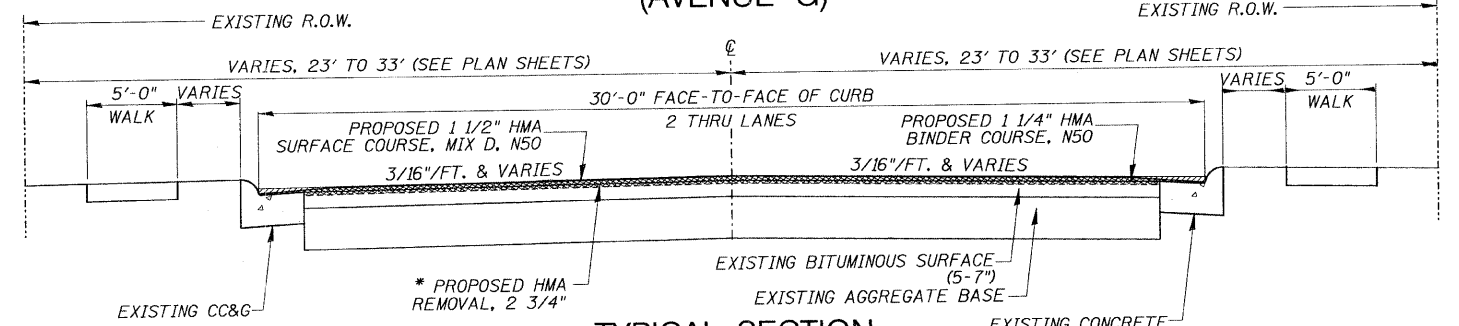


TYPICAL SECTION
STATION 113+77 TO STATION 121+70

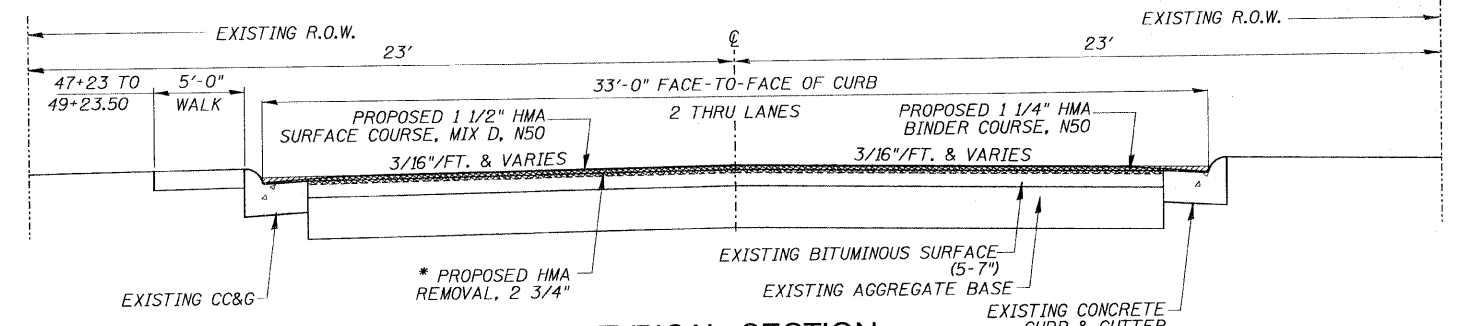


TYPICAL CURB DETAIL

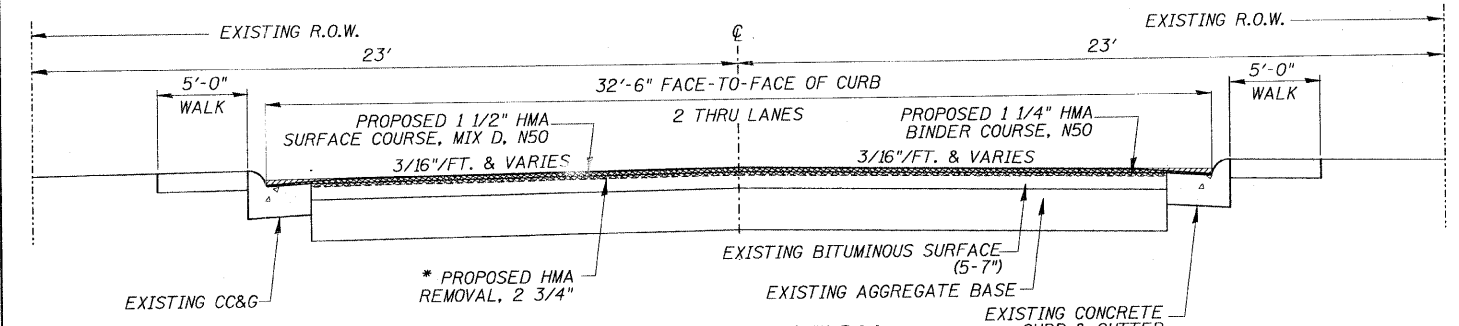
TYPICAL SECTIONS (AVENUE G)



TYPICAL SECTION
STATION 10+34.00 TO STATION 45+39.50

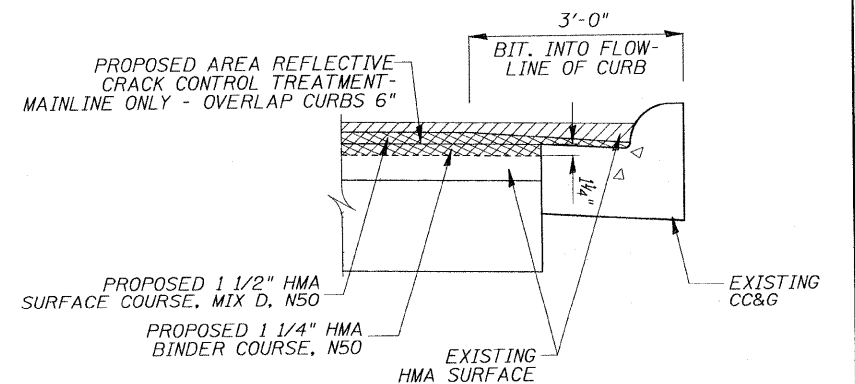


TYPICAL SECTION
STATION 45+39.50 TO STATION 49+23.50



TYPICAL SECTION
STATION 49+23.50 TO STATION 50+70.00

* THE MAXIMUM DROP-OFF HEIGHT BETWEEN TRAVELED LANES SHALL BE EQUAL TO OR LESS THAN 1/2". THEREFORE, THE CONTRACTOR SHALL MAKE MULTIPLE MILLING PASSES IN BOTH LANES SO THAT THE HEIGHT DIFFERENTIAL IN THE VERTICAL MILLED FACE DOES NOT EXCEED 1/2"



TYPICAL CURB TAPER

* THE MAXIMUM DROP-OFF HEIGHT BETWEEN TRAVELED LANES SHALL BE EQUAL TO OR LESS THAN 1/2". THEREFORE, THE CONTRACTOR SHALL MAKE MULTIPLE MILLING PASSES IN BOTH LANES SO THAT THE HEIGHT DIFFERENTIAL IN THE VERTICAL MILLED FACE DOES NOT EXCEED 1/2"

DESIGNED	- BDF	REVISED	-
DRAWN	- BDF	REVISED	-
CHECKED	- BDF	REVISED	-
DATE	- 07/11/2009	REVISED	-

F.A. RTE.	SECTION	COUNTY	TOTAL SHEETS	SHEET NO.
	09-00147-00-RS	WHITESIDE	31	3
FED. ROAD DIST. NO. ILLINOIS FED. AID PROJECT			CONTRACT NO. 85495	

ROADWAY SCHEDULES

SUB-BASE GRANULAR MATERIAL, TYPE A, 10"		
STATION	SQ YD	REMARKS
AVENUE G, MAINLINE		
RT., 46+80 TO 46+91	6.1	5' WIDTH
LT., 46+80 TO 46+91	6.1	5' WIDTH
RT., 42+50 TO 42+70	22.2	10' WIDTH
RT., 43+80 TO 43+93	15.2	10.5' WIDTH
RT., 42+92 TO 43+64	80.0	10' WIDTH
LT., 43+18 TO 43+80	37.9	5.5' WIDTH
LT., 44+47 TO 45+20	77.0	7' TO 10' WIDTH
RT., 48+13 TO 48+90	132.6	FULL WIDTH NORTHBOUND LANE
LT., 48+13 TO 48+90	132.6	FULL WIDTH SOUTHBOUND LANE
PROJECT TOTAL	509.7	

BITUMINOUS MATERIALS (PRIME COAT)		
STATION	GAL	REMARKS
AVENUE G, MAINLINE		
10+34.00 TO 45+39.50	1,169	30.0' MAINLINE WIDTH
45+39.50 TO 49+23.50	141	33.0' MAINLINE WIDTH
49+23.50 TO 50+70.00	53	32.50' MAINLINE WIDTH
L, 50+41 TO 50+70	3	31.5' LT OF C
R, 50+48.5 TO 50+70	2	28.0' RT OF C
AVENUE G, INTERSECTING SIDE ROADS		
L, W. 6TH STREET	6	30.0' LT OF C
R, W. 6TH STREET	6	27.5' RT OF C
L, W. 7TH STREET	5	29.0' LT OF C
R, W. 7TH STREET	5	29.0' RT OF C
L, W. 8TH STREET	9	33.0' LT OF C
R, W. 8TH STREET	8	31.0' RT OF C
L, W. 9TH STREET	8	32.0' LT OF C
R, W. 9TH STREET	10	40.5' RT OF C
L, W. 10TH STREET	8	32.0' LT OF C
R, W. 10TH STREET	9	34.0' RT OF C
L, W. 11TH STREET	9	34.0' LT OF C
R, W. 11TH STREET	8	35.0' RT OF C
L, W. 12TH STREET	6	28.0' LT OF C
R, W. 12TH STREET	6	30.0' RT OF C
L, W. 13TH STREET	9	38.5' LT OF C
R, W. 13TH STREET	7	32.0' RT OF C
L, W. 14TH STREET	7	32.0' LT OF C
R, W. 14TH STREET	7	33.0' RT OF C
L, W. 15TH STREET	7	29.0' LT OF C
R, W. 15TH STREET	5	28.0' RT OF C
R, W. 16TH STREET	7	31.0' RT OF C
16TH AVENUE MAINLINE		
100+00 TO 113+75	415	27.25' MAINLINE WIDTH
113+76 TO 121+00	265	33.0' MAINLINE WIDTH
121+00 TO 121+70	28	36.0' MAINLINE WIDTH
16TH AVENUE, SIDE ROADS		
L, E. 6TH STREET	8	35.0' LT OF C
R, E. 6TH STREET	6	30.0' RT OF C
L, E. 14TH STREET	8	33.0' LT OF C
L, E. 15TH STREET	8	32.0' LT OF C
R, E. 15TH STREET	7	31.0' RT OF C
L, E. 16TH STREET	9	33.0' LT OF C
L, E. LEFEVRE ROAD	9	32.0' LT OF C
R, E. LEFEVRE ROAD	8	32.0' RT OF C
PROJECT TOTAL	2,291	

LEVELING BINDER (MACHINE METHOD), N50		
STATION	TON	REMARKS
AVENUE G, MAINLINE		
10+34.00 TO 45+39.50	877	30.0' MAINLINE WIDTH
45+39.50 TO 49+23.50	106	33.0' MAINLINE WIDTH
49+23.50 TO 50+70.00	40	32.50' MAINLINE WIDTH
L, 50+41 TO 50+70	3	31.5' LT OF C
R, 50+48.5 TO 50+70	2	28.0' RT OF C
AVENUE G, INTERSECTING SIDE ROADS		
L, W. 6TH STREET	5	30.0' LT OF C
R, W. 6TH STREET	5	27.5' RT OF C
L, W. 7TH STREET	4	29.0' LT OF C
R, W. 7TH STREET	4	29.0' RT OF C
L, W. 8TH STREET	7	33.0' LT OF C
R, W. 8TH STREET	6	31.0' RT OF C
L, W. 9TH STREET	6	32.0' LT OF C
R, W. 9TH STREET	8	40.5' RT OF C
L, W. 10TH STREET	7	32.0' LT OF C
R, W. 10TH STREET	7	34.0' RT OF C
L, W. 11TH STREET	7	34.0' LT OF C
R, W. 11TH STREET	6	35.0' RT OF C
L, W. 12TH STREET	5	28.0' LT OF C
R, W. 12TH STREET	5	30.0' RT OF C
L, W. 13TH STREET	7	38.5' LT OF C
R, W. 13TH STREET	6	32.0' RT OF C
L, W. 14TH STREET	6	32.0' LT OF C
R, W. 14TH STREET	6	33.0' RT OF C
L, W. 15TH STREET	5	29.0' LT OF C
R, W. 15TH STREET	4	28.0' RT OF C
R, W. 16TH STREET	5	31.0' RT OF C
PROJECT TOTAL	1,149	

TEMPORARY RAMP		
STATION	SQ YD	REMARKS
AVENUE G		
10+34.00	30	FULL WIDTH MAINLINE (9' LONG)
L 13+69.50	31	W. 6TH STREET (9' LONG)
R 13+69.50	31	W. 6TH STREET (9' LONG)
L 17+34.50	26	W. 7TH STREET (9' LONG)
R 17+34.50	26	W. 7TH STREET (9' LONG)
L 21+02.50	36	W. 8TH STREET (9' LONG)
R 21+02.50	36	W. 8TH STREET (9' LONG)
L 24+20.50	36	W. 9TH STREET (9' LONG)
R 24+23.50	30	W. 9TH STREET (9' LONG)
L 27+83.50	36	W. 10TH STREET (9' LONG)
R 27+83.50	36	W. 10TH STREET (9' LONG)
L 31+49.50	36	W. 11TH STREET (9' LONG)
R 31+53.00	30	W. 11TH STREET (9' LONG)
L 35+08.00	30	W. 12TH STREET (9' LONG)
R 35+08.00	30	W. 12TH STREET (9' LONG)
L 38+58.00	30	W. 13TH STREET (9' LONG)
R 38+58.00	30	W. 13TH STREET (9' LONG)
L 42+08.00	30	W. 14TH STREET (9' LONG)
R 42+08.00	30	W. 14TH STREET (9' LONG)
L 45+57.50	36	W. 15TH STREET (9' LONG)
R 45+58.50	30	W. 15TH STREET (9' LONG)
R 49+06.25	35	W. 16TH STREET (9' LONG)
50+70.00	65	FULL WIDTH MAINLINE (9' LONG)

TEMPORARY RAMP (CON'T.)

16TH AVENUE		
STATION	TON	REMARKS
100+00.00	15	FULL WIDTH MAINLINE (5' LONG)
L 103+31.00	15	E. 6TH STREET (5' LONG)
R 103+31.00	14	E. 6TH STREET (5' LONG)
L 111+00.00	17	E. 14TH STREET (5' LONG)
L 114+12.00	17	E. 15TH STREET (5' LONG)
R 115+34.00	16	E. 15TH STREET (5' LONG)
L 117+16.00	17	E. 16TH STREET (5' LONG)
L 121+32.00	19	E. LEFEVRE ROAD (5' LONG)
R 121+32.00	18	E. LEFEVRE ROAD (5' LONG)
121+70.00	20	FULL WIDTH MAINLINE (5' LONG)
PROJECT TOTAL	934	

HOT-MIX ASPHALT SURFACE COURSE, MIX "D", N50		
STATION	TON	REMARKS
AVENUE G, MAINLINE		
10+34.00 TO 45+39.50	1,052	30.0' MAINLINE WIDTH
45+39.50 TO 49+23.50	127	33.0' MAINLINE WIDTH
49+23.50 TO 50+70.00	48	32.50' MAINLINE WIDTH
L, 50+41 TO 50+70	3	31.5' LT OF C
R, 50+48.5 TO 50+70	2	28.0' RT OF C
AVENUE G, INTERSECTING SIDE ROADS		
L, W. 6TH STREET	6	30.0' LT OF C
R, W. 6TH STREET	5	27.5' RT OF C
L, W. 7TH STREET	5	29.0' LT OF C
R, W. 7TH STREET	5	29.0' RT OF C
L, W. 8TH STREET	8	33.0' LT OF C
R, W. 8TH STREET	7	31.0' RT OF C
L, W. 9TH STREET	8	32.0' LT OF C
R, W. 9TH STREET	9	40.5' RT OF C
L, W. 10TH STREET	8	32.0' LT OF C
R, W. 10TH STREET	8	34.0' RT OF C
L, W. 11TH STREET	8	34.0' LT OF C
R, W. 11TH STREET	8	35.0' RT OF C
L, W. 12TH STREET	6	28.0' LT OF C
R, W. 12TH STREET	6	30.0' RT OF C
L, W. 13TH STREET	9	38.5' LT OF C
R, W. 13TH STREET	7	32.0' RT OF C
L, W. 14TH STREET	7	32.0' LT OF C
R, W. 14TH STREET	7	33.0' RT OF C
L, W. 15TH STREET	6	29.0' LT OF C
R, W. 15TH STREET	5	28.0' RT OF C
R, W. 16TH STREET	6	31.0' RT OF C
16TH AVENUE MAINLINE		
100+00 TO 113+75	500	27.25' MAINLINE WIDTH
113+76 TO 121+00	320	33.0' MAINLINE WIDTH
121+00 TO 121+70	35	36.0' MAINLINE WIDTH
16TH AVENUE, SIDE ROADS		
L, E. 6TH STREET	10	35.0' LT OF C
R, E. 6TH STREET	8	30.0' RT OF C
L, E. 14TH STREET	10	33.0' LT OF C
L, E. 15TH STREET	10	32.0' LT OF C
R, E. 15TH STREET	9	31.0' RT OF C
L, E. 16TH STREET	11	33.0' LT OF C
L, E. LEFEVRE ROAD	11	32.0' LT OF C
R, E. LEFEVRE ROAD	10	32.0' RT OF C
PROJECT TOTAL	2,310	

WILLET, HOFMANN & ASSOCIATES, INC.
CONSULTING ENGINEERS
 809 East Second Street Dixon, IL 61021
 Phone 815.284.3381 Fax 815.284.3388
 Design Firm # 184-00918
 www.willett-hofmann.com

DESIGNED - BDF	REVISED -
DRAWN - BDF	REVISED -
CHECKED - BDF	REVISED -
DATE - 07/13/2009	REVISED -

CITY OF STERLING, ILLINOIS AVENUE G AND 16TH AVENUE

SCHEDULE OF QUANTITIES

SCALE: SHEET NO. 4 OF 31 SHEETS

F.A. RTE.	SECTION	COUNTY	TOTAL SHEETS	SHEET NO.
	09-00147-00-RS	WHITESIDE	31	4
FED. ROAD DIST. NO. [ILLINOIS] FED. AID PROJECT			CONTRACT NO. 85495	

ROADWAY SCHEDULES

PORTLAND CEMENT CONCRETE SIDEWALK 5 INCH		
STATION	SQ FT	REMARKS
AVENUE G, MAINLINE		
LT. 47+75 TO LT. 50+40	1,325	5' WIDTH
RT. 49+25 TO RT. 50+46	605	5' WIDTH
16TH AVENUE, MAINLINE		
LT. 110+72	44	CURB RAMP, 4' WIDTH, SOUTH SIDE 14TH
LT. 111+31	44	CURB RAMP, 4' WIDTH, NORTH SIDE 14TH
LT. 113+79	44	CURB RAMP, 4' WIDTH, SOUTH SIDE 15TH
LT. 114+43	44	CURB RAMP, 4' WIDTH, NORTH SIDE 15TH
LT. 116+83	44	CURB RAMP, 4' WIDTH, SOUTH SIDE 16TH
LT. 117+53	44	CURB RAMP, 4' WIDTH, NORTH SIDE 16TH
LT. 120+97	40	CURB RAMP, 5' WIDTH, SO SIDE LEFEVRE
LT. 121+10	45	CURB RAMP, 5' WIDTH, SO SIDE LEFEVRE
PROJECT TOTAL	2,279	

DETECTABLE WARNINGS		
STATION	SQ FT	REMARKS
16TH AVENUE		
LT. 110+72	6.0	3.0' X 2.0', SOUTH SIDE OF 14TH
LT. 111+31	6.0	3.0' X 2.0', NORTH SIDE OF 14TH
LT. 113+79	6.0	3.0' X 2.0', SOUTH SIDE OF 15TH
LT. 114+43	6.0	3.0' X 2.0', NORTH SIDE OF 15TH
LT. 116+83	6.0	3.0' X 2.0', SOUTH SIDE OF 16TH
LT. 117+53	6.0	3.0' X 2.0', NORTH SIDE OF 16TH
LT. 120+97	6.0	3.0' X 2.0', SOUTH SIDE OF LEFEVRE
LT. 121+10	6.0	3.0' X 2.0', SOUTH SIDE OF LEFEVRE
PROJECT TOTAL	48.0	

HOT-MIX ASPHALT SURFACE REMOVAL 1 3/4"		
STATION	SQ YD	REMARKS
16TH AVENUE MAINLINE		
100+00 TO 113+75	4,165	27.25' MAINLINE WIDTH
113+76 TO 121+00	2,655	33.0' MAINLINE WIDTH
121+00 TO 121+70	280	36.0' MAINLINE WIDTH
16TH AVENUE, SIDE ROADS		
E. 6TH STREET	80	35.0' LT OF C
E. 6TH STREET	60	30.0' RT OF C
E. 14TH STREET	76	33.0' LT OF C
E. 15TH STREET	78	32.0' LT OF C
E. 15TH STREET	69	31.0' RT OF C
E. 16TH STREET	85	33.0' LT OF C
E. LEFEVRE ROAD	89	32.0' LT OF C
E. LEFEVRE ROAD	80	32.0' RT OF C
PROJECT TOTAL	7,717	

HOT-MIX ASPHALT SURFACE REMOVAL 2 3/4"		
STATION	SQ YD	REMARKS
AVENUE G MAINLINE		
10+34.00 to 45+39.50	11,685	30.0' MAINLINE WIDTH
45+39.50 to 49+23.50	1,408	33.0' MAINLINE WIDTH
49+23.50 to 50+70.00	529	32.50' MAINLINE WIDTH
L, 50+41 TO 50+70	30	31.5' LT OF C
R, 50+48.5 TO 50+70	16	28.0' RT OF C
AVENUE G, INTERSECTING SIDE ROADS		
W. 6TH STREET	63	30.0' LT OF C
W. 6TH STREET	55	27.5' RT OF C
W. 7TH STREET	52	29.0' LT OF C
W. 7TH STREET	53	29.0' RT OF C
W. 8TH STREET	85	33.0' LT OF C
W. 8TH STREET	77	31.0' RT OF C
W. 9TH STREET	80	32.0' LT OF C
W. 9TH STREET	97	40.5' RT OF C
W. 10TH STREET	81	32.0' LT OF C
W. 10TH STREET	88	34.0' RT OF C
W. 11TH STREET	87	34.0' LT OF C
W. 11TH STREET	79	35.0' RT OF C
W. 12TH STREET	57	28.0' LT OF C
W. 12TH STREET	61	30.0' RT OF C
W. 13TH STREET	91	38.5' LT OF C
W. 13TH STREET	69	32.0' RT OF C
W. 14TH STREET	70	32.0' LT OF C
W. 14TH STREET	72	33.0' RT OF C
W. 15TH STREET	65	29.0' LT OF C
W. 15TH STREET	53	28.0' RT OF C
W. 16TH STREET	67	31.0' RT OF C
PROJECT TOTAL	15,170	

COMBINATION CURB AND GUTTER REMOVAL		
STATION	FOOT	REMARKS
AVENUE G, MAINLINE		
LT. 47+75 TO 50+40	265	
RT. 49+25 TO 50+46	121	
16TH AVENUE, MAINLINE		
LT. 110+70 TO 110+85	27	RADIUS 14TH STREET LT, SOUTH SIDE
LT. 111+17 TO 111+32	31	RADIUS 14TH STREET LT, NORTH SIDE
LT. 113+79 TO 113+95	28	RADIUS 15TH STREET LT, SOUTH SIDE
LT. 114+29 TO 114+43	28	RADIUS 15TH STREET LT, NORTH SIDE
LT. 116+85 TO 117+01	28	RADIUS 16TH STREET LT, SOUTH SIDE
LT. 117+33 TO 117+51	26	RADIUS 16TH STREET LT, NORTH SIDE
LT. 120+91 TO 121+13	36	RADIUS LEFEVRE ROAD LT, SOUTH SIDE
PROJECT TOTAL	590	

SIDEWALK REMOVAL		
STATION	SQ FT	REMARKS
AVENUE G, MAINLINE		
LT. 47+75 TO 50+40	1,325	5' WIDTH
RT. 49+25 TO 50+46	605	5' WIDTH
16TH AVENUE, MAINLINE		
LT. 110+72	44	4' WIDTH
LT. 111+31	44	4' WIDTH
LT. 113+79	44	4' WIDTH
LT. 114+43	44	4' WIDTH
LT. 116+83	44	4' WIDTH
LT. 117+53	44	4' WIDTH
LT. 120+97	40	5' WIDTH
LT. 121+10	45	5' WIDTH
PROJECT TOTAL	2,279	

CLASS D PATCHES, TYPE II, 7 INCH		
STATION	SQ YD	REMARKS
AVENUE G, MAINLINE		
RT., 46+80 TO 46+91	6.1	5' WIDTH
LT., 46+80 TO 46+91	6.1	5' WIDTH
PROJECT TOTAL	12.2	

CLASS D PATCHES, TYPE III, 7 INCH		
STATION	SQ YD	REMARKS
AVENUE G, MAINLINE		
RT., 42+50 TO 42+70	22.2	10' WIDTH
RT., 43+80 TO 43+93	15.2	10.5' WIDTH
PROJECT TOTAL	37.4	

CLASS D PATCHES, TYPE IV, 7 INCH		
STATION	SQ YD	REMARKS
AVENUE G, MAINLINE		
RT., 42+92 TO 43+64	80.0	10' WIDTH
LT., 43+18 TO 43+80	37.9	5.5' WIDTH
LT., 44+47 TO 45+20	77.0	7' TO 10' WIDTH
RT., 48+13 TO 48+90	132.6	FULL WIDTH NORTHBOUND LANE
LT., 48+13 TO 48+90	132.6	FULL WIDTH SOUTHBOUND LANE
PROJECT TOTAL	460.1	

FILE NAME



DESIGNED - BDF	REVISED -
DRAWN - BDF	REVISED -
CHECKED - BDF	REVISED -
DATE - 07/13/2009	REVISED -

CITY OF STERLING, ILLINOIS AVENUE G AND 16TH AVENUE

SCHEDULE OF QUANTITIES

SCALE: SHEET NO. 5 OF 31 SHEETS

F.A. RTE.	SECTION	COUNTY	TOTAL SHEETS	SHEET NO.
	09-00147-00-RS	WHITESIDE	31	5
CONTRACT NO. 85495				
FED. ROAD DIST. NO. [ILLINOIS] FED. AID PROJECT				

ROADWAY SCHEDULES

SAW CUTS		
STATION	FOOT	REMARKS
AVENUE G, MAINLINE		
RT., 46+80 TO 46+91	32	5' WIDTH
LT., 46+80 TO 46+91	32	5' WIDTH
RT., 42+50 TO 42+70	60	10' WIDTH
RT., 43+80 TO 43+93	47	10.5' WIDTH
RT., 42+92 TO 43+64	164	10' WIDTH
LT., 43+18 TO 43+80	135	5.5' WIDTH
LT., 44+47 TO 45+20	163	7' TO 10' WIDTH
RT., 48+13 TO 48+90	185	FULL WIDTH NORTHBOUND LANE
LT., 48+13 TO 48+90	185	FULL WIDTH SOUTHBOUND LANE
PROJECT TOTAL	1,003	

AREA REFLECTIVE CRACK CONTROL TREATMENT, SYSTEM A		
STATION	SQ YD	REMARKS
AVENUE G		
STA. 10+34 TO 50+70	13,220	MAINLINE ONLY
16TH AVENUE		
STA. 113+76 TO 121+70	2,950	MAINLINE ONLY
PROJECT TOTAL	16,170	

WATER VALVES TO BE ADJUSTED		
STATION	EACH	REMARKS
AVENUE G, MAINLINE		
RT 8', 17+28	1	
RT 5', 21+33	1	
RT 12', 24+05	1	
16TH AVENUE, MAINLINE		
RT 18', 103+40	1	
RT 4', 103+42	1	
RT 18', 114+34	1	
PROJECT TOTAL	6	

THERMOPLASTIC PAVEMENT MARKING - LINE 4"		
STATION	FOOT	REMARKS
AVENUE G, MAINLINE		
¢ 10+34 TO 50+61	1,007	CENTER LINE - 10'-30' SP (YELLOW)
16TH AVENUE, MAINLINE		
¢ 100+04 TO 121+70	547	CENTER LINE - 10'-30' SP (YELLOW)
PROJECT TOTAL	1,554	

MANHOLES TO BE ADJUSTED		
STATION	EACH	REMARKS
AVENUE G, MAINLINE		
¢ 13+78	1	
LT 9', 13+86	1	
¢ 17+36	1	
LT 9', 17+50	1	
¢ 21+01	1	
LT 9', 21+12	1	
¢ 23+29	1	
LT 9', 23+88	1	
RT 8', 24+08	1	
¢ 24+23	1	
RT 21', 24+34	1	
RT 2', 25+95	1	
¢ 27+84	1	
¢ 31+53	1	
RT 32', 31+53	1	
RT 20', 35+00	1	
LT 19', 35+01	1	
¢ 35+08	1	
¢ 38+58	1	
¢ 42+08	1	
LT 9', 42+15	1	
¢ 43+85	1	
RT 3', 45+59	1	
LT 3', 45+65	1	
LT 9', 45+69	1	
¢ 47+23	1	
RT 3', 48+97	1	
LT 9', 49+00	1	
¢ 49+08	1	
LT 9', 49+24	1	
¢ 50+65	1	
16TH AVENUE, MAINLINE		
LT. 9' 103+12	1	
¢ 103+32	1	
¢ 106+12	1	
LT 8', 108+15	1	
¢ 108+23	1	
LT 11', 110+27	1	
LT 7', 110+30	1	
LT 19', 111+00	1	
¢ 112+50	1	
RT 4', 114+72	1	
LT. 12', 117+10	1	
RT 4', 117+16	1	
RT, 3' 121+30	1	
RT. 27', 121+42	1	
PROJECT TOTAL	45	

COMBINATION CONCRETE CURB AND GUTTER, TYPE M-6.24		
STATION	FOOT	REMARKS
AVENUE G, MAINLINE		
LT, 47+75 TO 50+40	265	
RT, 49+25 TO 50+46	121	
16TH AVENUE, MAINLINE		
LT, 110+70 TO 110+85	27	RADIUS 14TH STREET LT, SOUTH SIDE
LT, 111+17 TO 111+32	31	RADIUS 14TH STREET LT, NORTH SIDE
LT, 113+79 TO 113+95	28	RADIUS 15TH STREET LT, SOUTH SIDE
LT, 114+29 TO 114+43	28	RADIUS 15TH STREET LT, NORTH SIDE
LT, 116+85 TO 117+01	28	RADIUS 16TH STREET LT, SOUTH SIDE
LT, 117+33 TO 117+51	26	RADIUS 16TH STREET LT, NORTH SIDE
LT, 120+91 TO 121+13	36	RADIUS LEFEVRE ROAD LT, SOUTH SIDE
PROJECT TOTAL	590	

GENERAL NOTES

ALL BORROW/WASTE/USE SITES MUST BE APPROVED BY THE DEPARTMENT PRIOR TO REMOVING ANY MATERIAL FROM THE PROJECT OR INITIATING ANY EARTHMOVING ACTIVITIES, INCLUDING TEMPORARY STOCKPILING OUTSIDE THE LIMITS OF CONSTRUCTION.

MILLING MACHINES ON THIS PROJECT SHALL BE CAPABLE OF REMOVING A LAYER OF BITUMINOUS MATERIAL A MINIMUM OF 6' WIDE AND 1-1/2 INCHES IN DEPTH IN A SINGLE PASS. THE MAXIMUM DROP-OFF HEIGHT BETWEEN TRAVELED LANES SHALL BE EQUAL TO OR LESS THAN 1/2". THEREFORE, THE CONTRACTOR SHALL MAKE MULTIPLE MILLING PASSES IN BOTH DIRECTIONS SO THAT THE HEIGHT DIFFERENTIAL IN THE VERTICAL MILLED FACE DOES NOT EXCEED 1/2".

THE CONTRACTOR SHALL PLACE TEMPORARY HOT-MIX ASPHALT TAPERS ALONG ALL SIDES OF THE UTILITY STRUCTURES PROTRUDING ABOVE THE MILLED SURFACE. THE TEMPORARY TAPERS SHALL EXTEND 2' OUTSIDE OF THE CASTINGS, EXCEPT FOR THE APPROACH SIDE TO TRAFFIC, WHICH SHALL HAVE A 4' TAPER. HOT-MIX ASPHALT MEETING THE APPROVAL OF THE ENGINEER SHALL BE USED, AND NO COLD MILLINGS WILL BE ALLOWED. THE COST OF THE MATERIAL, PLACEMENT, MAINTENANCE, REMOVAL, AND DISPOSAL OF SAID WORK WILL BE INCLUDED IN THE PAY ITEM FOR "HOT-MIX ASPHALT SURFACE REMOVAL".

THE AREA TO BE PRIMED SHALL BE LIMITED TO THAT WHICH CAN BE COVERED WITH HOT-MIX ASPHALT THE SAME DAY, UNLESS OTHERWISE PERMITTED BY THE ENGINEER.

THE CONTRACTOR SHALL BE RESPONSIBLE FOR PROTECTING UTILITY PROPERTY DURING CONSTRUCTION OPERATIONS AS OUTLINED IN ARTICLE 107.31 OF THE STANDARD SPECIFICATIONS. A MINIMUM OF 48 HOURS ADVANCE NOTICE IS REQUIRED FOR NON-EMERGENCY WORK. THE "JULIE" NUMBER IS 800-892-0123. THE UTILITIES LOCATED WITHIN THE PROJECT LIMITS, OR IMMEDIATELY ADJACENT TO THE PROJECT CONSTRUCTION LIMITS, ARE MEMBERS OF "JULIE" AND ARE LISTED ON THE COVER SHEET OF THESE PLANS.

UTILIZATION OF THE PAY ITEM FOR "LEVELING BINDER (HAND METHOD)" SHALL BE AT THE DISCRETION OF THE RESIDENT ENGINEER. A CONTINGENCY AMOUNT OF 100 TONS HAS BEEN PLACED IN THIS CONTRACT.

LEVELING BINDER (HAND METHOD), N50			
STATION	TON	REMARKS	
AVENUE G, MAINLINE	50	LOCATION DETERMINED BY RESIDENT ENGR.	
16TH AVENUE	50	LOCATION DETERMINED BY RESIDENT ENGR.	
PROJECT TOTAL	100		

THERMOPLASTIC PAVEMENT MARKING - LINE 6"		
STATION	FOOT	REMARKS
AVENUE G, MAINLINE		
L & R 50+55	91	CROSSWALK, SOUTH SIDE OF LEFEVRE
16TH AVENUE, MAINLINE		
L & R 100+00	55	CROSSWALK, NORTH SIDE OF 5TH
L & R 103+07	58	CROSSWALK, SOUTH SIDE OF 6TH
L & R 103+58	58	CROSSWALK, NORTH SIDE OF 6TH
L & R 120+93	68	CROSSWALK, SOUTH SIDE OF LEFEVRE
16TH AVENUE, SIDE STREETS		
L 23', 103+31	59	CROSSWALK, WEST SIDE OF 6TH
R 22', 103+31	55	CROSSWALK, EAST SIDE OF 6TH
PROJECT TOTAL	444	

THERMOPLASTIC PAVEMENT MARKING - LINE 24"		
STATION	FOOT	REMARKS
AVENUE G, MAINLINE		
L 10+35	15	STOP BAR, NORTH SIDE OF 5TH
R 50+44	16	STOP BAR, SOUTH SIDE OF LEFEVRE
16TH AVENUE, MAINLINE		
L 100+04	13	STOP BAR, NORTH SIDE OF 5TH
R 103+00	13	STOP BAR, SOUTH SIDE OF 6TH
L 103+70	13	STOP BAR, NORTH SIDE OF 6TH
R 120+90	17	STOP BAR, SOUTH SIDE OF LEFEVRE
L 121+70	18	STOP BAR, NORTH SIDE OF LEFEVRE
16TH AVENUE, SIDE STREETS		
L 30', 103+18	14	STOP BAR, WEST SIDE OF 6TH
R 30', 103+31	13	STOP BAR, EAST SIDE OF 6TH
PROJECT TOTAL	132	

FILE NAME =



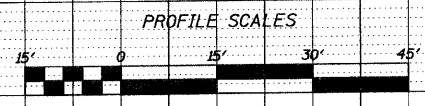
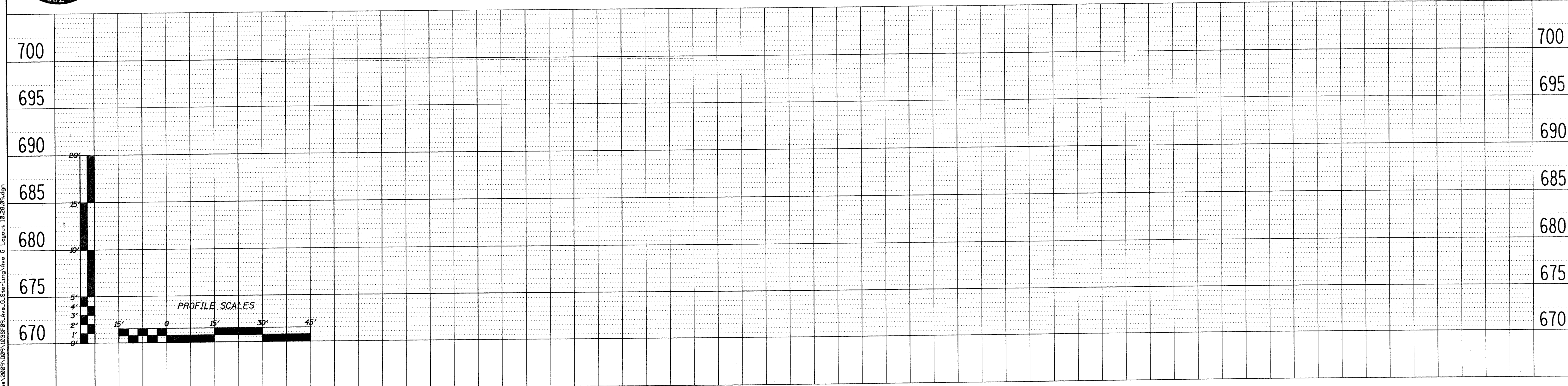
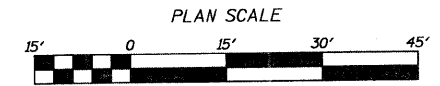
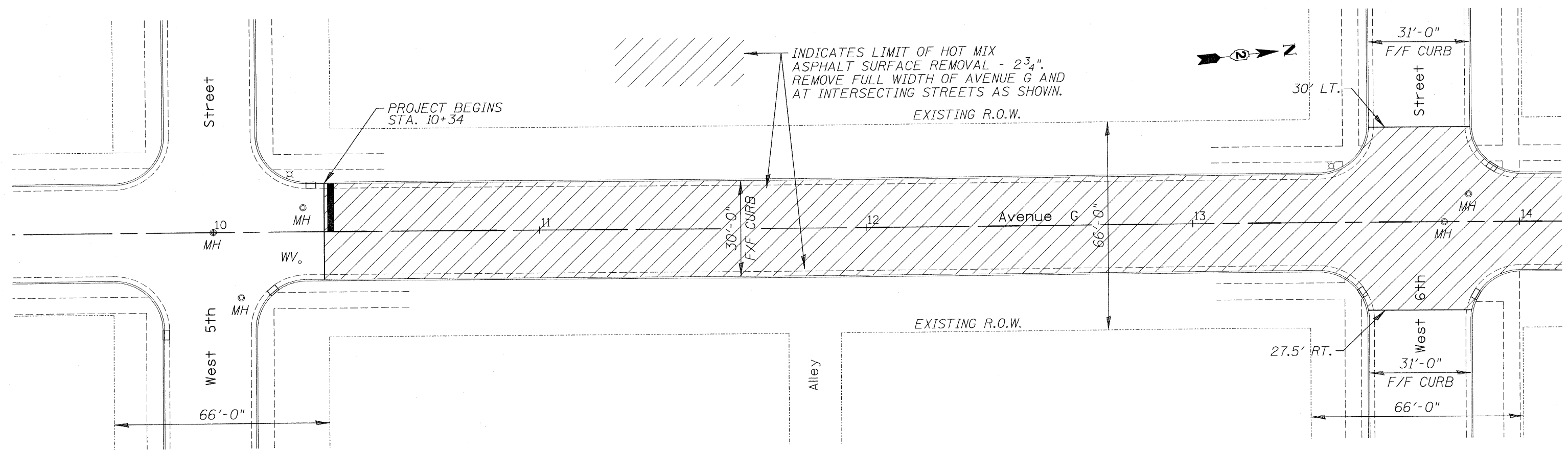
DESIGNED - BDF	REVISED -
DRAWN - BDF	REVISED -
CHECKED - BDF	REVISED -
DATE - 07/13/2009	REVISED -

CITY OF STERLING, ILLINOIS AVENUE G AND 16TH AVENUE

SCHEDULE OF QUANTITIES GENERAL NOTES

SCALE: SHEET NO. 6 OF 31 SHEETS

F.A. RTE.	SECTION	COUNTY	TOTAL SHEETS	SHEET NO.
	09-00147-00-RS	WHITESIDE	31	6
FED. ROAD DIST. NO. [ILLINOIS] FED. AID PROJECT			CONTRACT NO. 85495	



FILE NAME: L:\Jobs\2009\09\12356789-Ave G-Stairing\Ave G Layout 10.28.09.dgn

WILLET, HOFMANN & ASSOCIATES, INC.
 CONSULTING ENGINEERS
 809 East Second Street Dixon, IL 61021
 Phone 815.284.3381 Fax 815.284.3385
 Design Firm #184-00316
 www.willettthofmann.com

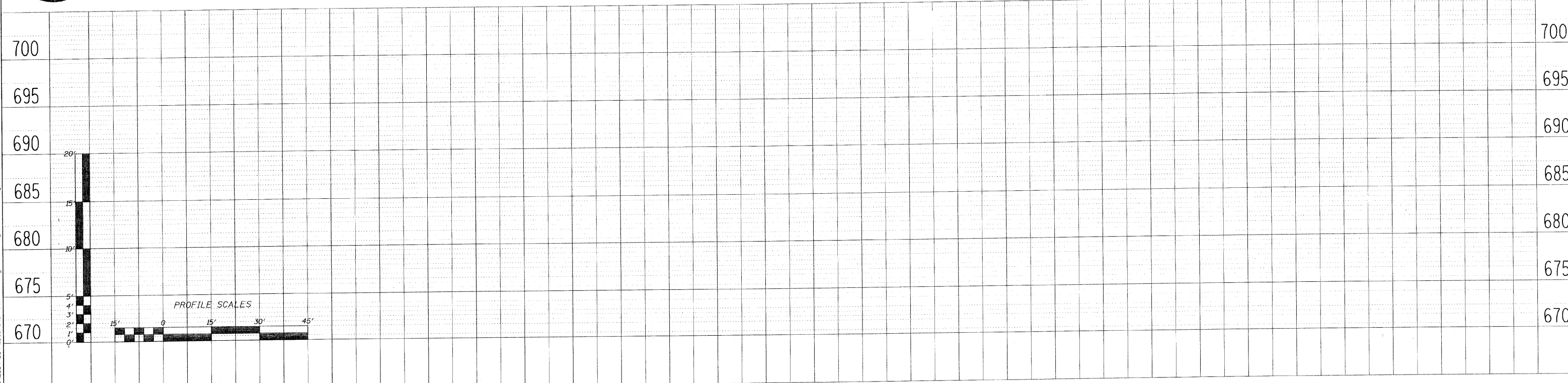
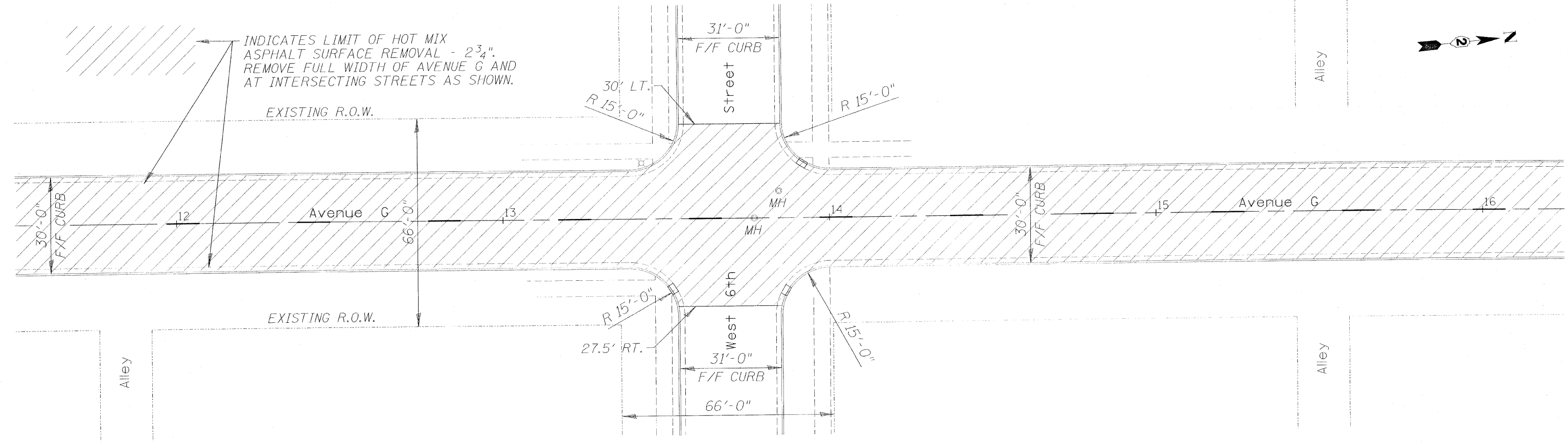
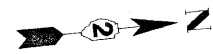
DESIGNED - BDF	REVISED -
DRAWN - JDH	REVISED -
CHECKED - BDF	REVISED -
DATE -	REVISED -

CITY OF STERLING, ILLINOIS
AVENUE G - 5TH STREET TO LE FEVRE RD.

AVENUE G PLAN & PROFILE

SCALE: SHEET NO. 7 OF 31 SHEETS

F.A. RTE.	SECTION	COUNTY	TOTAL SHEETS	SHEET NO.
	09-00147-00-RS	WHITESIDE	31	7
CONTRACT NO. 85495				
FED. ROAD DIST. NO. ILLINOIS FED. AID PROJECT				



FILE NAME = L:\Jobs\2009\09\12\6F09_Ave.G_Sterling.Ave.G_Layout\16.26.09.dgn

WILLET, HOFMANN & ASSOCIATES, INC.
CONSULTING ENGINEERS
 809 East Second Street Dixon, IL 61021
 Phone 815.284.3381 Fax 815.284.3385
 Design Firm #184-00918
 www.willett-hofmann.com

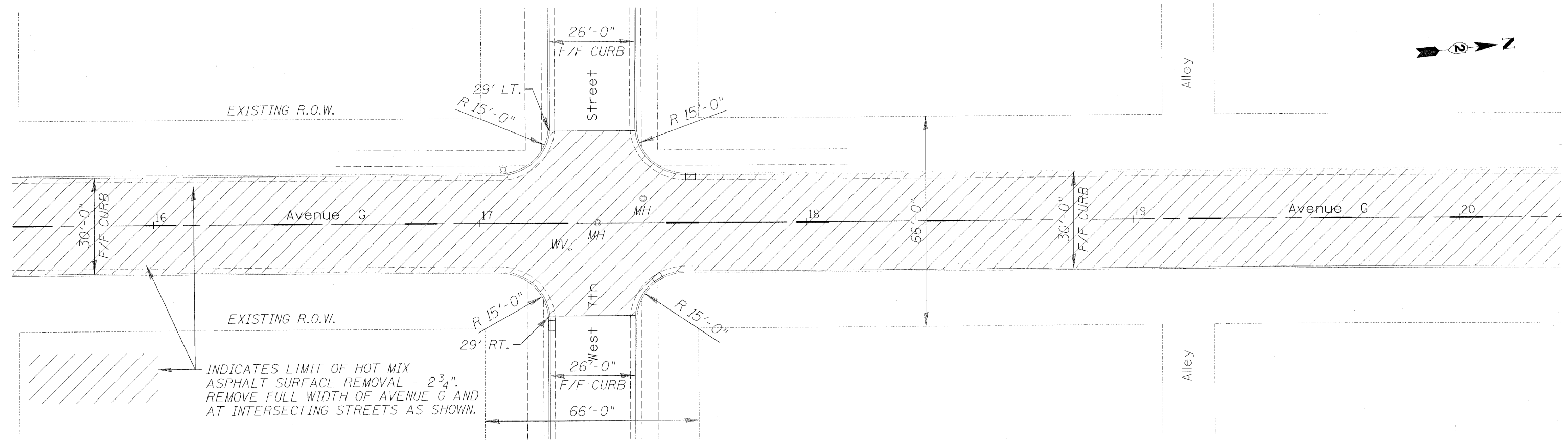
DESIGNED	BDF	REVISED	
DRAWN	JDH	REVISED	
CHECKED	BDF	REVISED	
DATE		REVISED	

CITY OF STERLING, ILLINOIS
AVENUE G - 5TH STREET TO LE FEVRE RD.

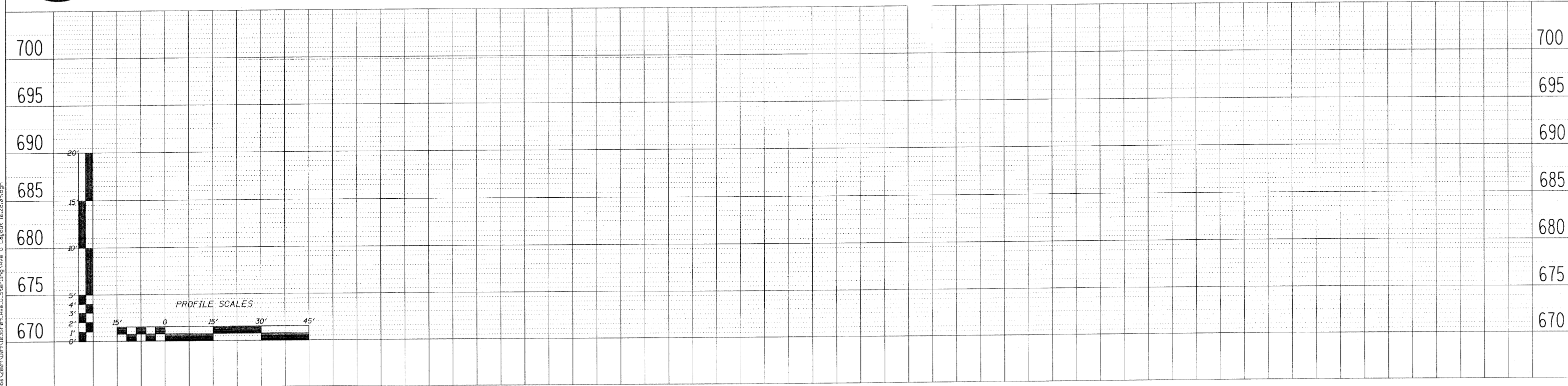
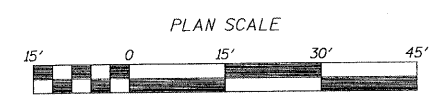
AVENUE G PLAN & PROFILE

SCALE: SHEET NO. 8 OF 31 SHEETS

F.A. RTE.	SECTION	COUNTY	TOTAL SHEETS	SHEET NO.
	09-00147-00-RS	WHITESIDE	31	8
FED. ROAD DIST. NO. ILLINOIS FED. AID PROJECT			CONTRACT NO. 85495	



INDICATES LIMIT OF HOT MIX ASPHALT SURFACE REMOVAL - 2 3/4\"/>



FILE NAME = L:\Data\2009\09\183\F99_Ave G_Sterling_Ave G_Layout_10.28.09.dgn

WILLET, HOFMANN & ASSOCIATES, INC.
 CONSULTING ENGINEERS
 809 East Second Street Dixon, IL 61021
 Phone 815.284.3381 Fax 815.284.3386
 Design Firm #104-00918
 www.willett-hofmann.com

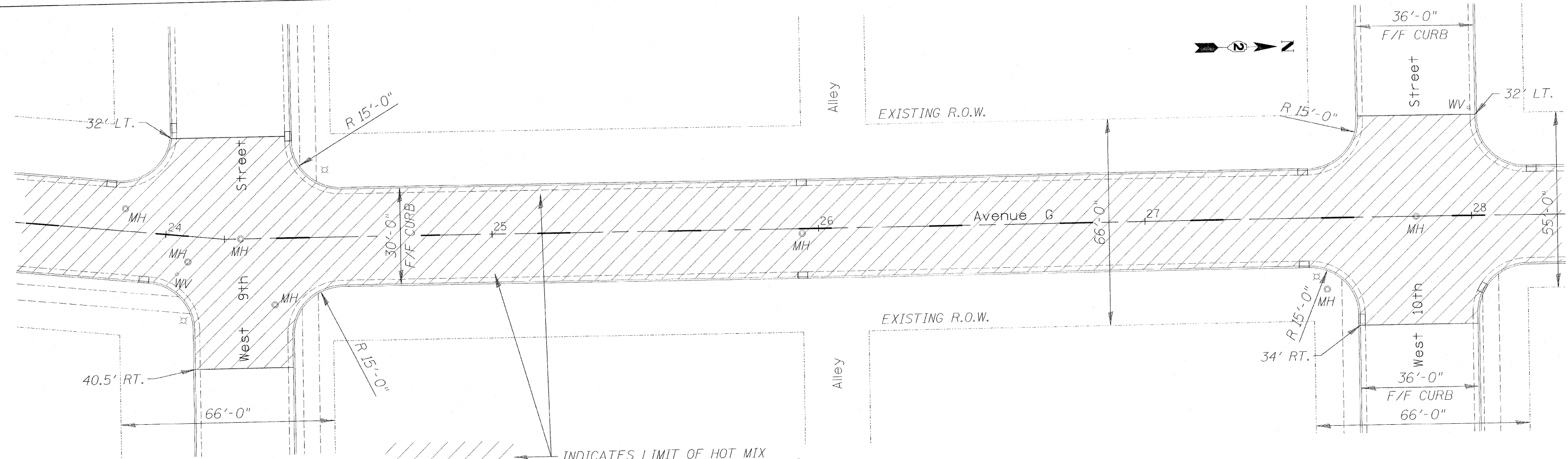
DESIGNED - BDF	REVISED -
DRAWN - JDH	REVISED -
CHECKED - BDF	REVISED -
DATE -	REVISED -

CITY OF STERLING, ILLINOIS
AVENUE G - 5TH STREET TO LE FEVRE RD.

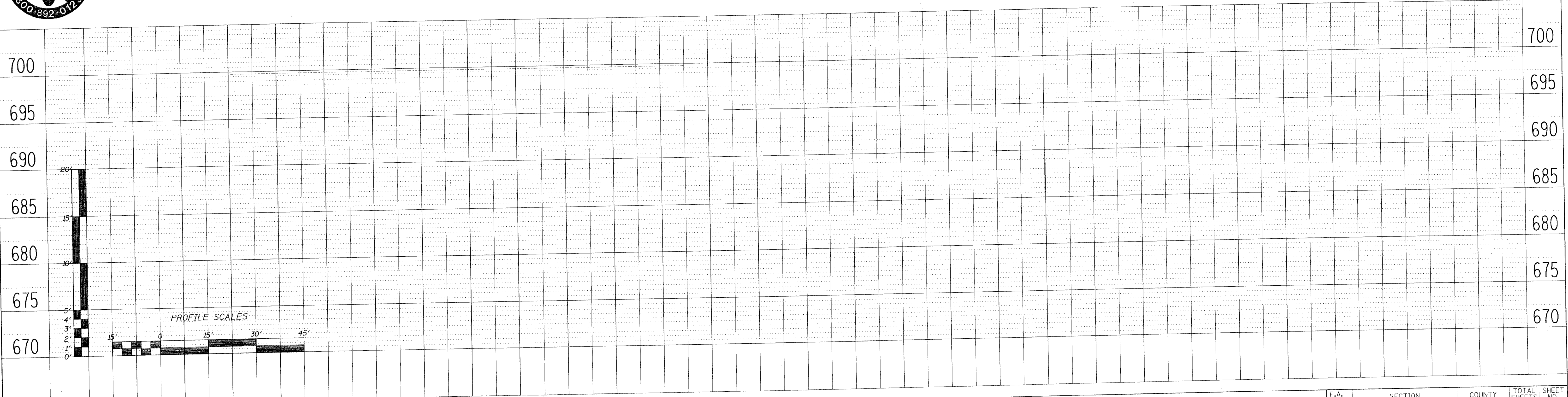
AVENUE G PLAN & PROFILE

SCALE: SHEET NO. 9 OF 31 SHEETS

F.A. RTE.	SECTION 09-00147-00-RS	COUNTY WHITESIDE	TOTAL SHEETS 31	SHEET NO. 9
FED. ROAD DIST. NO.		ILLINOIS FED. AID PROJECT		
		CONTRACT NO. 85495		



INDICATES LIMIT OF HOT MIX ASPHALT SURFACE REMOVAL - 2 3/4". REMOVE FULL WIDTH OF AVENUE G AND AT INTERSECTING STREETS AS SHOWN.



FILE NAME = L:\Jobs\2009\10\10\1035\09_Ave G_Sterling.dwg G Layout 10/28/09.dwg

WILLET, HOFMANN & ASSOCIATES, INC.
CONSULTING ENGINEERS
909 East Second Street Dixon, IL 61021
Phone 815.284.3381 Fax 815.284.3385
Design Firm #184-00918
www.willett-hofmann.com

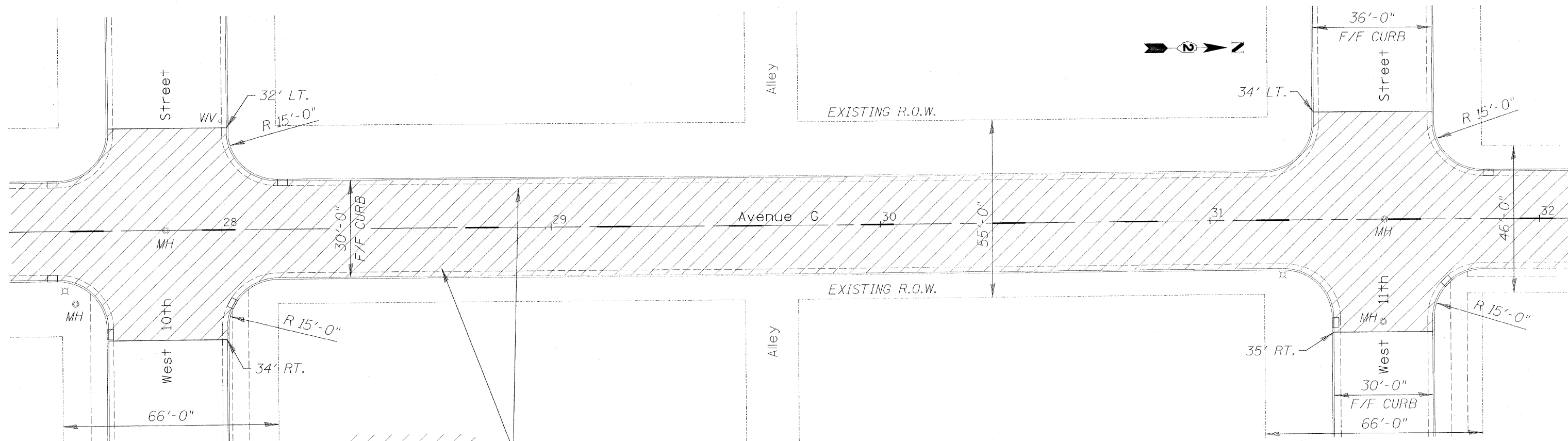
DESIGNED - BDF	REVISED -
DRAWN - JDH	REVISED -
CHECKED - BDF	REVISED -
DATE -	REVISED -

CITY OF STERLING, ILLINOIS
AVENUE G - 5TH STREET TO LE FEVRE RD.

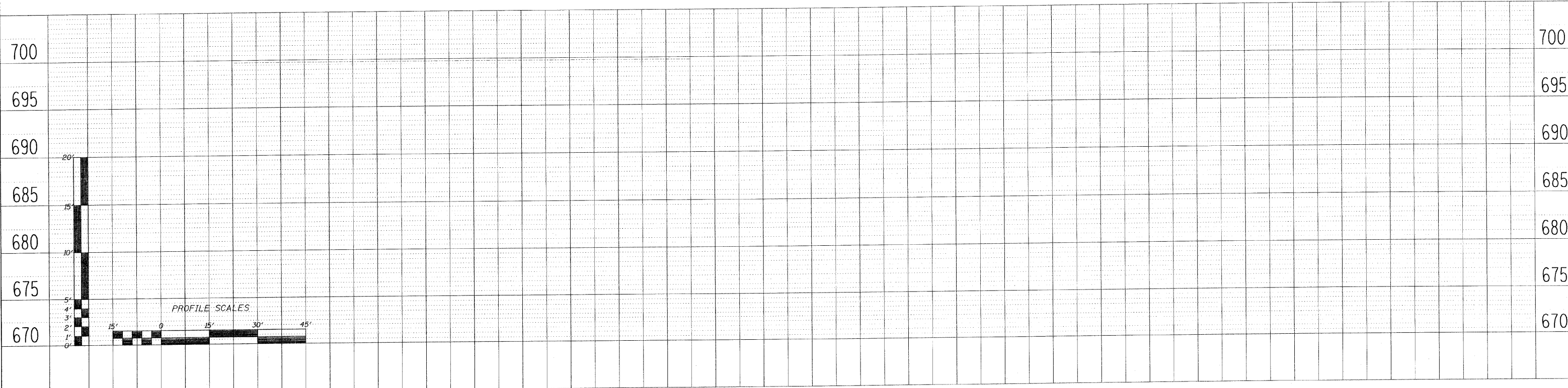
AVENUE G PLAN & PROFILE

SCALE: SHEET NO. 11 OF 31 SHEETS

F.A. RTE.	SECTION	COUNTY	TOTAL SHEETS	SHEET NO.
	09-00147-00-RS	WHITESIDE	31	11
CONTRACT NO. 85495				
FED. ROAD DIST. NO. ILLINOIS FED. AID PROJECT				



INDICATES LIMIT OF HOT MIX ASPHALT SURFACE REMOVAL - 2 3/4". REMOVE FULL WIDTH OF AVENUE G AND AT INTERSECTING STREETS AS SHOWN.



FILE NAME = L:\Users\2009\10266\09-00147-00-RS\Ave G_Sterling\Ave G_Layout_10.28.09.dgn

WILLETT, HOFMANN & ASSOCIATES, INC.
CONSULTING ENGINEERS
809 East Second Street Dixon, IL 61021
Phone 815.284.3381 Fax 815.284.3385
Design Firm #184-00918
www.willettthofmann.com

DESIGNED - BDF	REVISED -
DRAWN - JDH	REVISED -
CHECKED - BDF	REVISED -
DATE -	REVISED -

CITY OF STERLING, ILLINOIS
AVENUE G - 5TH STREET TO LE FEVRE RD.

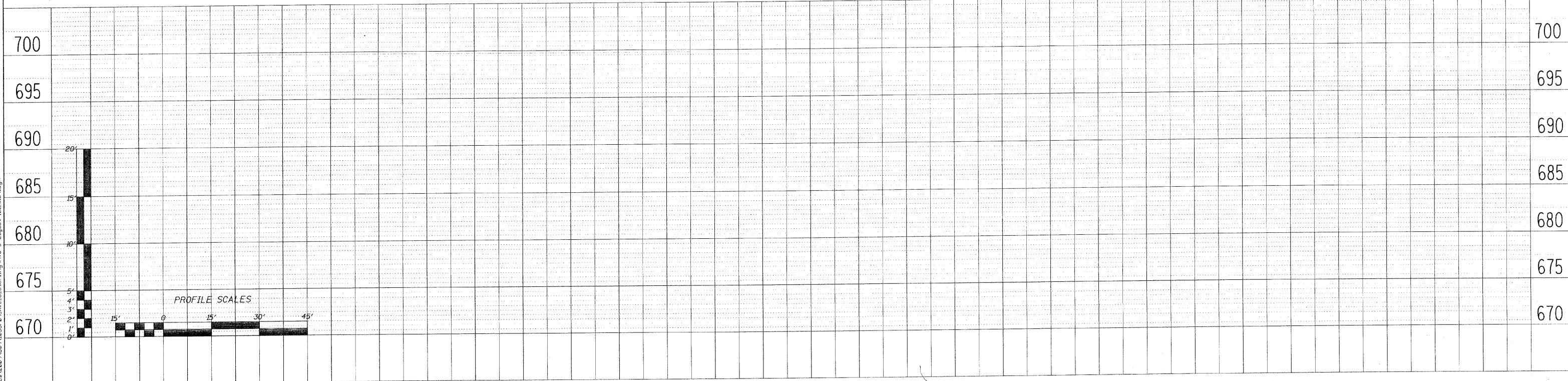
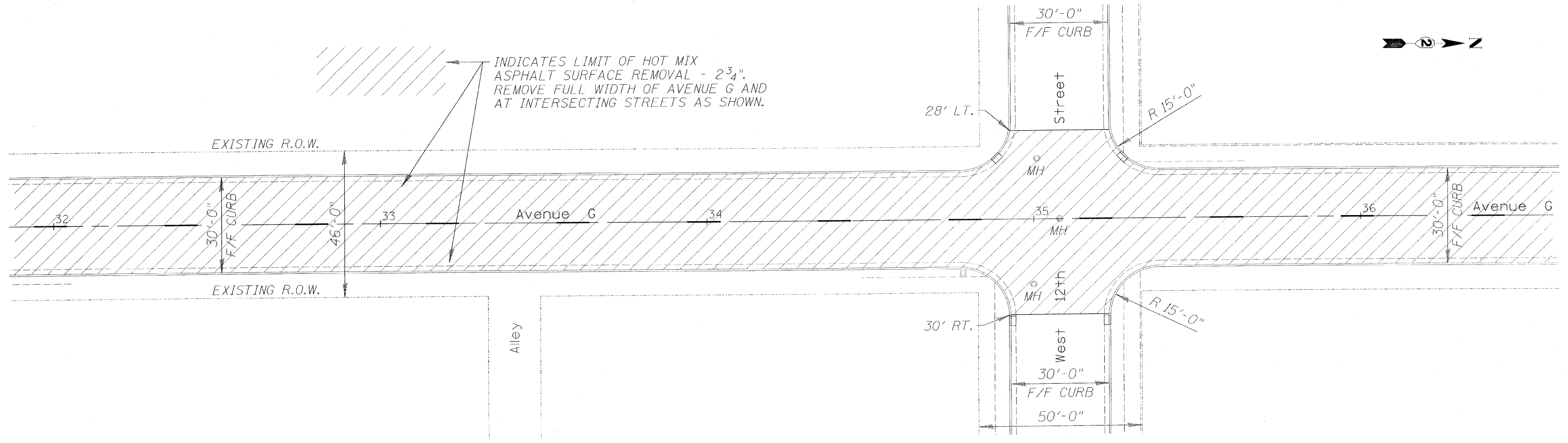
AVENUE G PLAN & PROFILE

SCALE: SHEET NO. 12 OF 31 SHEETS

F.A. RTE.	SECTION	COUNTY	TOTAL SHEETS	SHEET NO.
	09-00147-00-RS	WHITESIDE	31	12
CONTRACT NO. 85495				
FED. ROAD DIST. NO. ILLINOIS FED. AID PROJECT				



INDICATES LIMIT OF HOT MIX ASPHALT SURFACE REMOVAL - 2 3/4". REMOVE FULL WIDTH OF AVENUE G AND AT INTERSECTING STREETS AS SHOWN.



FILE NAME: L:\Jobs\2005\09\103525\Ave G Sterling\Ave G Layout 10.28.05.dgn

WILLET, HOFMANN & ASSOCIATES, INC.
CONSULTING ENGINEERS
809 East Second Street Dixon, IL 61021
Phone 815.284.3381 Fax 815.284.3385
Design Firm #184-00918
www.wiltothofmann.com

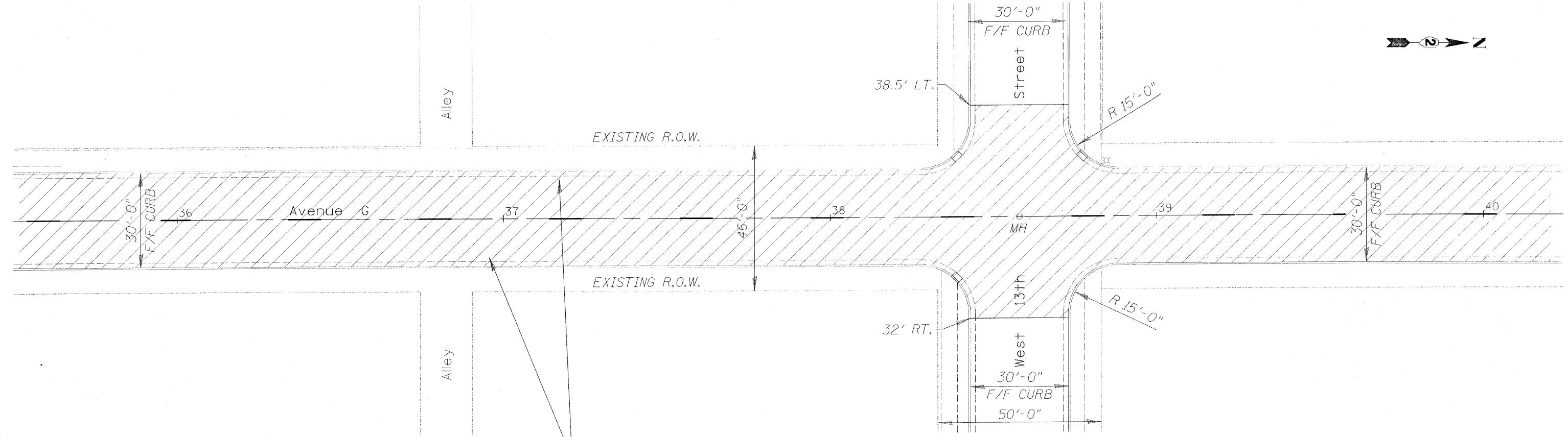
DESIGNED - BDF	REVISED -
DRAWN - JDH	REVISED -
CHECKED - BDF	REVISED -
DATE -	REVISED -

CITY OF STERLING, ILLINOIS AVENUE G - 5TH STREET TO LE FEVRE RD.

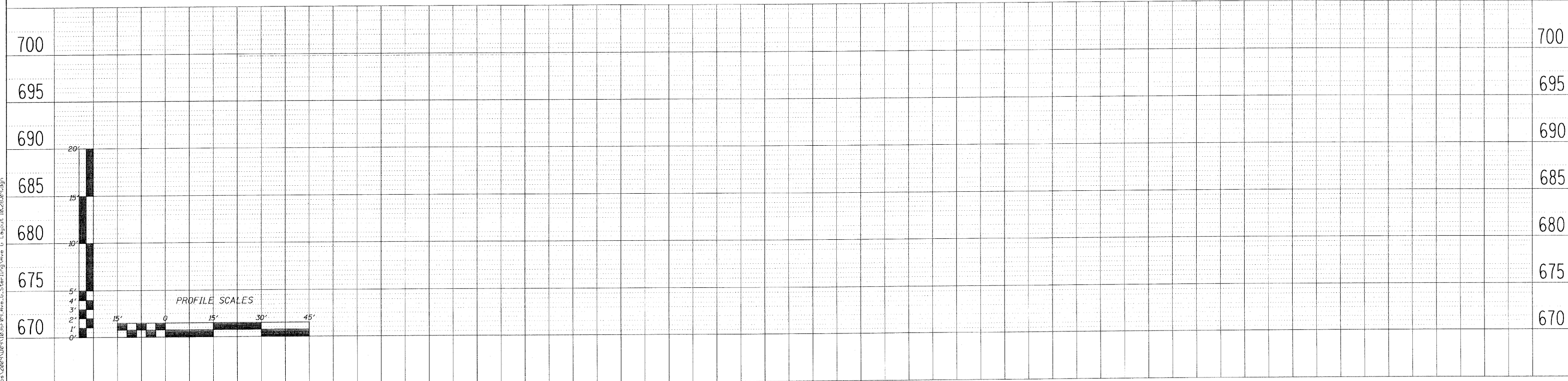
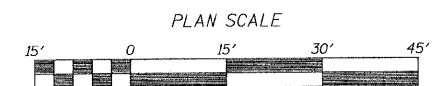
AVENUE G PLAN & PROFILE

SCALE: SHEET NO. 13 OF 31 SHEETS

F.A. RTE.	SECTION	COUNTY	TOTAL SHEETS	SHEET NO.
	09-00147-00-RS	WHITESIDE	31	13
CONTRACT NO. 85495				
FED. ROAD DIST. NO. [] ILLINOIS FED. AID PROJECT				



INDICATES LIMIT OF HOT MIX ASPHALT SURFACE REMOVAL - 2³/₄". REMOVE FULL WIDTH OF AVENUE G AND AT INTERSECTING STREETS AS SHOWN.



FILE NAME = L:\Jobs\28095\09-00147-00-Ave. G - Sterling Ave G - Layout 10.26.09.dgn

WILLET, HOFMANN & ASSOCIATES, INC.
 CONSULTING ENGINEERS
 809 East Second Street Dixon, IL 61021
 Phone 815-284-3381 Fax 815-284-3385
 Design Firm #194-00918
 www.willett-hofmann.com

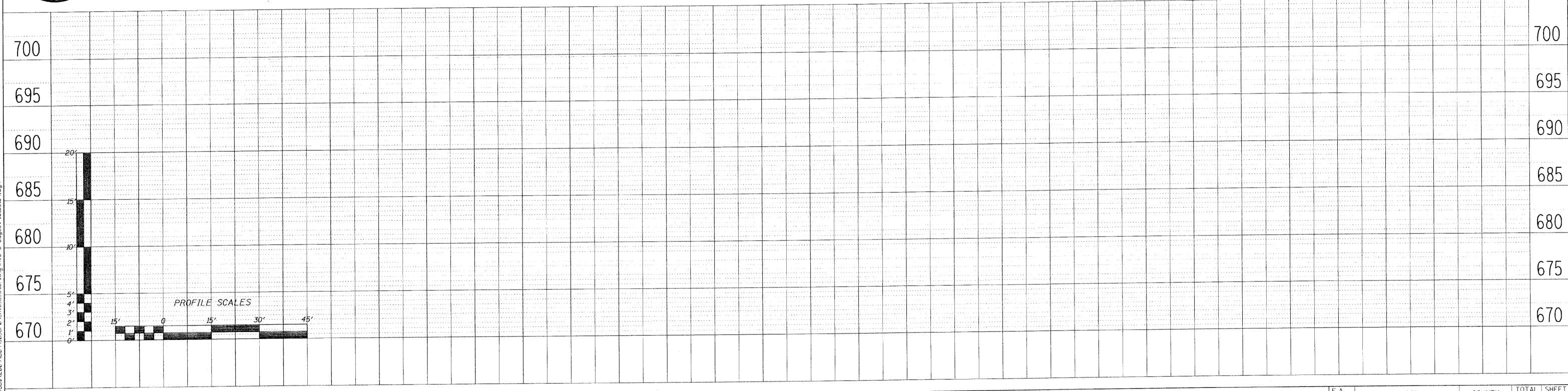
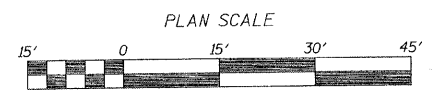
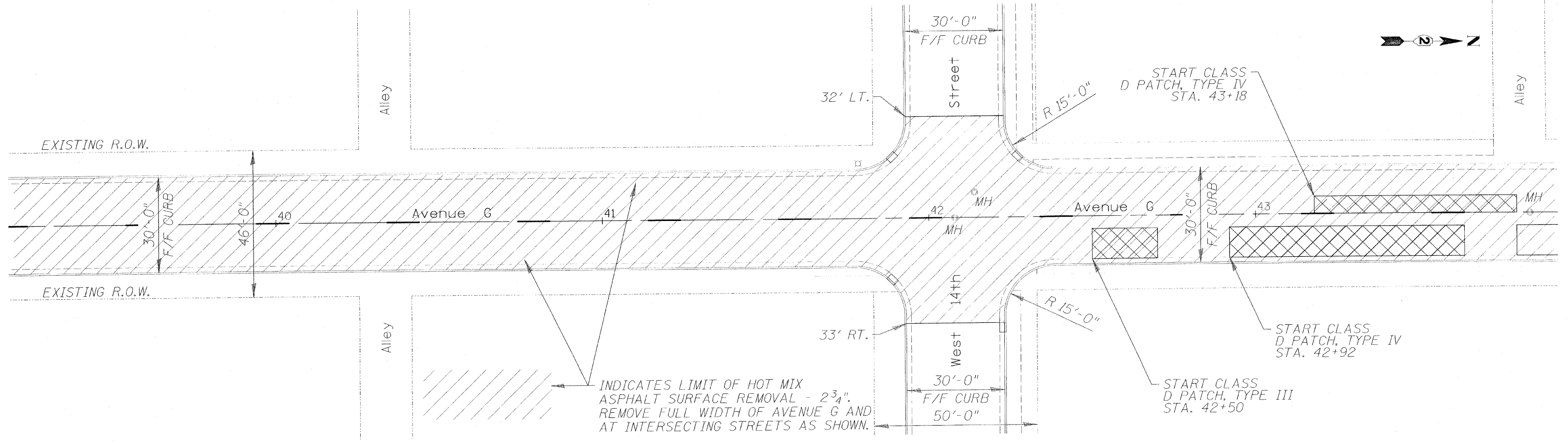
DESIGNED - BDF	REVISED -
DRAWN - JDH	REVISED -
CHECKED - BDF	REVISED -
DATE -	REVISED -

CITY OF STERLING, ILLINOIS
AVENUE G - 5TH STREET TO LE FEVRE RD.

AVENUE G PLAN & PROFILE

SCALE: SHEET NO. 14 OF 31 SHEETS

F.A. RTE.	SECTION	COUNTY	TOTAL SHEETS	SHEET NO.
	09-00147-00-RS	WHITESIDE	31	14
FED. ROAD DIST. NO. - ILLINOIS FED. AID PROJECT			CONTRACT NO. 85495	



FILE NAME: L:\Job\2209\08\Ave G_Sterling\Ave G Layout 18.28.09.dgn

WILLET, HOFMANN & ASSOCIATES, INC.
CONSULTING ENGINEERS
 808 East Second Street Dixon, IL 61021
 Phone 815.284.3381 Fax 815.284.3385
 Design Firm #184-00918
 www.willett-hofmann.com

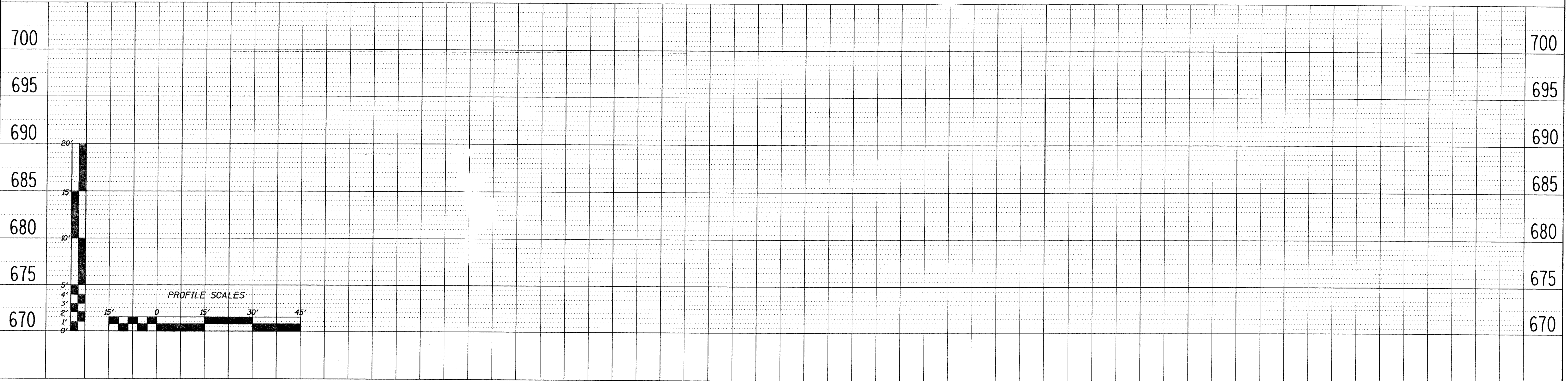
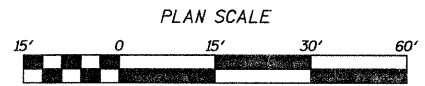
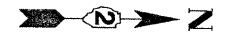
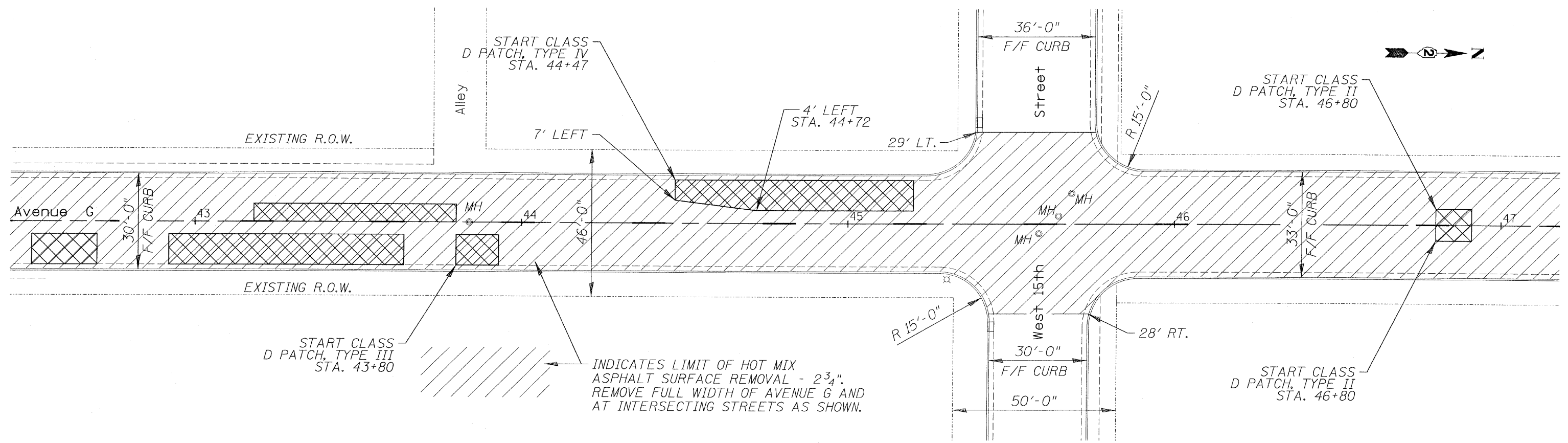
DESIGNED - BDF	REVISED -
DRAWN - JDH	REVISED -
CHECKED - BDF	REVISED -
DATE -	REVISED -

CITY OF STERLING, ILLINOIS
AVENUE G - 5TH STREET TO LE FEVRE RD.

AVENUE G PLAN & PROFILE

SCALE: SHEET NO. 15 OF 31 SHEETS

F.A. RTE.	SECTION	COUNTY	TOTAL SHEETS	SHEET NO.
	09-00147-00-RS	WHITESIDE	31	15
FED. ROAD DIST. NO. - ILLINOIS FED. AID PROJECT			CONTRACT NO. 85495	



FILE NAME: L:\Jaba\2009\09\1035\FR Ave G_Sterling Ave G_Layout 10.23.09.dgn

WILLET, HOFMANN & ASSOCIATES, INC.
 CONSULTING ENGINEERS
 809 East Second Street Dixon, IL 61021
 Phone: 815.284.3381 Fax: 815.284.3385
 Design Firm #194-00918
 www.willett-hofmann.com

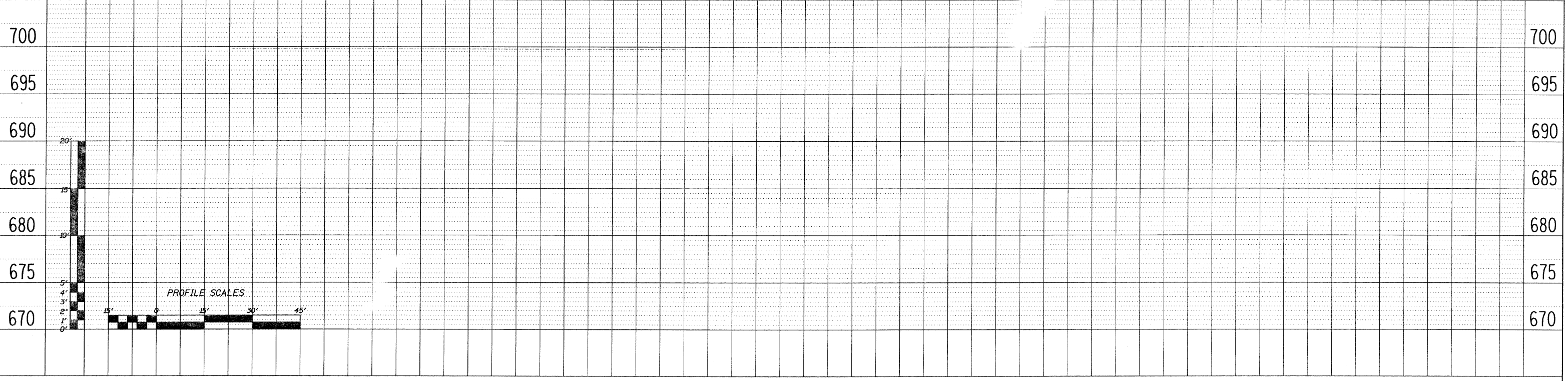
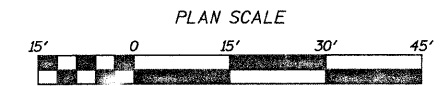
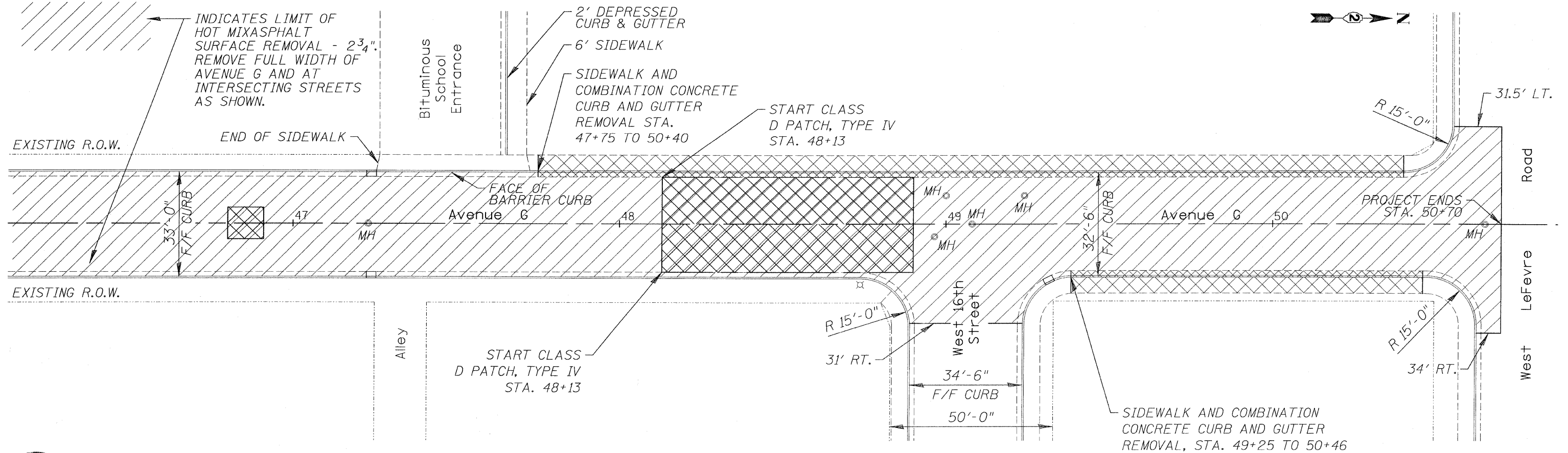
DESIGNED - BDF	REVISED -
DRAWN - JDH	REVISED -
CHECKED - BDF	REVISED -
DATE -	REVISED -

CITY OF STERLING, ILLINOIS
AVENUE G - 5TH STREET TO LE FEVRE RD.

AVENUE G PLAN & PROFILE

SCALE: SHEET NO. 16 OF 31 SHEETS

F.A. RTE.	SECTION	COUNTY	TOTAL SHEETS	SHEET NO.
	09-00147-00-RS	WHITESIDE	31	16
FED. ROAD DIST. NO. - [ILLINOIS] FED. AID PROJECT			CONTRACT NO. 85495	



FILE NAME = L:\Jobs\2005\09\103559\Ave. G - Sterling Ave G - Layout 10.28.05.dgn

WILLET, HOFMANN & ASSOCIATES, INC.
CONSULTING ENGINEERS
 809 East Second Street Dixon, IL 61021
 Phone 815.284.3381 Fax 815.284.3386
 Design Firm #184-00918
 www.willetthofmann.com

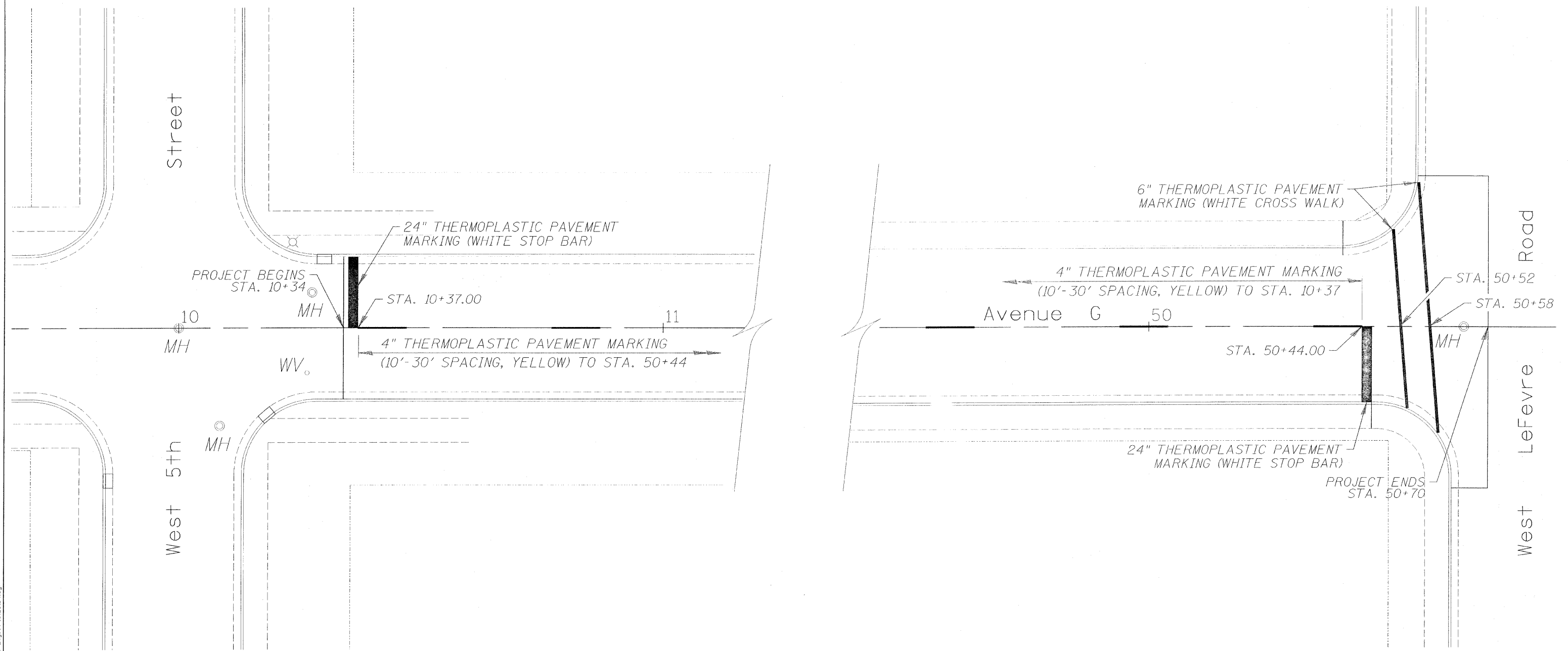
DESIGNED - BDF	REVISED -
DRAWN - JDH	REVISED -
CHECKED - BDF	REVISED -
DATE -	REVISED -

CITY OF STERLING, ILLINOIS
AVENUE G - 5TH STREET TO LE FEVRE RD.

AVENUE G PLAN & PROFILE

SCALE: SHEET NO. 17 OF 31 SHEETS

F.A.R.T.E.	SECTION	COUNTY	TOTAL SHEETS	SHEET NO.
	09-00147-00-RS	WHITESIDE	31	17
FED. ROAD DIST. NO. - ILLINOIS FED. AID PROJECT			CONTRACT NO. 85495	



FILE NAME: L:\Jobs\2009\091836\F09_Ave_G_Sterling\Ave G Layout 10/28/09.dgn

WILLET, HOFMANN & ASSOCIATES, INC.
CONSULTING ENGINEERS
 809 East Second Street Dixon, IL 61021
 Phone 815.294.3391 Fax 815.294.3395
 Design Firm #184-00918
 www.willett-hofmann.com

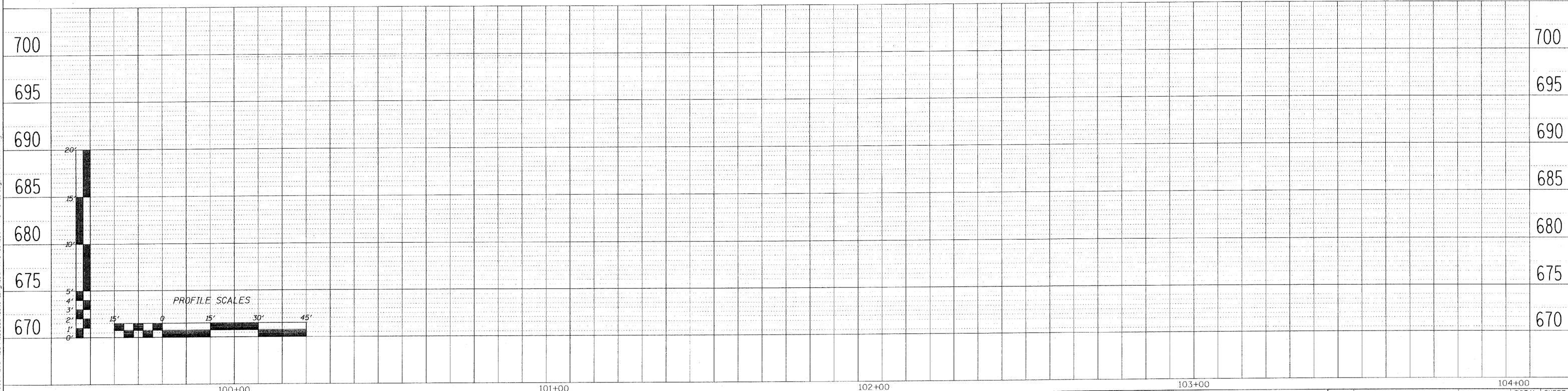
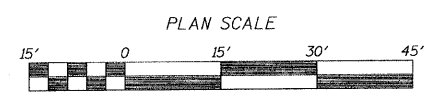
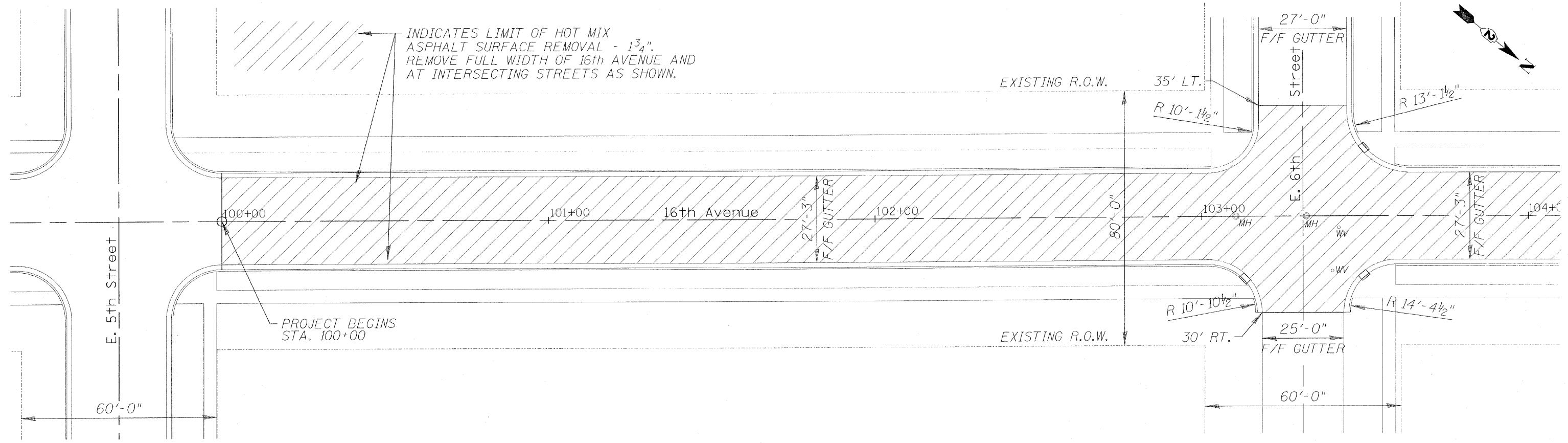
DESIGNED - BDF	REVISED -
DRAWN - JDH	REVISED -
CHECKED - BDF	REVISED -
DATE -	REVISED -

CITY OF STERLING, ILLINOIS
AVENUE G - 5TH STREET TO LE FEVRE RD.

AVENUE G PAVEMENT MARKINGS

F.A. RTE.	SECTION	COUNTY	TOTAL SHEETS	SHEET NO.
	09-00147-00-RS	WHITESIDE	31	18
CONTRACT NO. 85495				
FED. ROAD DIST. NO. ILLINOIS FED. AID PROJECT				

SCALE: SHEET NO. 18 OF 31 SHEETS



FILE NAME : L:\Jobs\2009\09-18\16th Avenue\16th Ave Final Layout 18.28.09.dgn

WILLET, HOFMANN & ASSOCIATES, INC.
CONSULTING ENGINEERS
 809 East Second Street Dixon, IL 61021
 Phone 815.284.3381 Fax 815.284.3385
 Design Firm #194-0018
 www.willett-hofmann.com

DESIGNED - BDF	REVISED -
DRAWN - JDH	REVISED -
CHECKED - BDF	REVISED -
DATE -	REVISED -

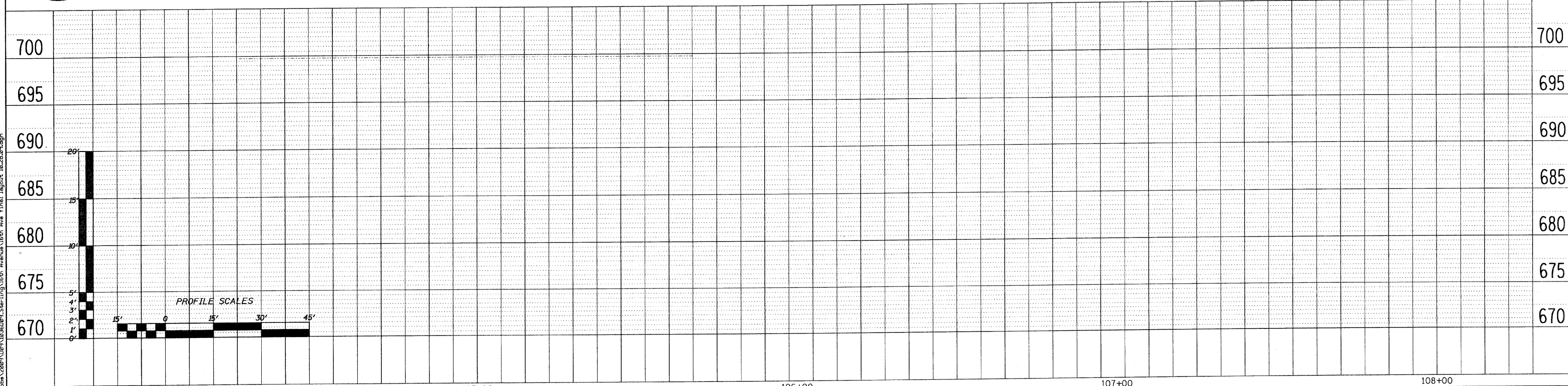
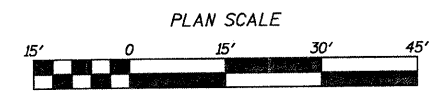
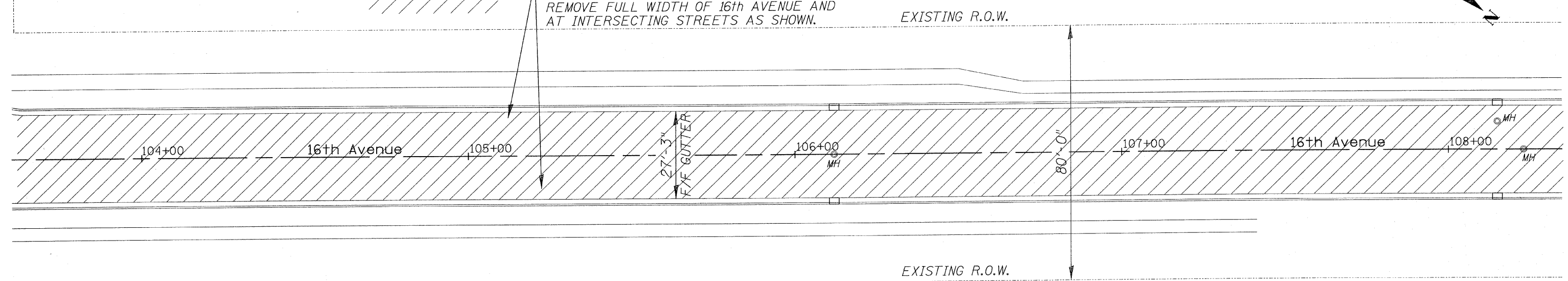
CITY OF STERLING, ILLINOIS
16TH AVE - E. 5TH STREET TO LE FEVRE RD.

16TH AVENUE PLAN & PROFILE

F.A. RTE.	SECTION	COUNTY	TOTAL SHEETS	SHEET NO.
	09-00147-00-RS	WHITESIDE	31	19
FED. ROAD DIST. NO. - ILLINOIS FED. AID PROJECT			CONTRACT NO. 85495	

SCALE: SHEET NO. 19 OF 31 SHEETS

INDICATES LIMIT OF HOT MIX ASPHALT SURFACE REMOVAL - 1 3/4". REMOVE FULL WIDTH OF 16th AVENUE AND AT INTERSECTING STREETS AS SHOWN.



FILE NAME = L:\Jobs\2009\095\16th Avenue\16th Ave Final Report 10.28.09.dgn

WILLET, HOFMANN & ASSOCIATES, INC.
 CONSULTING ENGINEERS
 809 East Second Street Dixon, IL 61021
 Phone 815-294-3381 Fax 815-294-3385
 Design Firm #104-00918
 www.willett-hofmann.com

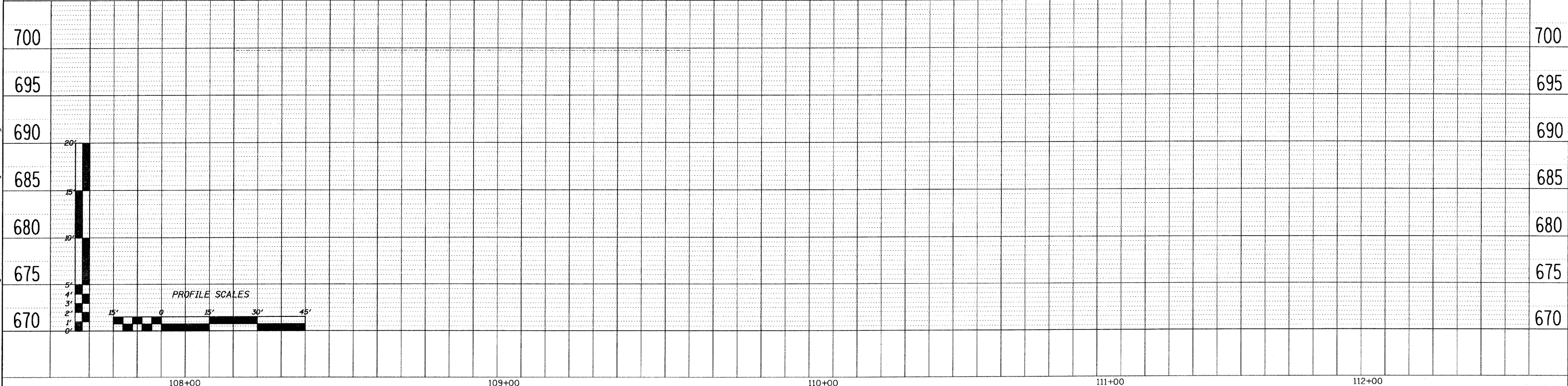
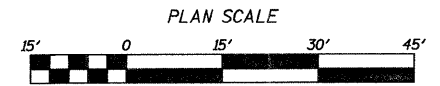
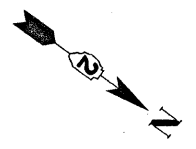
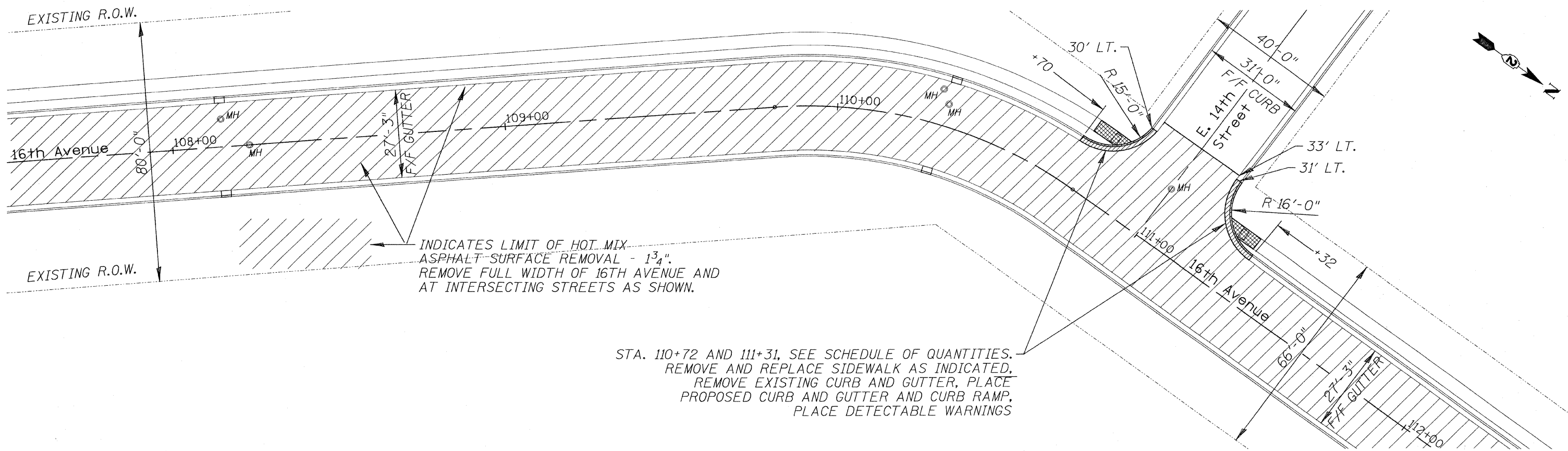
DESIGNED - BDF	REVISED -
DRAWN - JDH	REVISED -
CHECKED - BDF	REVISED -
DATE -	REVISED -

CITY OF STERLING, ILLINOIS
16TH AVE - E. 5TH STREET TO LE FEVRE RD.

16TH AVENUE PLAN & PROFILE

SCALE: SHEET NO. 20 OF 31 SHEETS

F.A. RTE.	SECTION	COUNTY	TOTAL SHEETS	SHEET NO.
	09-00147-00-RS	WHITESIDE	31	20
FED. ROAD DIST. NO. - ILLINOIS FED. AID PROJECT			CONTRACT NO. 85495	



FILE NAME = L:\Jobs\2009\09\10\16th Avenue\16th Ave Final Layout 10.26.09.dgn

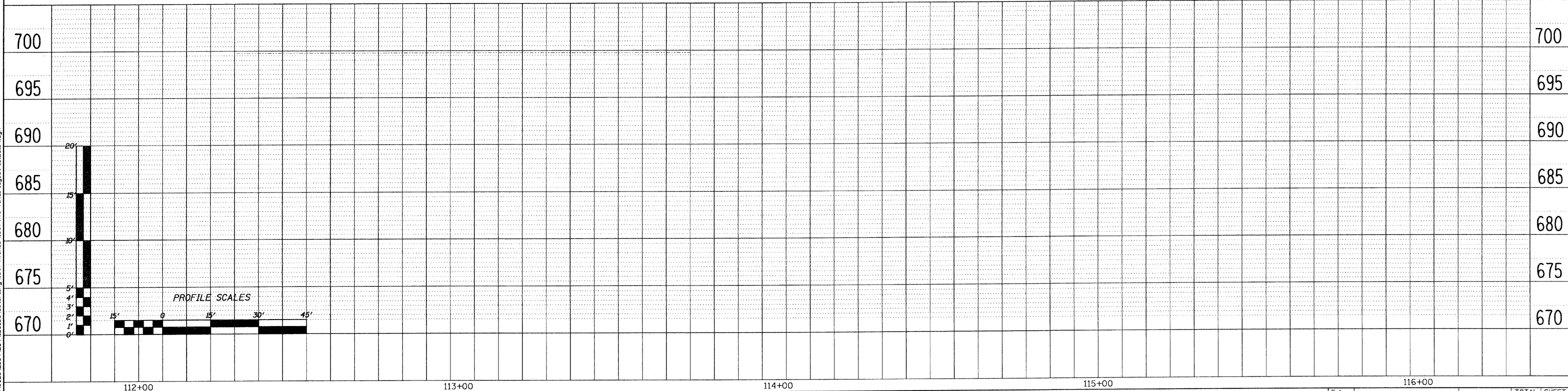
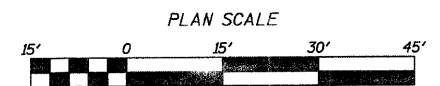
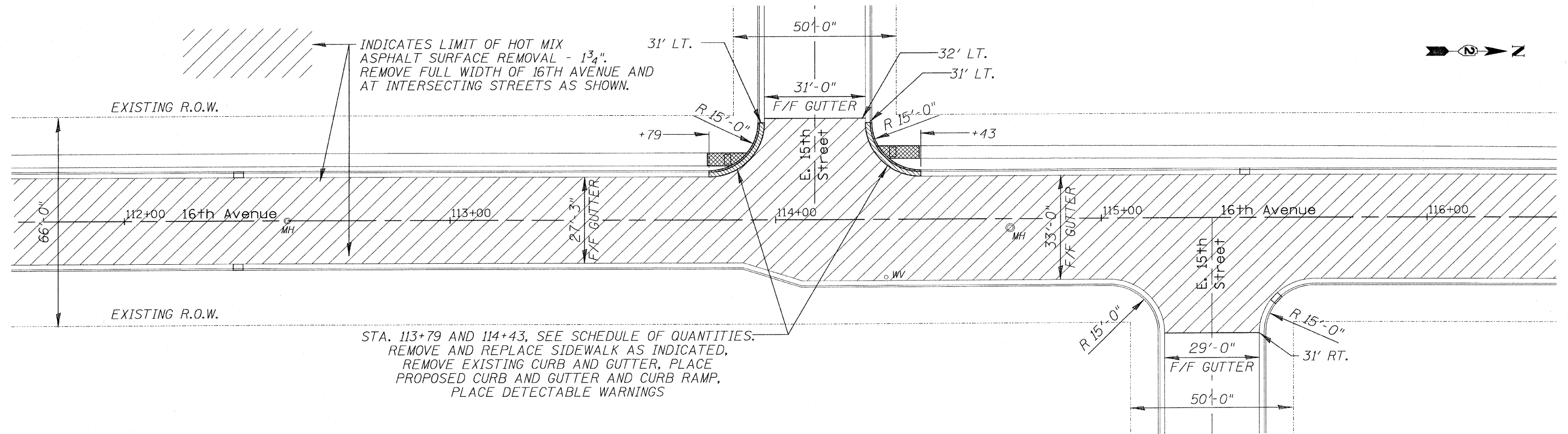
WILLET, HOFMANN & ASSOCIATES, INC.
 CONSULTING ENGINEERS
 809 East Second Street Dixon, IL 61021
 Phone 815.284.3381 Fax 815.284.3385
 Design Firm #184-00518
 www.willetthofmann.com

DESIGNED - BDF	REVISED -
DRAWN - JDH	REVISED -
CHECKED - BDF	REVISED -
DATE -	REVISED -

CITY OF STERLING, ILLINOIS
16TH AVE - E. 5TH STREET TO LE FEVRE RD.

16TH AVENUE PLAN & PROFILE
 SCALE: SHEET NO. 21 OF 31 SHEETS

F.A. RTE.	SECTION	COUNTY	TOTAL SHEETS	SHEET NO.
	09-00147-00-RS	WHITESIDE	31	21
FED. ROAD DIST. NO. -			ILLINOIS FED. AID PROJECT	
			CONTRACT NO. 85495	



FILE NAME = L:\Jobs\2009\09\16th Avenue\16th Ave Final Layout 10.28.09.dgn

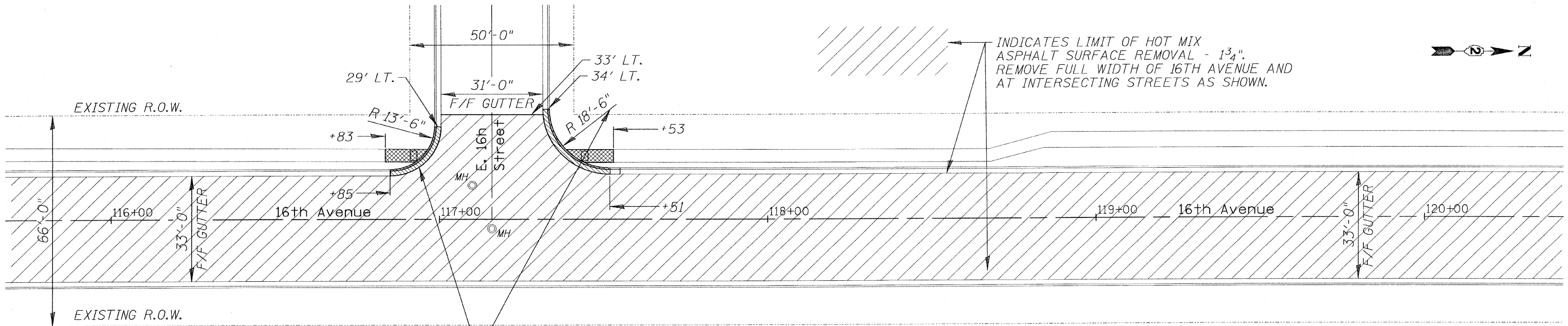
WILLET, HOFMANN & ASSOCIATES, INC.
CONSULTING ENGINEERS
 809 East Second Street, Dixon, IL 61021
 Phone: 815.284.3381 Fax: 815.284.3385
 Design Firm #184-00918
 www.willetthofmann.com

DESIGNED - BDF	REVISED -
DRAWN - JDH	REVISED -
CHECKED - BDF	REVISED -
DATE -	REVISED -

CITY OF STERLING, ILLINOIS
16TH AVE - E. 5TH STREET TO LE FEVRE RD.

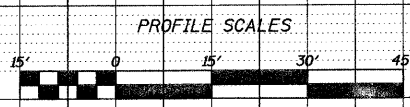
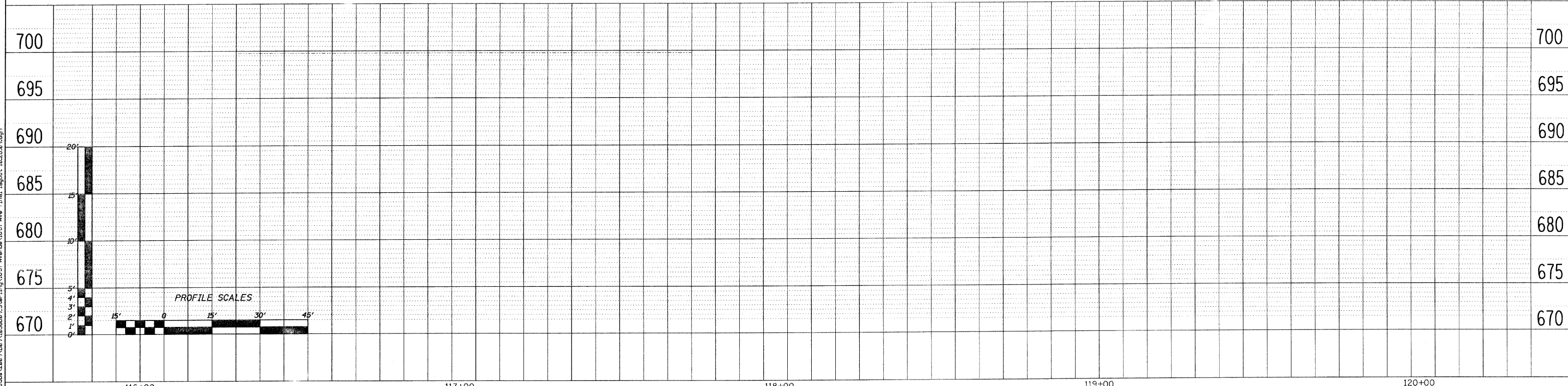
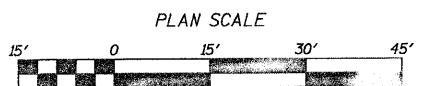
16TH AVENUE PLAN & PROFILE
 SCALE: SHEET NO. 22 OF 31 SHEETS

F.A. RTE.	SECTION	COUNTY	TOTAL SHEETS	SHEET NO.
	09-00147-00-RS	WHITESIDE	31	22
FED. ROAD DIST. NO. - [ILLINOIS] FED. AID PROJECT			CONTRACT NO. 85495	



INDICATES LIMIT OF HOT MIX ASPHALT SURFACE REMOVAL - 1 3/4\". REMOVE FULL WIDTH OF 16TH AVENUE AND AT INTERSECTING STREETS AS SHOWN.

STA. 116+83 AND 117+53, SEE SCHEDULE OF QUANTITIES. REMOVE AND REPLACE SIDEWALK AS INDICATED, REMOVE EXISTING CURB AND GUTTER, PLACE PROPOSED CURB AND GUTTER AND CURB RAMP, PLACE DETECTABLE WARNINGS



FILE NAME = L:\Jobs\2009\09\1036099_Sterling_16th Ave Final_Layout_10.28.09.dgn

WILLET, HOFMANN & ASSOCIATES, INC.
 CONSULTING ENGINEERS
 809 East Second Street, Dixon, IL 61021
 Phone: 815.284.3381 Fax: 815.284.3385
 Design Firm #184-00918
 www.willett-hofmann.com

DESIGNED - BDF	REVISED -
DRAWN - JDH	REVISED -
CHECKED - BDF	REVISED -
DATE -	REVISED -

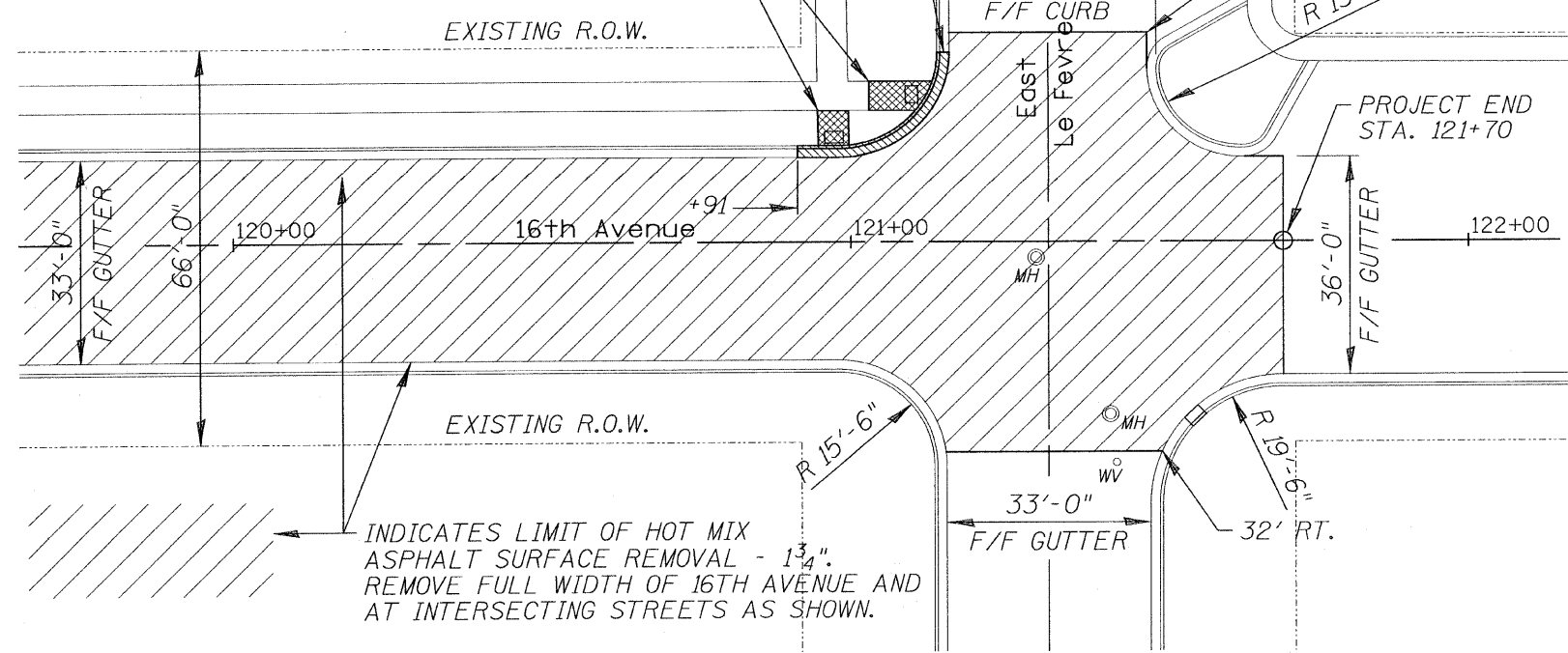
CITY OF STERLING, ILLINOIS
16TH AVE - E. 5TH STREET TO LE FEVRE RD.

16TH AVENUE PLAN & PROFILE

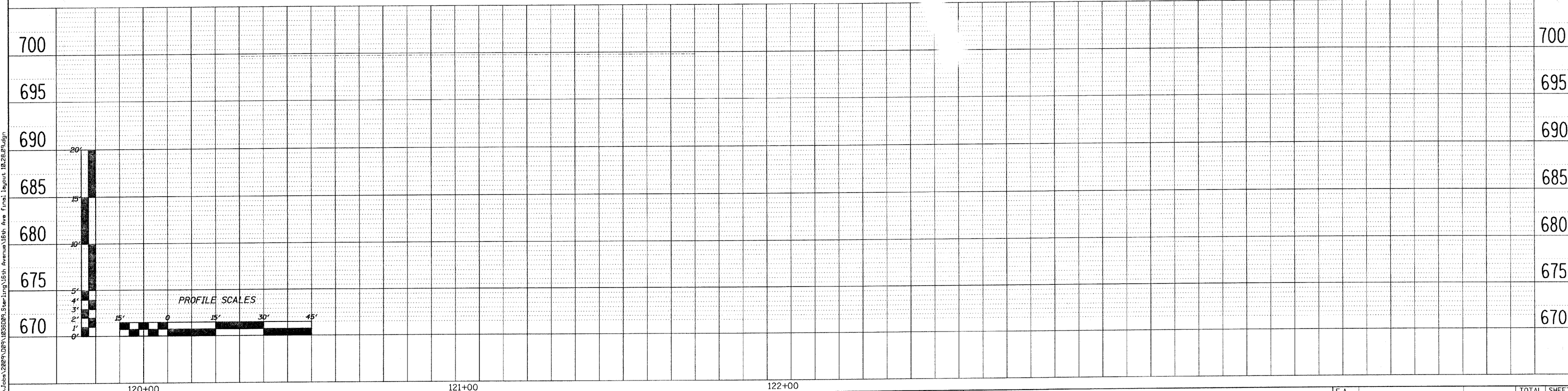
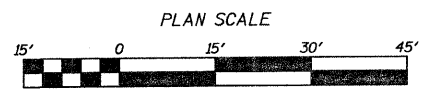
SCALE: SHEET NO. 23 OF 31 SHEETS

F.A. RTE.	SECTION	COUNTY	TOTAL SHEETS	SHEET NO.
	09-00147-00-RS	WHITESIDE	31	23
FED. ROAD DIST. NO. ILLINOIS FED. AID PROJECT			CONTRACT NO. 85495	

STA. 120+97 AND 121+10,
SEE SCHEDULE OF QUANTITIES.
REMOVE AND REPLACE SIDEWALK AS INDICATED,
REMOVE EXISTING CURB AND GUTTER, PLACE
PROPOSED CURB AND GUTTER AND CURB RAMP,
PLACE DETECTABLE WARNINGS



INDICATES LIMIT OF HOT MIX
ASPHALT SURFACE REMOVAL - 1 3/4".
REMOVE FULL WIDTH OF 16TH AVENUE AND
AT INTERSECTING STREETS AS SHOWN.



FILE NAME: L:\Jobs\2009\091\0250091\0250091\16th Avenue\16th Ave Final Layout 10.28.09.dgn

WILLET, HOFMANN & ASSOCIATES, INC.
CONSULTING ENGINEERS
809 East Second Street Dixon, IL 61021
Phone 815.294.3381 Fax 815.294.3385
Design Firm #184-00919
www.willett-hofmann.com

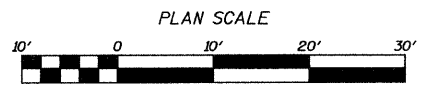
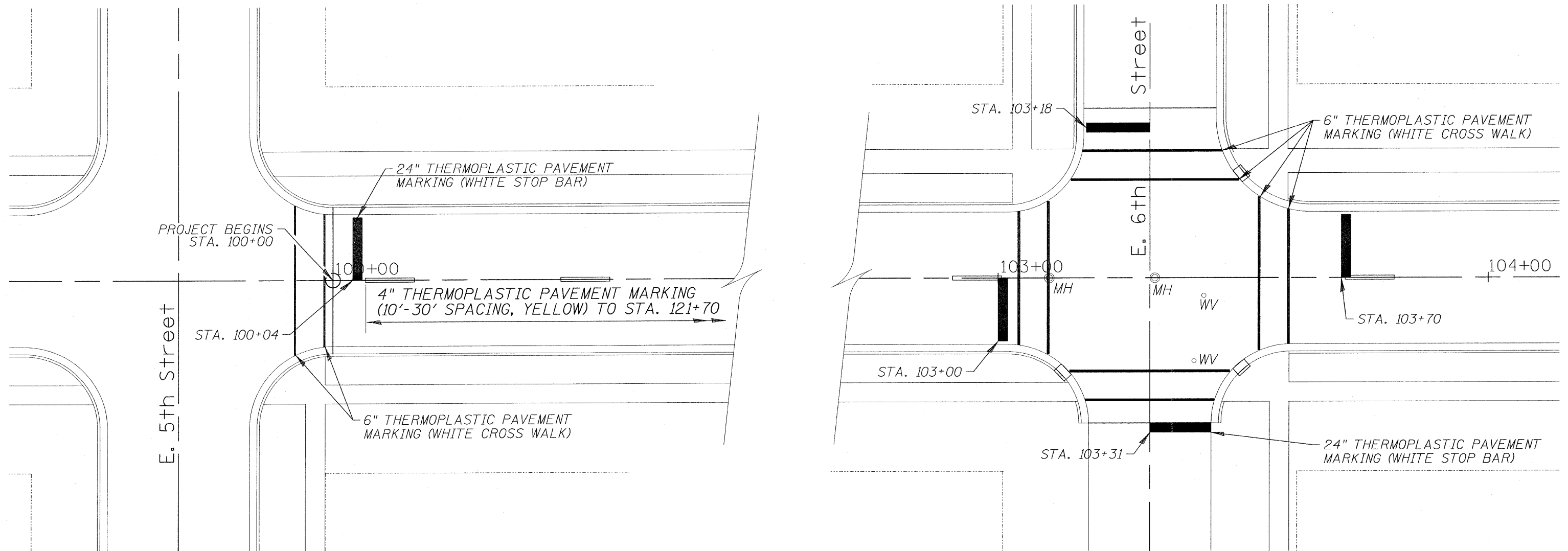
DESIGNED - BDF	REVISED -
DRAWN - JDH	REVISED -
CHECKED - BDF	REVISED -
DATE -	REVISED -

CITY OF STERLING, ILLINOIS
16TH AVE - E. 5TH STREET TO LE FEVRE RD.

16TH AVENUE PLAN & PROFILE

F.A. RTE.	SECTION	COUNTY	TOTAL SHEETS	SHEET NO.
	09-00147-00-RS	WHITESIDE	31	24
FED. ROAD DIST. NO. - ILLINOIS FED. AID PROJECT			CONTRACT NO. 85495	

SCALE: SHEET NO. 24 OF 31 SHEETS



FILE NAME = L:\Jobs\2009\08\1026\09_16th Ave Final Layout 10.28.09.dgn

WILLET, HOFMANN & ASSOCIATES, INC.
CONSULTING ENGINEERS
 809 East Second Street Dixon, IL 61021
 Phone 815.284.3381 Fax 815.284.3385
 Design Firm #184-00813
 www.willett-hofmann.com

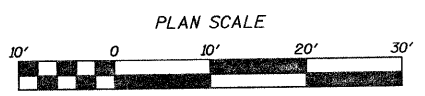
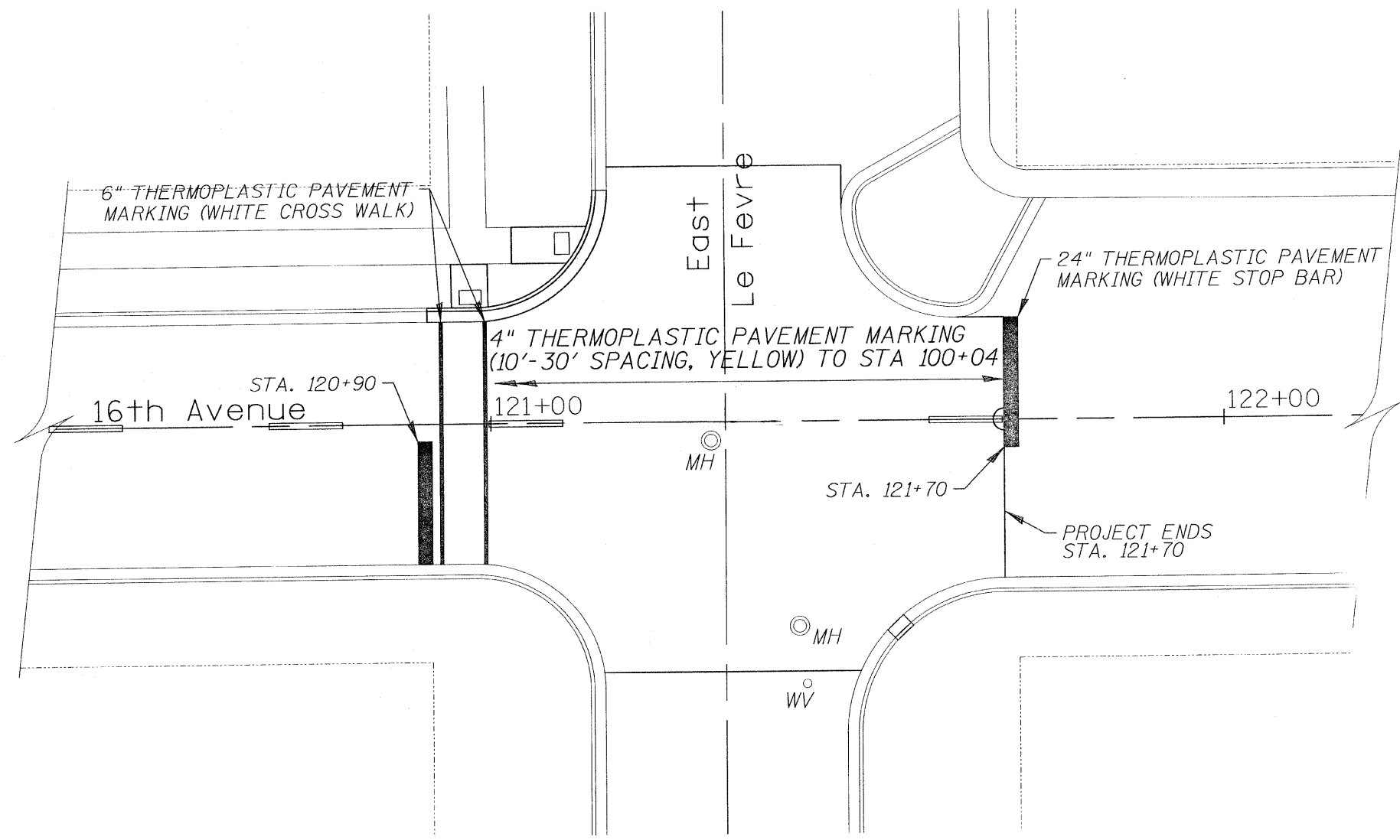
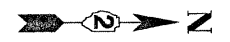
DESIGNED - BDF	REVISED -
DRAWN - JDH	REVISED -
CHECKED - BDF	REVISED -
DATE -	REVISED -

CITY OF STERLING, ILLINOIS
16TH AVE - E. 5TH STREET TO LE FEVRE RD.

16TH AVENUE PAVEMENT MARKINGS

F.A. RTÉ.	SECTION	COUNTY	TOTAL SHEETS	SHEET NO.
	09-00147-00-RS	WHITESIDE	31	25
CONTRACT NO. 85495				
FED. ROAD DIST. NO. - ILLINOIS FED. AID PROJECT				

SCALE: SHEET NO. 25 OF 31 SHEETS



FILE NAME = I:\Jobs\2009\CDP\10256\09_Sterling\16th Avenue\16th Ave Final Layout 10.28.09.dgn

WILLET, HOFMANN & ASSOCIATES, INC.
CONSULTING ENGINEERS
 809 East Second Street Dixon, IL 61021
 Phone 815.284.3381 Fax 815.284.3385
 Design Firm #184-00019
 www.willettthofmann.com

DESIGNED - BDF	REVISED -
DRAWN - JDH	REVISED -
CHECKED - BDF	REVISED -
DATE -	REVISED -

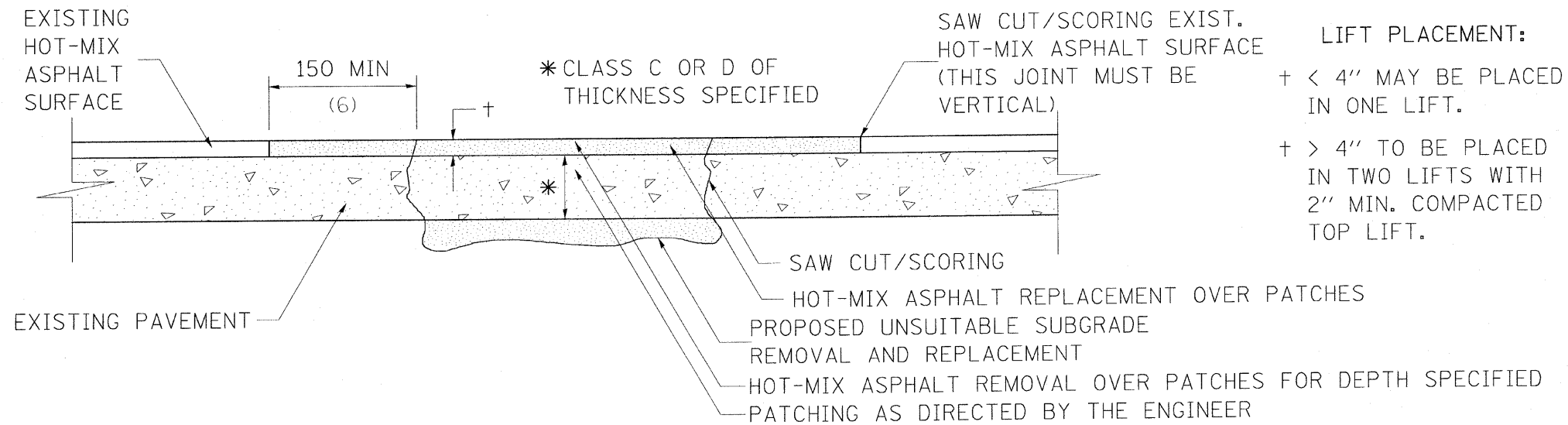
CITY OF STERLING, ILLINOIS
16TH AVE - E. 5TH STREET TO LE FEVRE RD.

16TH AVENUE PAVEMENT MARKINGS

SCALE: SHEET NO. 26 OF 31 SHEETS

F.A. RTE.	SECTION	COUNTY	TOTAL SHEETS	SHEET NO.
	09-00147-00-RS	WHITESIDE	31	26
CONTRACT NO. 85495				
FED. ROAD DIST. NO. ILLINOIS FED. AID PROJECT				

PAVEMENT PATCHING FOR HOT-MIX ASPHALT SURFACED PAVEMENT



SEQUENCE OF CONSTRUCTION:

1. REMOVE THE EXISTING HOT-MIX ASPHALT SURFACE.
2. RESIDENT ENGINEER WILL DETERMINE IF LOCATION IS TO BE PATCHED OR TO ONLY REPLACE HOT-MIX ASPHALT SURFACE.
3. REMOVE AND REPLACE FULL DEPTH PATCHES AT LOCATIONS DIRECTED BY THE ENGINEER.
4. REPLACE HOT-MIX ASPHALT SURFACE OVER FULL DEPTH PATCHES AND AT LOCATIONS OF HOT-MIX ASPHALT SURFACE REMOVAL.

GENERAL NOTES:

1. FOR BASIS OF PAYMENT: SEE THE RECURRING SPECIAL PROVISION "PATCHING WITH HOT-MIX ASPHALT OVERLAY REMOVAL".

ALL DIMENSIONS ARE IN MILLIMETERS (INCHES) UNLESS OTHERWISE NOTED.

REVISED - 5-27-09

FILE NAME = L:\Jobs\2009\091\0365705\Start\mg\16th Avenue\16th Ave Final Layout 10.28.09.dgn

WILLET, HOFMANN & ASSOCIATES, INC.
CONSULTING ENGINEERS
 809 East Second Street Dixon, IL 61021
 Phone 815.284.3381 Fax 815.284.3385
 Design Firm # 184-00918
 www.willett-hofmann.com

DESIGNED - BDF	REVISED -
DRAWN - JDH	REVISED -
CHECKED - BDF	REVISED -
DATE - 10/30/2009	REVISED -

CITY OF STERLING, ILLINOIS
AVENUE G AND 16TH AVENUE

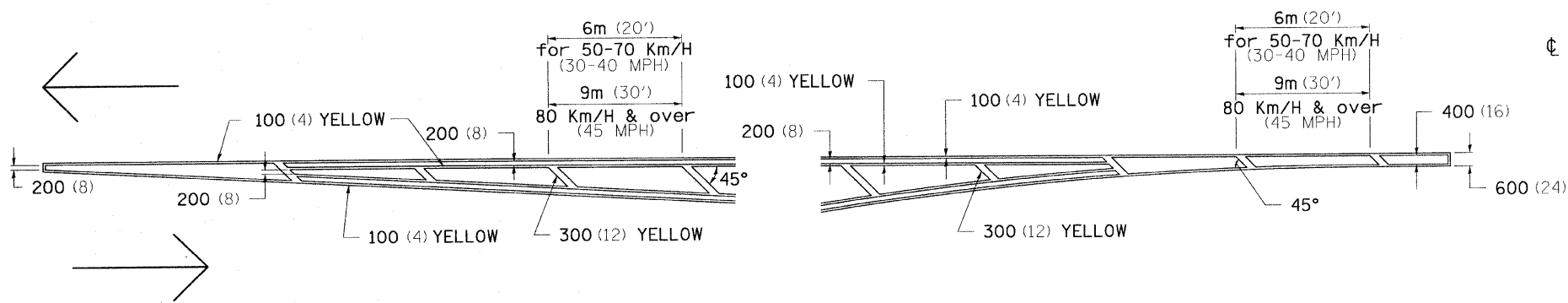
PAVEMENT PATCHING FOR HOT-MIX ASPHALT SURFACE PAVEMENT, DS 32.4

SCALE: SHEET NO. 27 OF 31 SHEETS

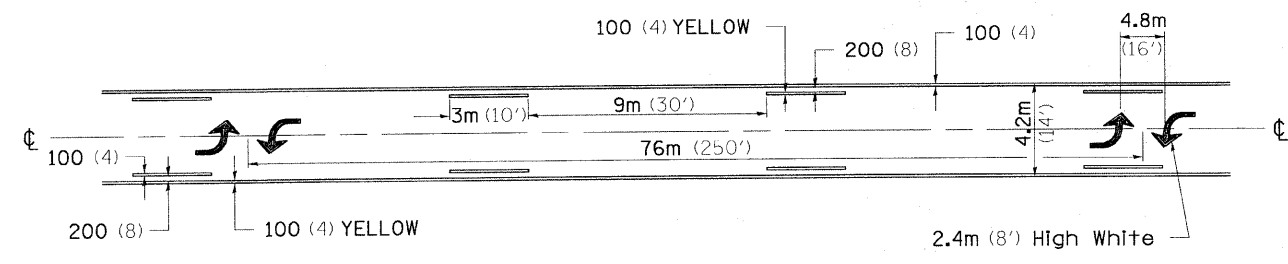
F.A. RTE.	SECTION	COUNTY	TOTAL SHEETS	SHEET NO.
	09-00147-00-RS	WHITESIDE	31	27
FED. ROAD DIST. NO. - ILLINOIS FED. AID PROJECT			CONTRACT NO. 85495	

TYPICAL PAVEMENT MARKINGS

TYPICAL PAVEMENT MARKING FOR FLUSH MEDIAN AT LEFT TURN LANE

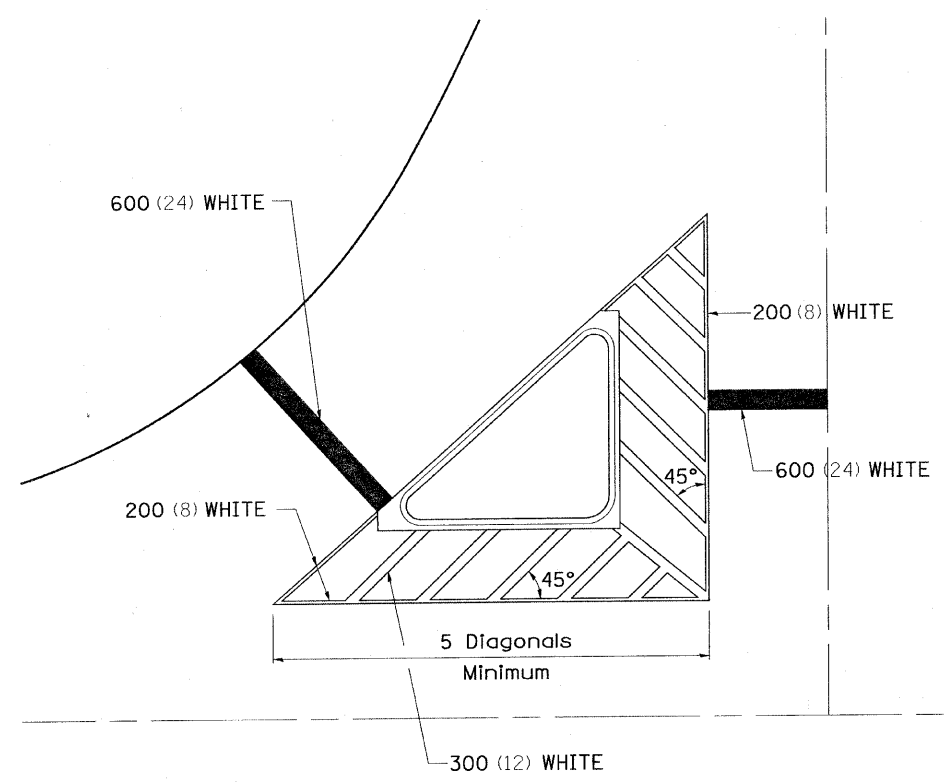


MEDIAN PAVEMENT MARKING

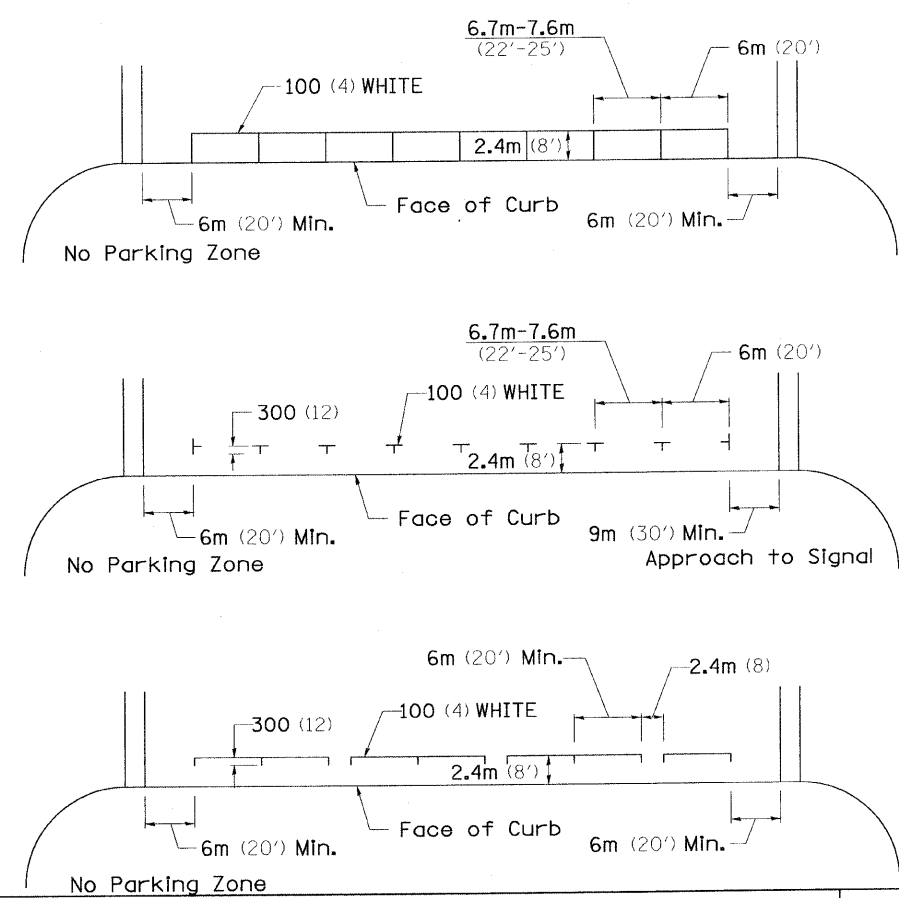


** ALL DIMENSIONS ARE IN MILLIMETERS (INCHES) UNLESS OTHERWISE NOTED.

TYPICAL ISLAND OFFSET SHOULDER WIDTH

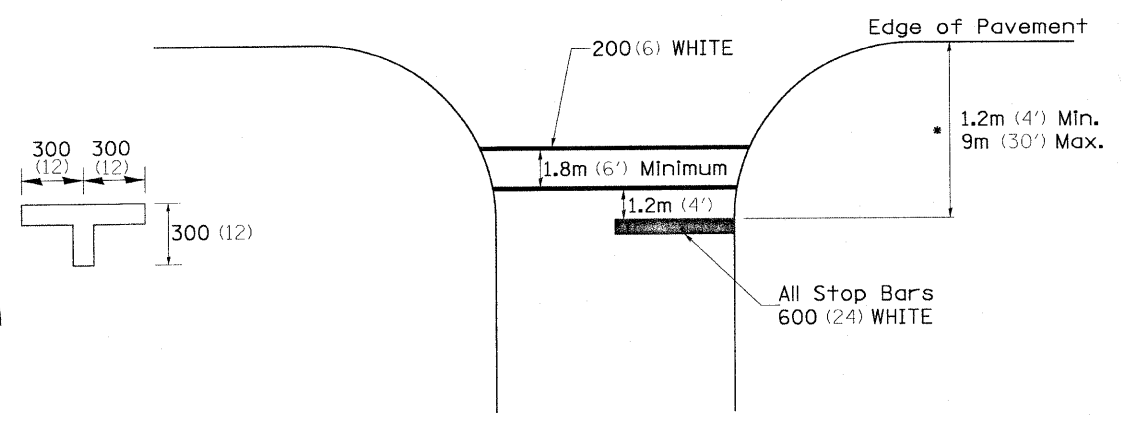


TYPICAL PARKING SPACING



STANDARD CROSSWALK MARKING

See Schedules for Locations



* Distance to the nearest edge of the intersecting roadway in the absence of a marked crosswalk.

FILE NAME: L:\Jobs\2009\0951023\F09_Sterling\16th Avenue\16th Ave Final Layout 10.28.09.dgn

WILLET, HOFMANN & ASSOCIATES, INC.
CONSULTING ENGINEERS
 809 East Second Street Dixon, IL 61021
 Phone: 815.284.3381 Fax: 815.284.3385
 Design Firm # 164-00916
 www.willett-hofmann.com

DESIGNED - BDF	REVISED -
DRAWN - JDH	REVISED -
CHECKED - BDF	REVISED -
DATE - 10/30/2009	REVISED -

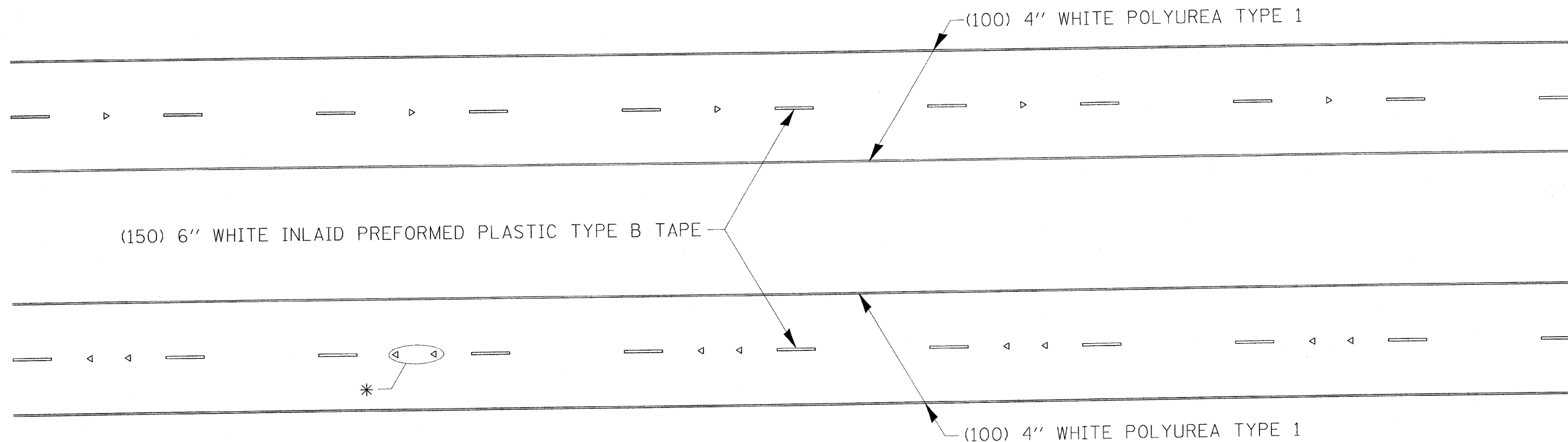
CITY OF STERLING, ILLINOIS
AVENUE G AND 16TH AVENUE

TYPICAL PAVEMENT MARKINGS, DS 41.1

SCALE: SHEET NO. 28 OF 31 SHEETS

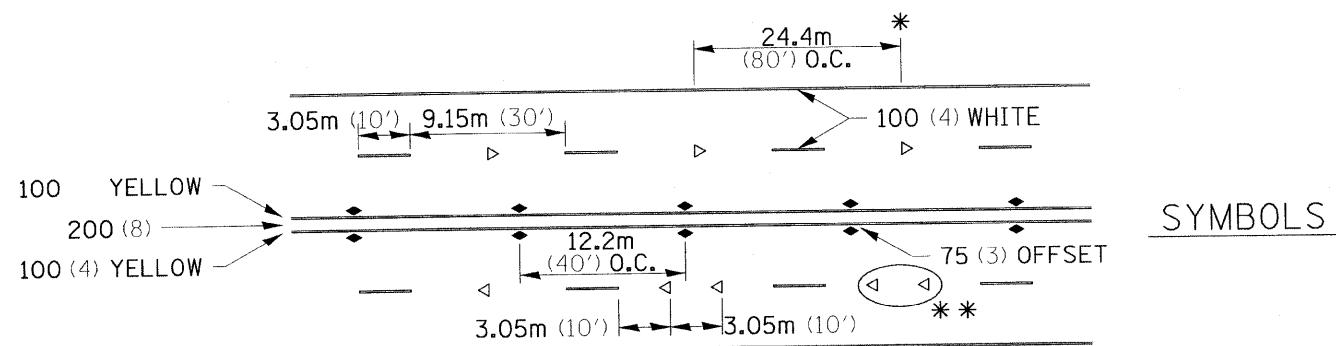
F.A. RTE.	SECTION	COUNTY	TOTAL SHEETS	SHEET NO.
	09-00147-00-RS	WHITESIDE	31	28
FED. ROAD DIST. NO. ILLINOIS FED. AID PROJECT				

TYPICAL PAVEMENT MARKINGS



* SEE HIGHWAY STANDARD 781001 FOR SPACING DETAILS.
USE DOUBLE MARKERS WHEN ADT \geq 25,000.

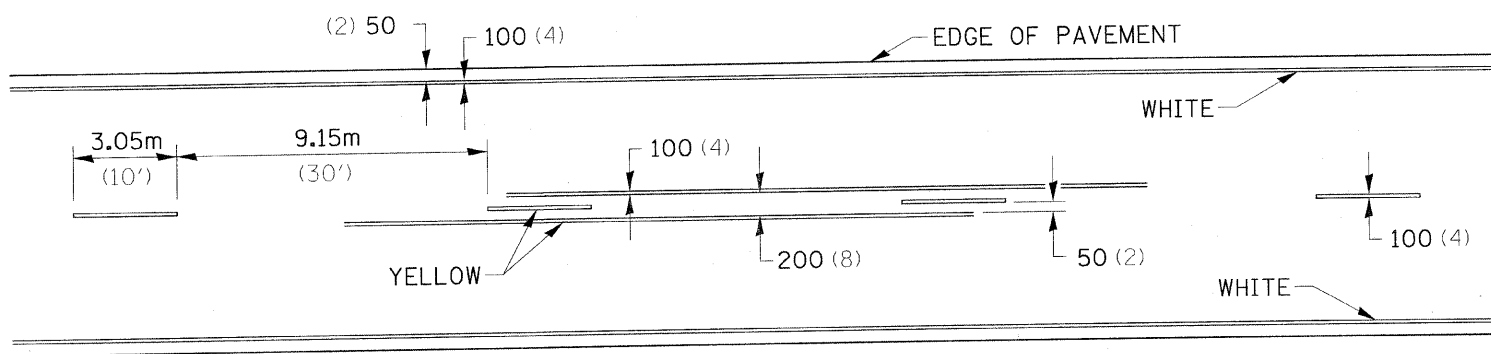
MULTI-LANE / DIVIDED



* REDUCE TO 12.2m (40') O.C. ON CURVES WHERE ADVISORY SPEEDS ARE 15Km/H (10MPH) LOWER THAN POSTED SPEEDS.
** USE DOUBLE MARKERS WHEN ADT \geq 25,000

MULTI-LANE / UNDIVIDED

TYPICAL PAVEMENT MARKING FOR TWO LANE SECTION - NO PASSING ZONES



SYMBOLS

FILE NAME: L:\Jobs\22091\DD91\0286\01_Surveying\16th Avenue\16th Ave Final Layout 12.28.09.dgn

ROUGH GROOVED SURFACE SIGN

ILLINOIS STANDARD W8-I107
SIGN PANEL TYPE 1



COLOR: LEGEND AND BORDER - BLACK NON-REFLECTIVE
BACKGROUND - ORANGE REFLECTORIZED

SIGN SIZE	DIMENSIONS							
	A	B	C	D	E	F	G	H
1200x1200 (48x48)	1200 (48.0)	600 (24.1)	75 (3.0)	850 (34.0)	825 (33.0)	150 (6.0)	325 (13.0)	88 (3.5)

SIGN SIZE	SERIES			MARGIN	BORDER	BLANK STD.
	LINES					
	1	2	3			
1200x1200 (48x48)	7C	7C	7C	20 (0.8)	30 (1.2)	B4-48D

ALL DIMENSIONS IN INCHES.

REVISED - 1-09-08

GENERAL NOTES

SIGN PANELS AND FACE MATERIALS SHALL BE ACCORDING TO SECTION 720 OF THE STANDARD SPECIFICATIONS
METAL POSTS SHALL BE IN ACCORDANCE WITH STD. 720011.

ALL MOUNTING HARDWARE SHALL BE ALUMINUM, STAINLESS STEEL, ZINC OR CADMIUM PLATED STEEL AND SHALL BE INCLUDED TO THE COST OF THE INSTALLATION.

ALL DIMENSIONS ARE IN MILLIMETERS (INCHES) UNLESS OTHERWISE NOTED.

FILE NAME: L:\Jobs\2009\091\0236701_Spec-1mg\16th Avenue\16th Ave f.incl layout.16.28.09.dgn

WILLET, HOFMANN & ASSOCIATES, INC.
CONSULTING ENGINEERS
809 East Second Street Dixon, IL 61021
Phone 815.284.3381 Fax 815.284.3385
Design Firm # 184-00519
www.willett-hofmann.com

DESIGNED - BDF	REVISED -
DRAWN - JDH	REVISED -
CHECKED - BDF	REVISED -
DATE - 10/30/2009	REVISED -

CITY OF STERLING, ILLINOIS
AVENUE G AND 16TH AVENUE

ROUGH GROOVED SURFACE, DS 41.1

SCALE: SHEET NO. 31 OF 31 SHEETS

F.A. RTE.	SECTION	COUNTY	TOTAL SHEETS	SHEET NO.
	09-00147-00-RS	WHITESIDE	31	31
FED. ROAD DIST. NO. - ILLINOIS FED. AID PROJECT				