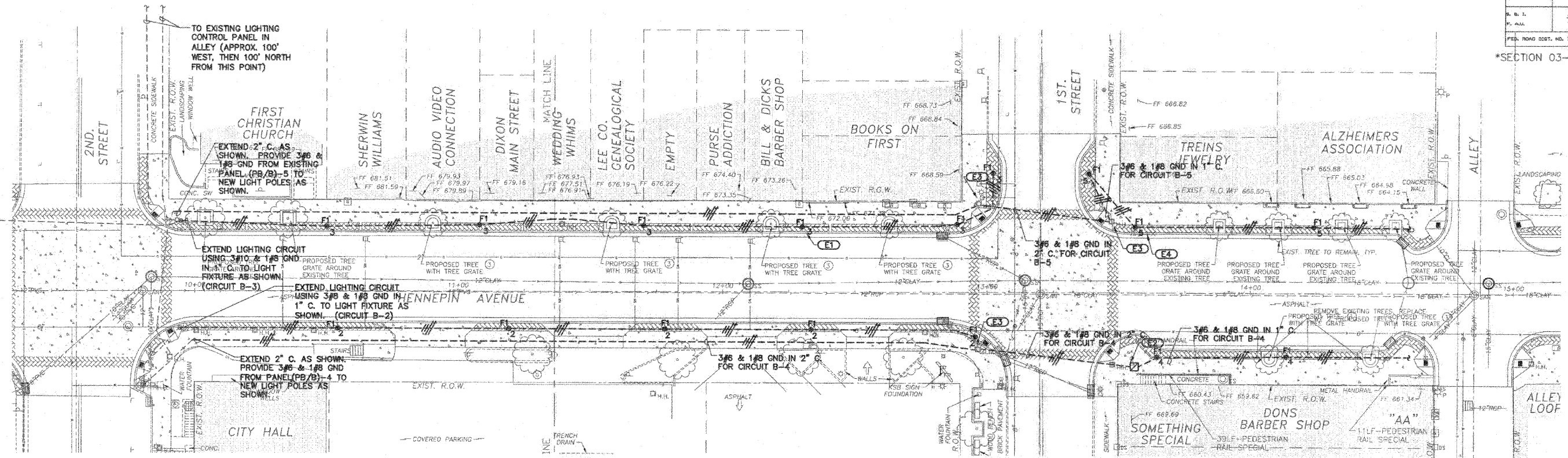


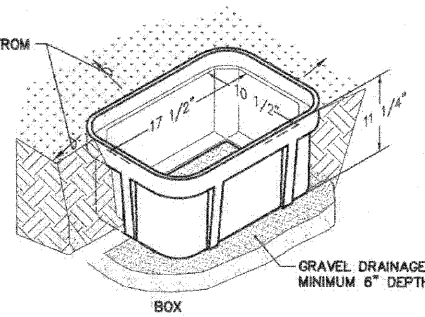
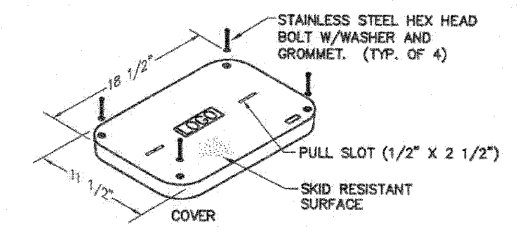
|                       |          |                   |              |           |
|-----------------------|----------|-------------------|--------------|-----------|
| ROUTE NO.             | SECTION  | COUNTY            | TOTAL SHEETS | SHEET NO. |
| R. B. L.              | 7        | LEE               | 35           | 28        |
| FED. ROAD DIST. NO. 7 | ILLINOIS | FED. AID PROJECT- |              |           |

\*SECTION 03-00160-00-PV Contract #85503



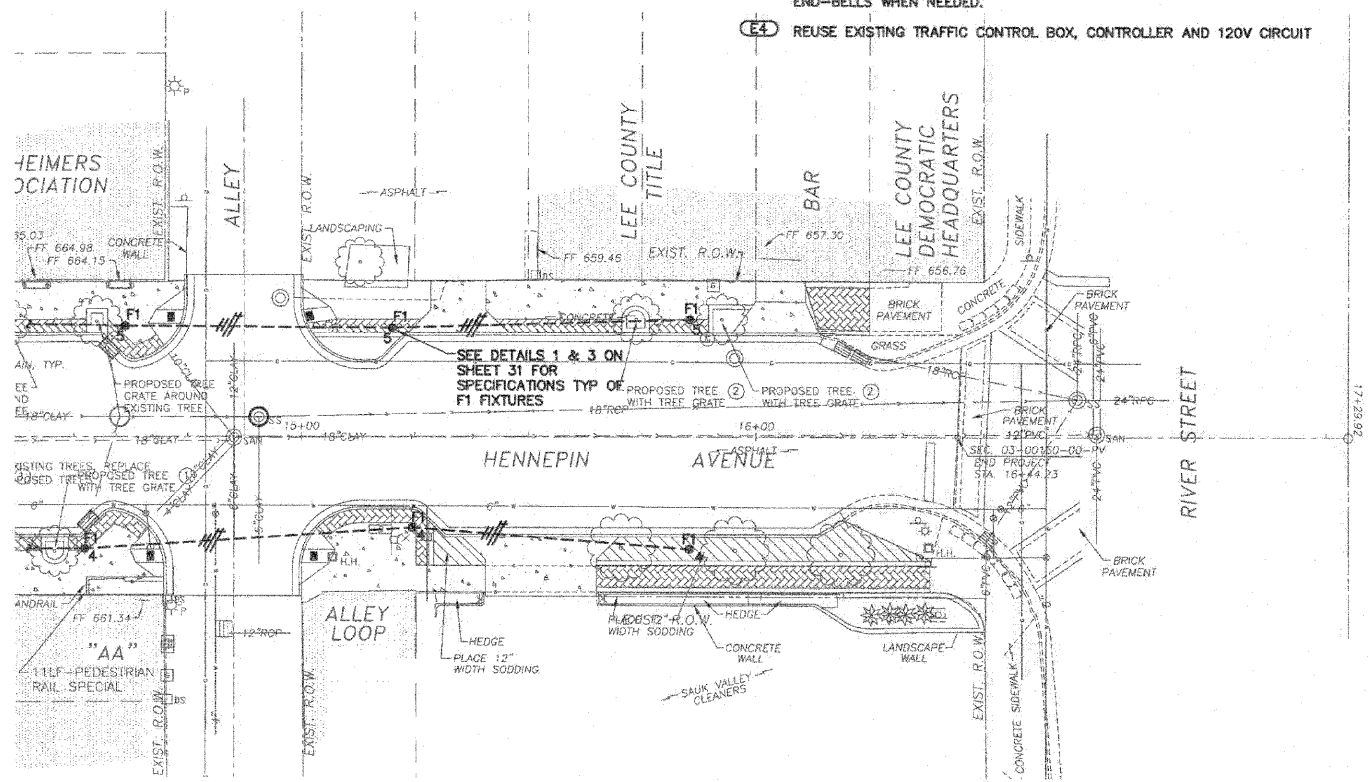
**ELECTRICAL SITE PLAN 1**  
SCALE: 1"=20'-0"

- KEYNOTES:**
- (E1) FIXTURE SUBSCRIPT REPRESENTS CIRCUIT NUMBER (TYP.)
  - (E2) NEW COMPOSITE POLYMER HANDHOLE: CORE DRILL FOR NEW CONDUIT RUNS, PROVIDE END-BELLS WHEN NEEDED. SEE 3/28 AND MATERIAL SCHEDULE FOR SPECS.
  - (E3) EXISTING HANDHOLE: CORE DRILL FOR NEW CONDUIT RUNS, PROVIDE END-BELLS WHEN NEEDED.
  - (E4) REUSE EXISTING TRAFFIC CONTROL BOX, CONTROLLER AND 120V CIRCUIT



**COMPOSITE POLYMER HANDHOLE DETAIL 3**  
NO SCALE

- NOTES:**
1. ALL DIMENSIONS ARE NOMINAL INSIDE CLEARANCES.
  2. DETAIL REPRESENTATIVE OF STRONGWELL HANDHOLE. SEE MATERIAL LIST FOR SPECIFICATIONS.



**ELECTRICAL SITE PLAN 2**  
SCALE: 1"=20'-0"

**KJWW ENGINEERING CONSULTANTS**  
Illinois Professional Design Firm No.  
Sheets 27-33 Only For Electrical Only  
DAVID A. HANSHAW  
REGISTERED PROFESSIONAL ENGINEER  
STATE OF ILLINOIS  
DAVID A. HANSHAW  
ROCK ISLAND, ILLINOIS  
ILLINOIS LICENSED PROFESSIONAL ENGINEER NO. 062.0502805  
EXPIRES: 11/30/2011

**ELECTRICAL SITE PLAN**  
HENNEPIN AVE.  
SECTION 03-00160-00-PV  
CITY OF DIXON

**KJWW ENGINEERING CONSULTANTS**  
Experience you can build on.  
Date: 09/24/2009  
Job: 2090205  
28