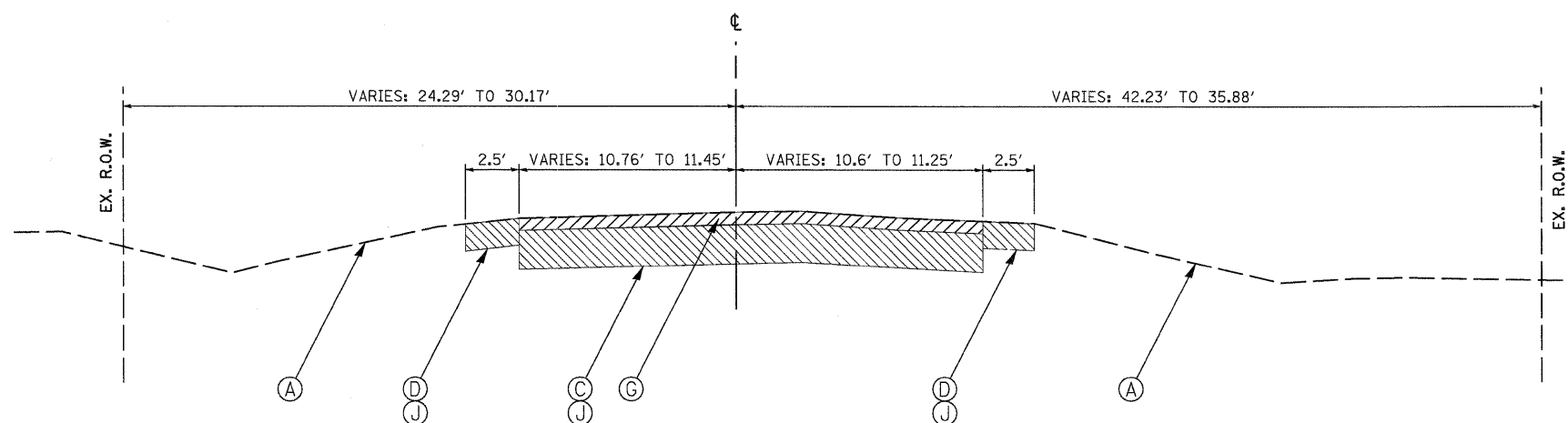
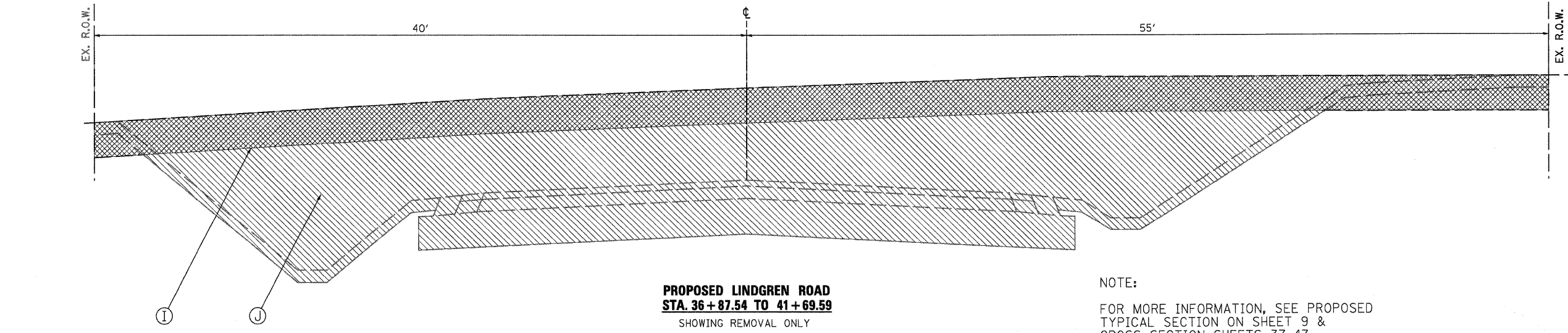


**EXISTING LINDGREN ROAD
STA. 24 + 23.68 TO STA. 30 + 86.75**



**EXISTING LINDGREN ROAD
STA. 30 + 86.75 TO STA. 32 + 00.00**



**PROPOSED LINDGREN ROAD
STA. 36 + 87.54 TO 41 + 69.59
SHOWING REMOVAL ONLY**

LEGEND, EXISTING

- (A) EXISTING GROUND LINE
- (B) EXISTING HOT-MIX ASPHALT - SEE TABLE FOR THICKNESS
- (C) EXISTING AGGREGATE BASE COURSE - SEE TABLE FOR THICKNESS
- (D) EXISTING AGGREGATE SHOULDER
- (E) EXISTING TYPE B6.12 CURB AND GUTTER
- (F) FULL DEPTH HMA PAVEMENT STRUCTURE - TO BE REMOVED (44000100)
- (G) PAVEMENT REMOVAL (SURFACE COURSE), 1 1/2" (44004500)
- (H) AGGREGATE SHOULDER - TO BE REMOVED (INCLUDED IN EARTH EXCAVATION - 20200100)
- (I) TOPSOIL STRIPPING (REMOVAL AND DISPOSAL OF UNSUITABLE MATERIAL - 20201200)
- (J) EARTH EXCAVATION - (20200100)
- (K) SAW CUTTING (FULL DEPTH) - INCIDENTAL TO APPLICABLE REMOVAL ITEMS

APPROXIMATE EXISTING TOPSOIL DEPTHS

ROADWAY	STATION LIMITS	TOPSOIL
LINDGREN	36+00 TO 37+75	22"
LINDGREN	37+75 TO 40+25	4"
LINDGREN	40+25 TO 42+00	24"
NATIONAL	1+00 TO 4+25	4"
NATIONAL	4+25 TO 4+50	24"
PLANK	294+00 TO 299+75	4"
PLANK	299+75 TO 301+25	22"
PLANK	301+25 TO 302+00	6"

APPROXIMATE EXISTING PAVEMENT DEPTHS

ROADWAY	STATION LIMITS	HOT-MIX ASPHALT	AGGREGATE BASE
LINDGREN	25+00 TO 32+00	1.4"	10"
PLANK	294+00 TO 300+00	8.9"	14"
PLANK	300+00 TO 304+00	11"	12"
NORTH GROVE	34+00 TO 35+50	9.8"	8"
NATIONAL	1+00 TO 4+50	6"	12"

NOTE:
FOR MORE INFORMATION, SEE PROPOSED
TYPICAL SECTION ON SHEET 9 &
CROSS SECTION SHEETS 37-47

FILE NAME = P:\CIBBEL - WEST - Projects\22009\WP - 0010 Lindgren_Road\Drawings\TYPICAL_02.dgn

WILLS BURKE KELSEY ASSOCIATES LTD.
110 West Main Street, Suite 201
St. Charles, Illinois 60174
(630) 443-7755

USER NAME = #USER#	DESIGNED - KMA	REVISD -
PLOT SCALE = N.T.S.	DRAWN - NDP	REVISD -
PLOT DATE = 10/27/2009	CHECKED - SBP	REVISD -
	DATE - 10/1/09	REVISD -

**STATE OF ILLINOIS
DEPARTMENT OF TRANSPORTATION**

PROPOSED TYPICAL SECTIONS	
SCALE: N.T.S.	SHEET NO. 7 OF 54 SHEETS
STA.	TO STA.

F.A.U. RTE. 5369	SECTION 09-00068-00-FP	COUNTY DEKALB	TOTAL SHEETS 54	SHEET NO. 7
FED. ROAD DIST. NO. 3 [ILLINOIS] FED. AID PROJECT			CONTRACT NO. 87406	