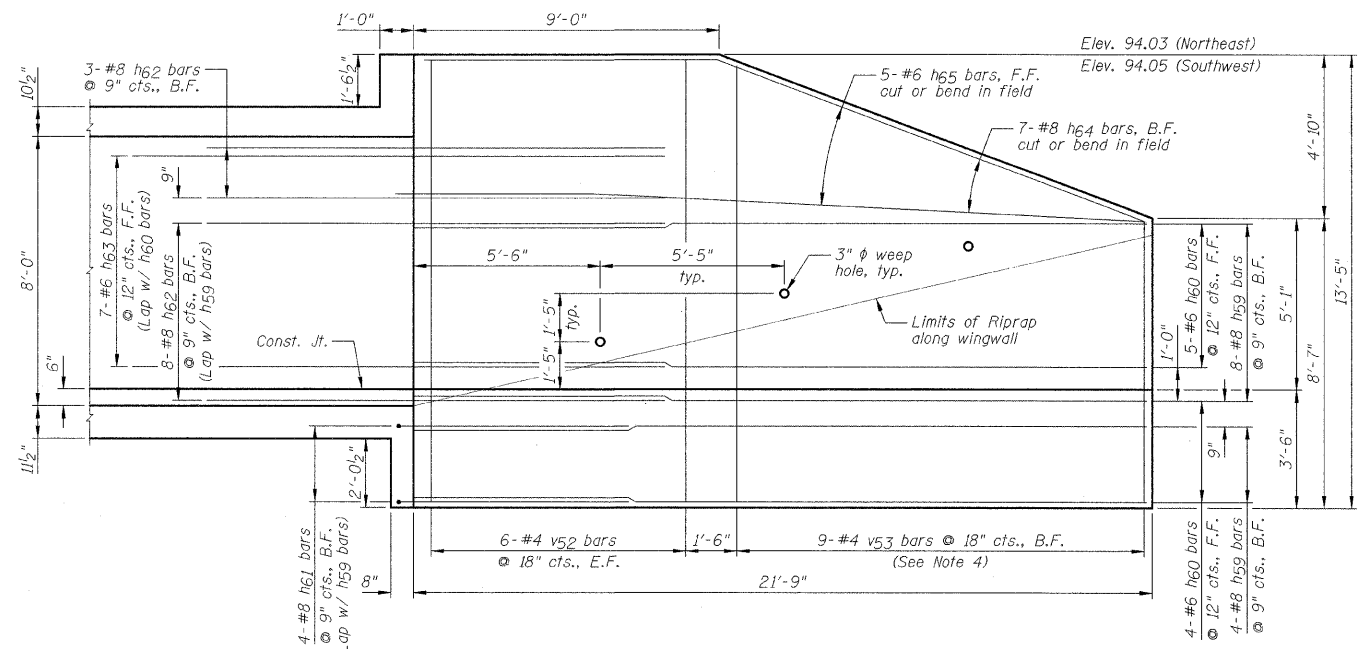
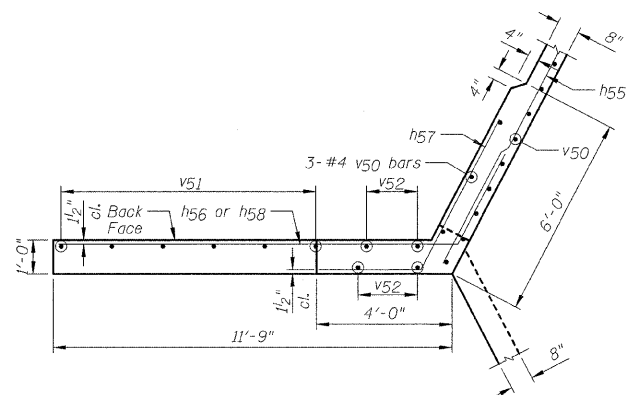


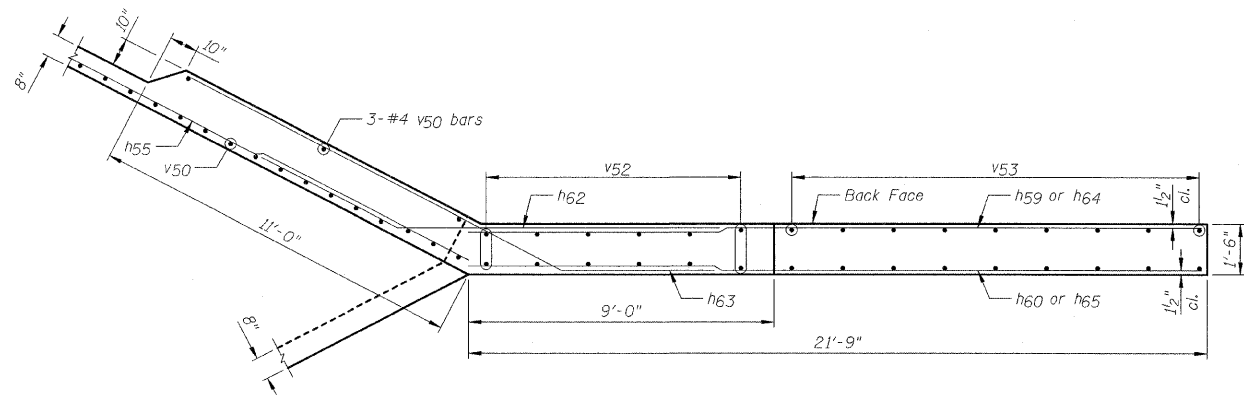
NORTHWEST AND SOUTHEAST WINGWALL ELEVATION



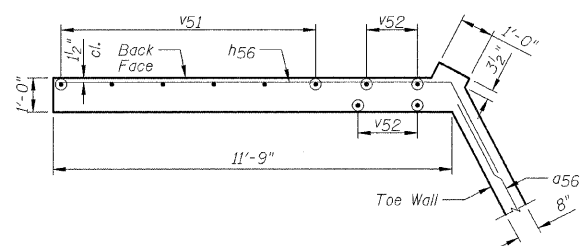
NORTHEAST AND SOUTHWEST WINGWALL ELEVATION



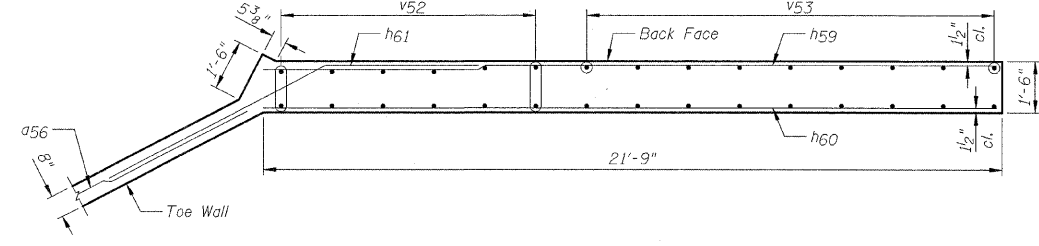
NORTHWEST AND SOUTHEAST WINGWALL UPPER PLAN



NORTHEAST AND SOUTHWEST WINGWALL UPPER PLAN



NORTHWEST AND SOUTHEAST WINGWALL LOWER PLAN



NORTHEAST AND SOUTHWEST WINGWALL LOWER PLAN

NOTES:

- 1.) For Bill of Material, see Sheet B2.
- 2.) For bar lap length, see the General Notes on Sheet B2.
- 3.) Order v51 bars full length. Cut according to the Bar Cutting Diagram on Sheet B2. Use remainder of v51 bars in opposite wingwall.
- 4.) Order v53 bars full length. Cut according to the Bar Cutting Diagram on Sheet B2. Use remainder of v53 bars in front face of the wingwall.

DESIGNED - JML	REVISED -
DRAWN - DJM	REVISED -
CHECKED - MSW	REVISED -
DATE - 10/21/09	REVISED -

LIVINGSTON COUNTY DEPARTMENT OF HIGHWAYS

WINGWALL DETAILS

SCALE: SHEET NO. B5 OF 8 SHEETS STA. TO STA.

WESTON ROAD (C.H. 10) OVER HICKORY CREEK
SECTION 09-00120-03-BR
LIVINGSTON COUNTY
STATION 115 + 00.00

F.A.S.	SECTION	COUNTY	TOTAL SHEETS	SHEET NO.
349	09-00120-03-BR	LIVINGSTON	34	27
S.N. 053-5015		CONTRACT NO. 87412		
FED. ROAD DIST. NO.		ILLINOIS FED. AID PROJECT		