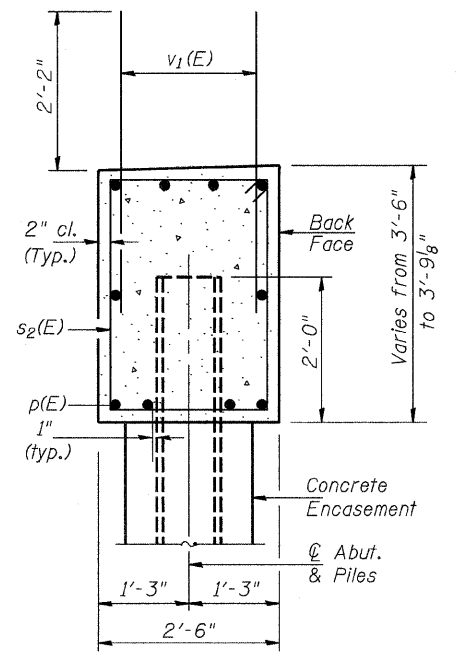
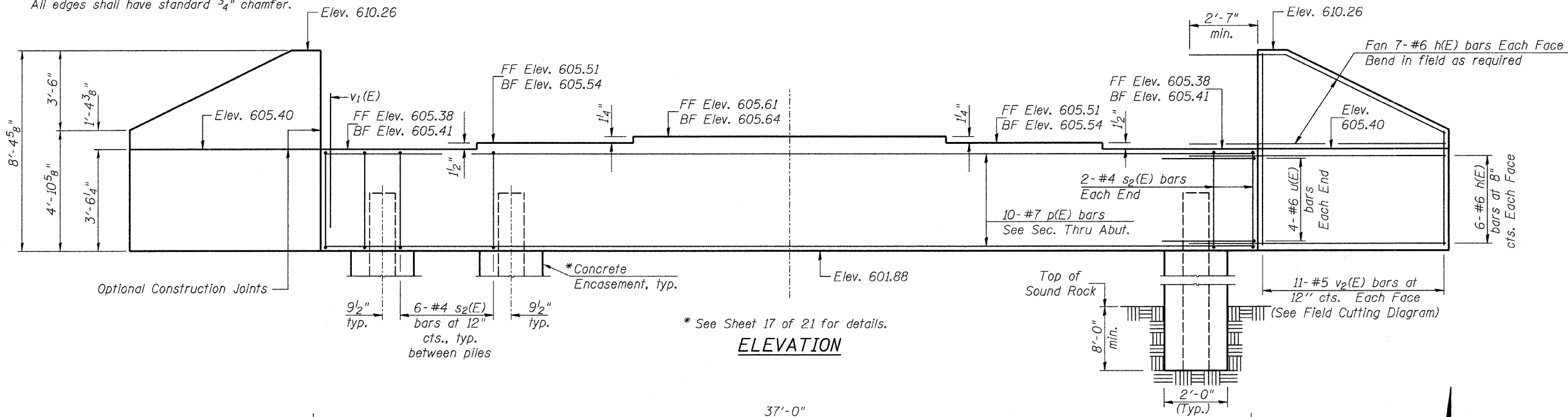
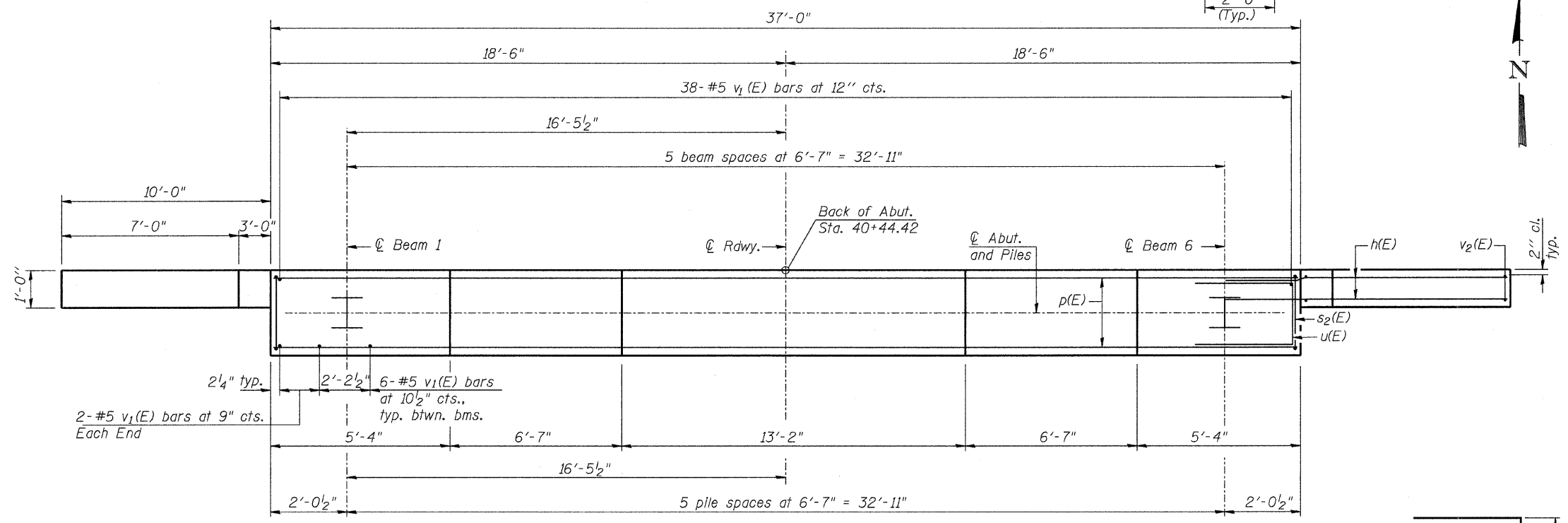


Notes:
 Pour steps monolithically with cap.
 All edges shall have standard 3/4" chamfer.



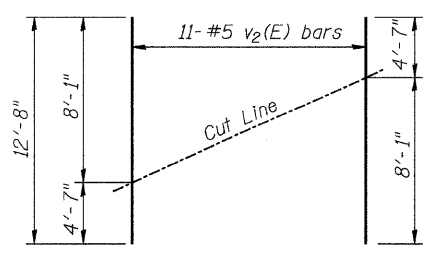
ELEVATION
 * See Sheet 17 of 21 for details.

SEC. THRU ABUT.

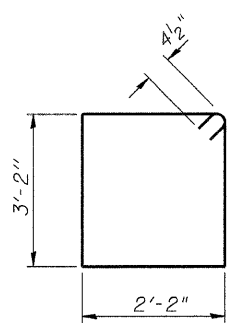


PLAN

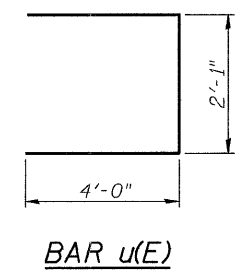
PILE DATA
 Type: HP12x63
 Nominal Required Bearing: Set in Rock (497k)
 Factored Resistance Available: (249k)
 Est. Length: 24'
 No. Required: 6



FIELD CUTTING DIAGRAM
 Order v2(E) full length. Cut as shown and use remainder of bars in opposite face.



BAR s2(E)



BAR u(E)

**BILL OF MATERIAL
 NORTH ABUTMENT**

Bar	No.	Size	Length	Shape
h(E)	52	#6	12'-6"	—
p(E)	10	#7	36'-9"	—
s2(E)	34	#4	11'-5"	□
u(E)	8	#6	10'-1"	□
v1(E)	72	#5	4'-4"	—
v2(E)	22	#5	12'-8"	—
Structure Excavation		Cu. Yd.	125	
Concrete Structures		Cu. Yd.	17.8	
① Reinforcement Bars, Epoxy Coated		Pound	2,730	
Furnishing Steel Piles HP12x63		Foot	144	
① Concrete Encasement		Cu. Yd.	9.1	
① Setting Piles in Rock		Each	6	

① See Special Provisions
 For details of Piles and Concrete Encasement, see sheet 17 of 21.

NORTH ABUTMENT

SHEET NO. 15 21 SHEETS	ROUTE NO.	SECTION	COUNTY	TOTAL SHEETS	SHEET NO.
	CH 29	10-00649-00-BR	LASALLE	43	22
	S.N. 050-3593		CONTRACT NO. 87430		
FED. ROAD DIST. NO. 7 ILLINOIS		FED. AID PROJECT BRS-0099(043)			