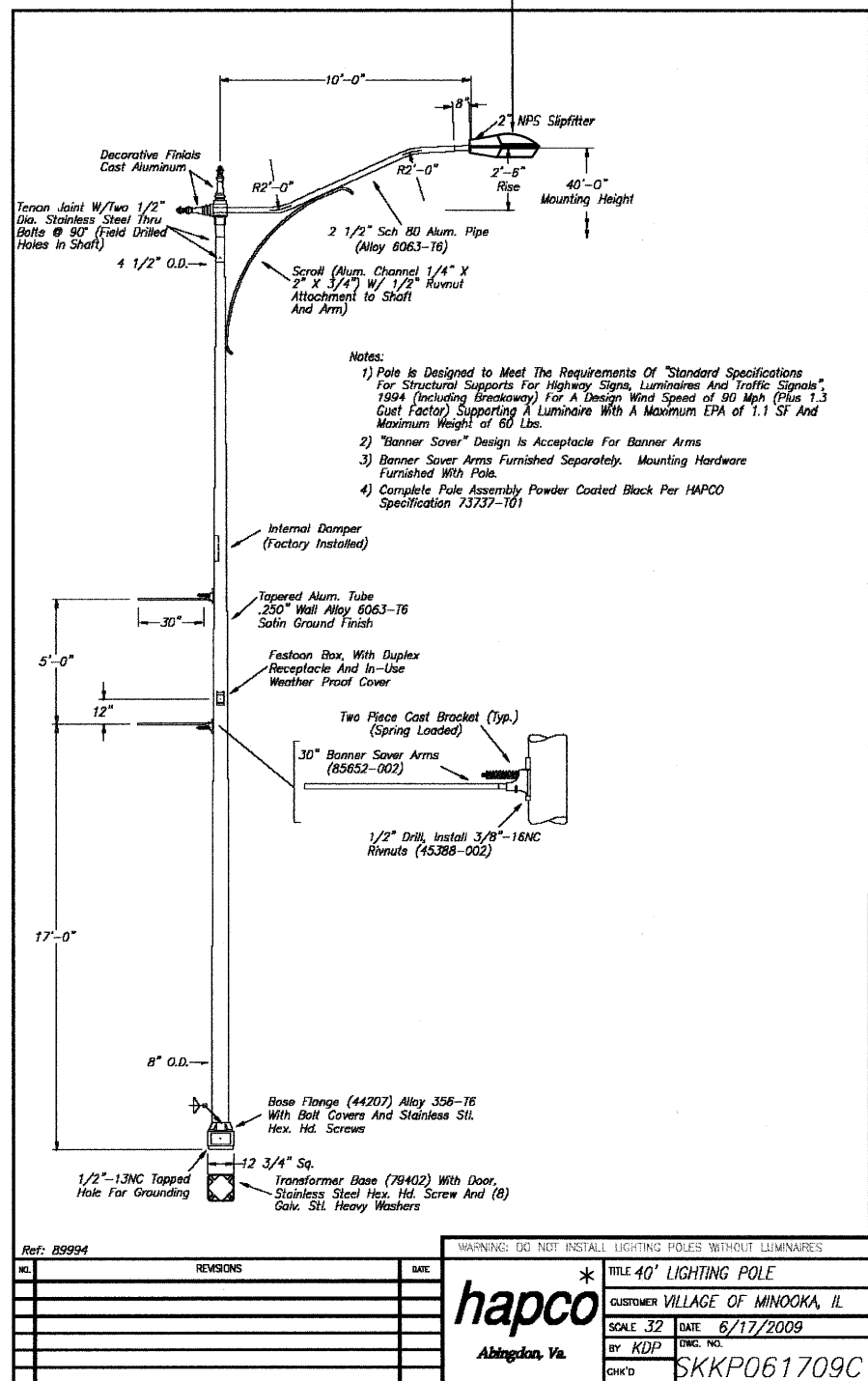


LUMINAIRE:
 250 WATT HIGH PRESSURE SODIUM LAMP
 240 VOLT BALLAST
 I.E.S. TYPE: MC III LIGHT DISTRIBUTION,
 FULL CUTOFF
 LENS TYPE: FLAT
 INITIAL LAMP LUMENS: 28,000
 LAMP LIFE: 24,000 HOURS

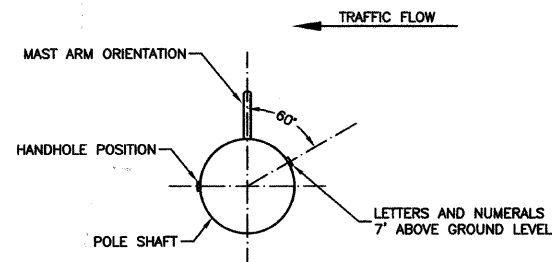
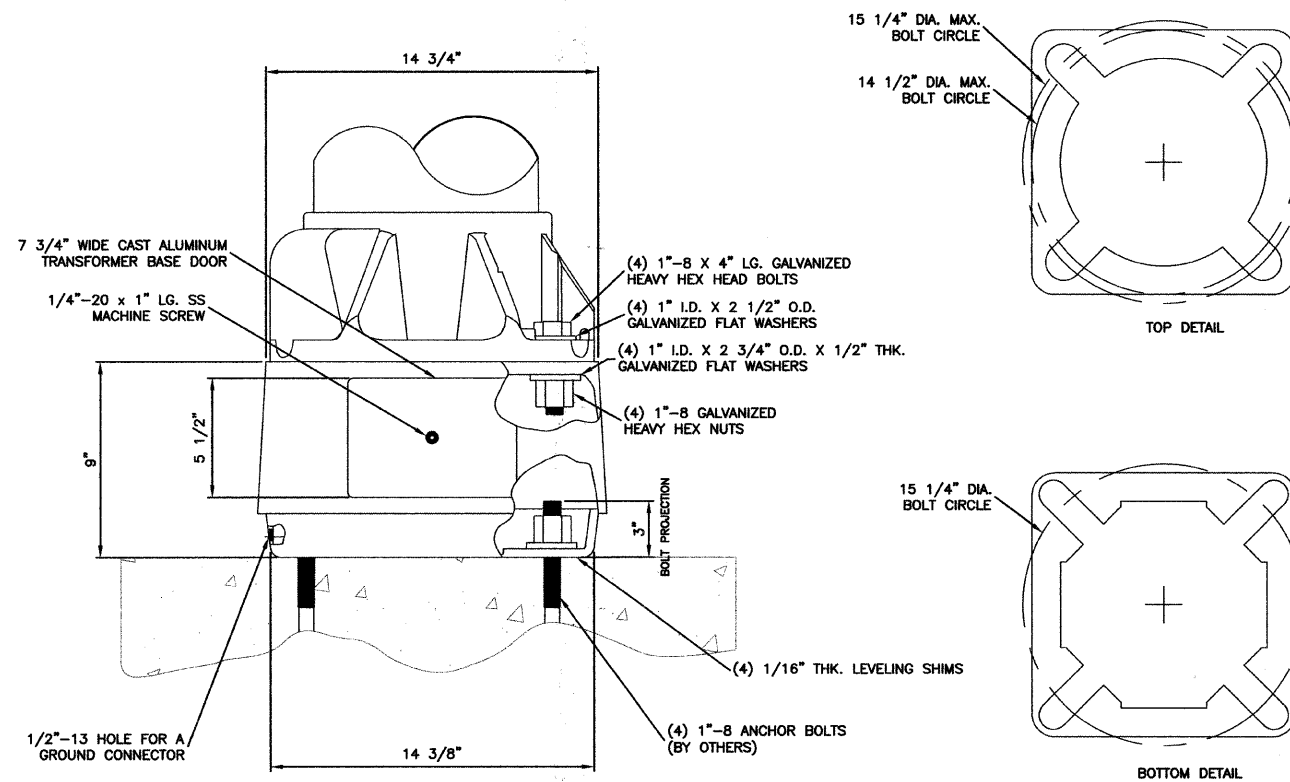
IMPORTANT NOTE:
 TRANSFORMER BASE AND LIGHTPOLE
 TO BE LEVELED AS ONE UNIT. USING
 LEVELING SHIMS IF REQUIRED.

DATE	
BY	
REVISIONS	
PLANNED	
CHECKED	
NOTED	
NO.	

DATE	
BY	
REVISIONS	
PLANNED	
CHECKED	
NOTED	
NO.	



TYPICAL POLE INSTALLATION



FILE NAME = 06330-DLS-01 - P02

USER NAME =	DESIGNED -- DWS	REVISED --
PLOT SCALE = N/A	CHECKED -- PAP	REVISED --
PLOT DATE = 10-21-09	DRAWN -- MJD	REVISED --
	CHECKED -- PAP	REVISED --

STATE OF ILLINOIS
 DEPARTMENT OF TRANSPORTATION

RIDGE ROAD & McEVILLY ROAD
 STREET LIGHTING
 DETAILS

SCALE: N/A SHEET NO. 7 OF 11 SHEETS STA. N/A TO STA. N/A

F.A.U. RTE.	SECTION	COUNTY	TOTAL SHEETS	SHEET NO.
0393	09-00054-00-LT	GRUNDY	11	7
CONTRACT NO. 87438				
FED. ROAD DIST. NO. 3 ILLINOIS FED. AID PROJECT ARA-003 (341)				