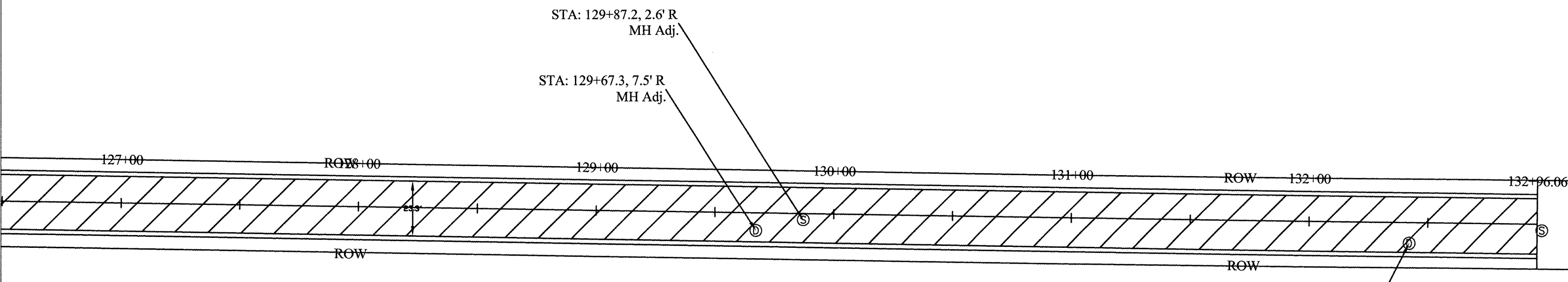
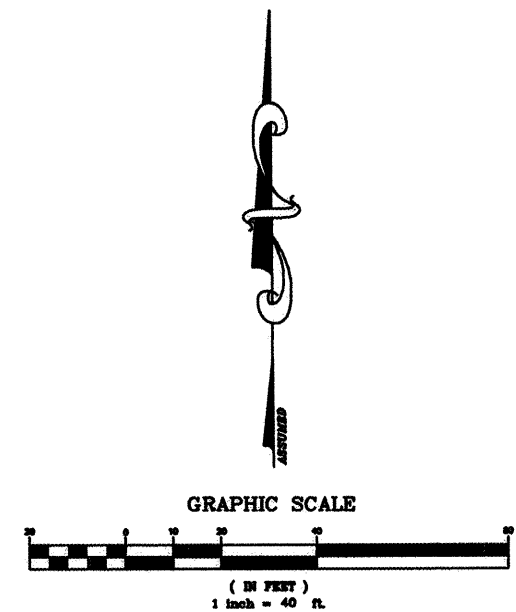


STA. 126+50

MATCH LINE



EDWARDS AVENUE (37.5' ROW)

Drawn by: MJF	Number:	Revisions	
		Date	By
Checked by:	Date:	8/4/09	MLF

CITY OF LA SALLE

ARRA Streets 2009  
City of La Salle, IL

Plan View

Scale: 1"= 40'	Sheet 15 of 15
File: 090007900RS	