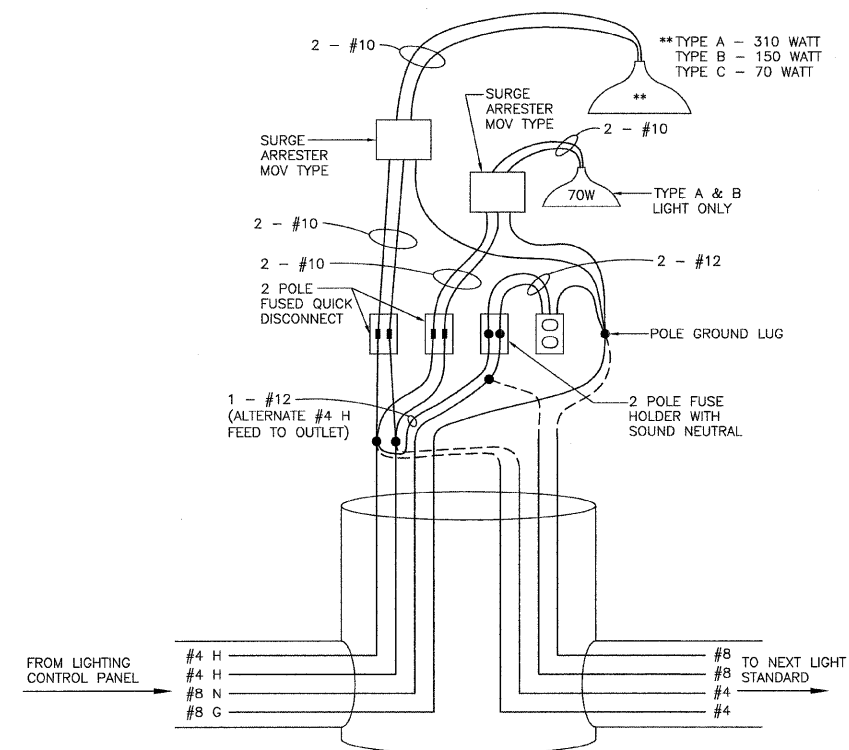
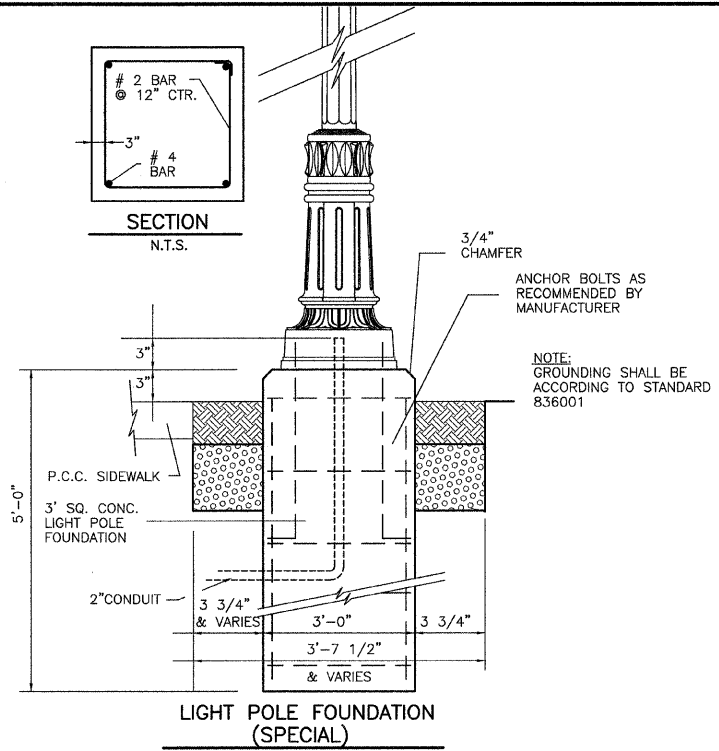


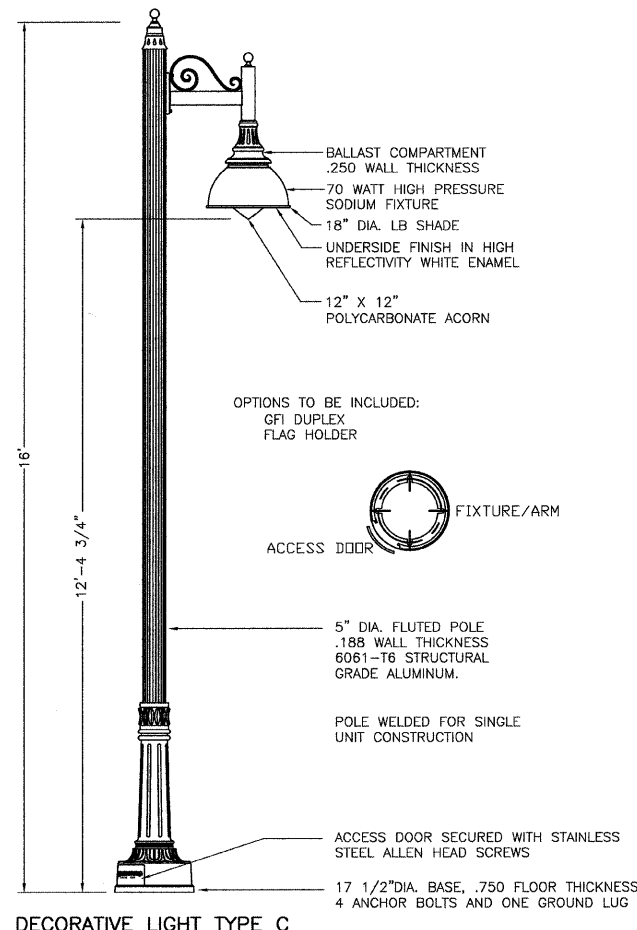
EXISTING TYPICAL LIGHTING CIRCUIT



PROPOSED TYPICAL LIGHTING CIRCUIT



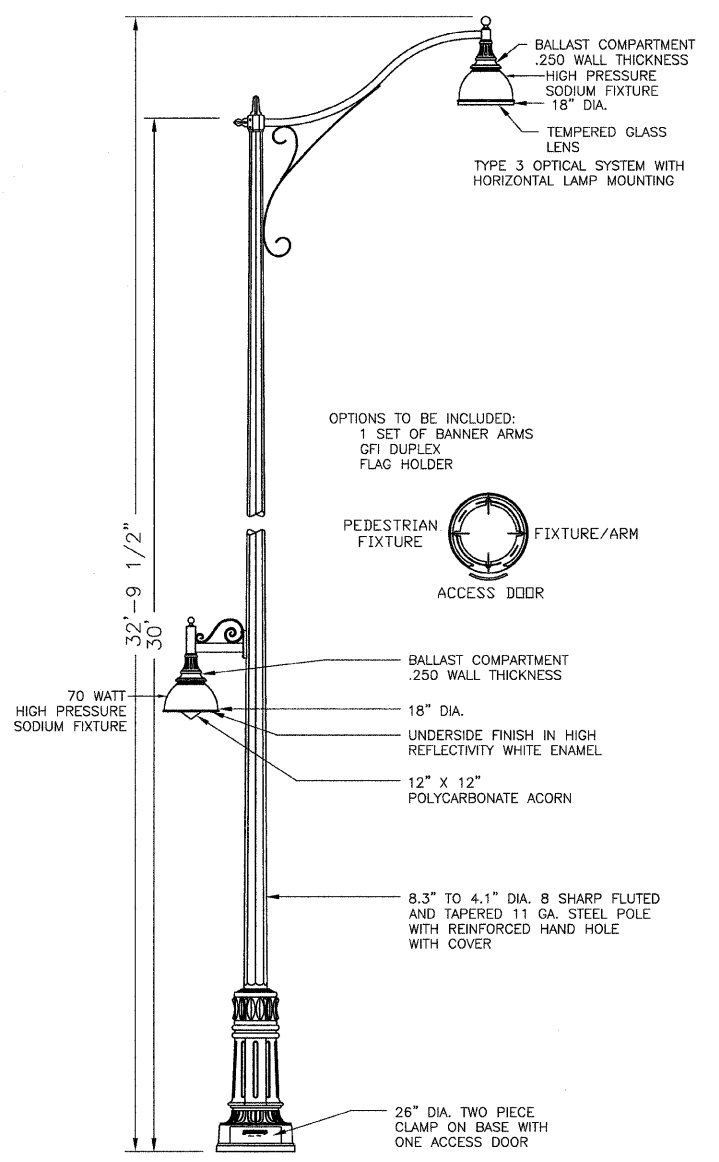
LIGHT POLE FOUNDATION (SPECIAL)



DECORATIVE LIGHT TYPE C

POLE LOADING STATEMENT:

UNITS SHALL BE MANUFACTURED IN ACCORDANCE WITH THE 2001 AASHTO STANDARD SPECIFICATION FOR STRUCTURAL SUPPORTS FOR HIGHWAY SIGNS, LUMINAIRES, AND TRAFFIC SIGNALS. DESIGN WIND VELOCITY SHALL BE 90 MPH WITH A MINIMUM DESIGN LIFE OF 50 YEARS. IN ADDITION TO THE AASHTO CRITERIA, THE POLES SHALL BE DESIGNED FOR THE WORST CASE LOADING CONDITION SET FORTH IN IDOT SPECIFICATION 1069.01(q)(1) FOR A DESIGN LUMINAIRE HAVING AN EPA OF 1.6 SQ. FT. AND A MAXIMUM WEIGHT OF 75 LBS.



DECORATIVE LIGHT TYPE A (310 WATT)  
DECORATIVE LIGHT TYPE B (150 WATT)

DRAWN BY: RGP/JMT CHECKED BY: MWP/DJD	0978-00 CAD/DWG: DETAILS DATE: 09-24-09	<table border="1"> <tr> <th colspan="2">REVISIONS</th> </tr> <tr> <th>DATE</th> <th>BY</th> </tr> <tr> <td> </td> <td> </td> </tr> </table>	REVISIONS		DATE	BY			<b>CHAMLIN ASSOCIATES</b> PERU MORRIS ILLINOIS	<b>VILLAGE OF DIAMOND</b> <b>DIVISION STREET LIGHTING IMPROVEMENTS - 2010</b>	<b>SUMMARY OF QUANTITIES AND DETAILS</b>	SCALE: AS NOTED FILE NO.: 6978-00	SHEET 3 OF 12
REVISIONS													
DATE	BY												