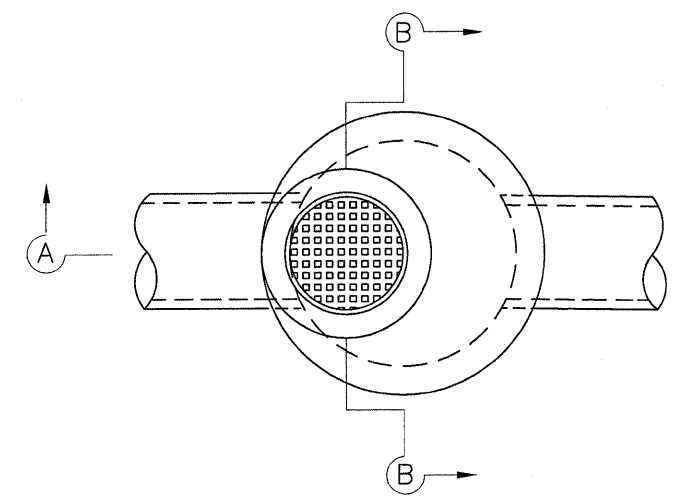


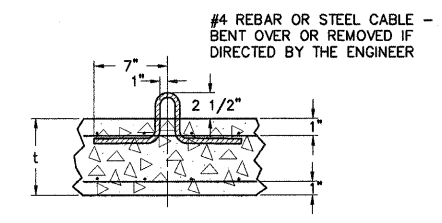
SECTION A-A

SECTION B-B



PLAN

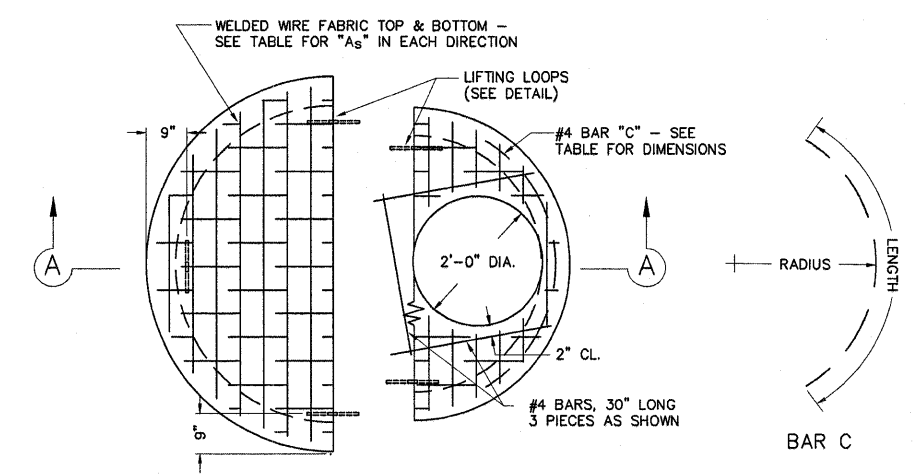
**CITY STANDARD MANHOLE**  
(4', 5' & 6" DIAMETERS)



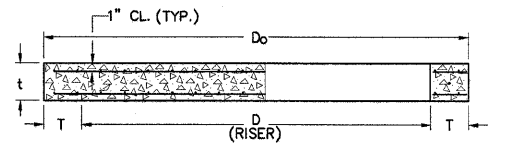
LIFTING LOOP DETAIL

DIAMETER OF MAIN SEWER	D	T	REINFORCEMENT		BAR "C"	
			W W F	A <sub>s</sub> DIRECTION	LENGTH	RADIUS
18" OR LESS	4'-0"	5"	4'-10"	6"	.70 SQ. IN./LIN. FT.	4'-6" 2'-2"
21" TO 42"	5'-0"	6"	6'-0"	8"	.70 SQ. IN./LIN. FT.	5'-0" 2'-8"
AS SPECIFIED	6'-0"	6"	7'-0"	8"	1.06 SQ. IN./LIN. FT.	6'-0" 3'-2"

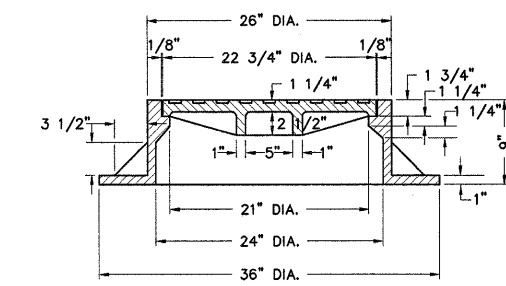
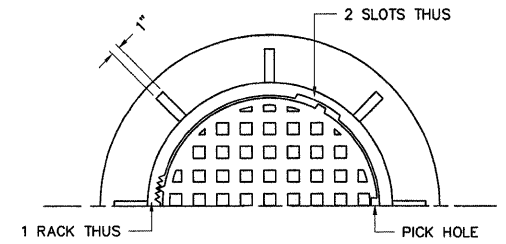
DIMENSION TABLE



**PRECAST REINFORCED CONCRETE FLAT SLAB TOP (4', 5' & 6' DIA.)**



SECTION A-A



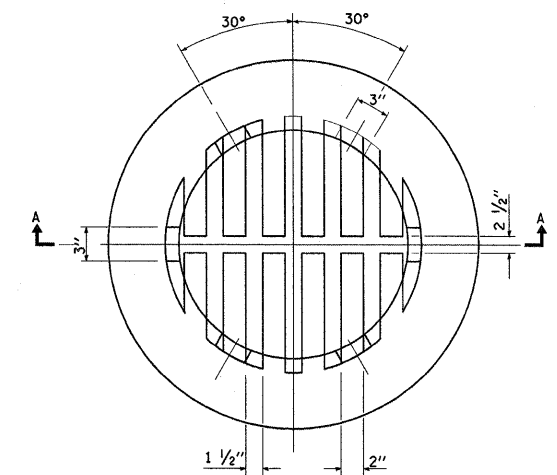
WEIGHT OF FRAME = 390 LBS.  
WEIGHT OF LID = 150 LBS.  
TOTAL WEIGHT = 540 LBS.

**MANHOLE FRAME & LID, TYPE 1**

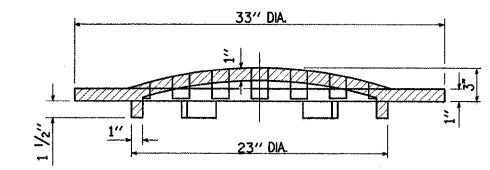
CITY STANDARD NO. 45  
NON-ROCKING TYPE  
NEENAH R-1015 OR EQUAL

**GENERAL NOTES**

ALL CONCRETE USED FOR CONSTRUCTION OF THE MANHOLE SHALL BE CLASS SI CONCRETE.  
THIS ITEM SHALL INCLUDE THE MANHOLE (4', 5' OR 6" DIAMETER), COMPLETE, IN PLACE AS INDICATED HEREIN, INCLUDING CASTINGS, PRECAST REINFORCED CONCRETE MANHOLE SECTIONS, REINFORCING BARS, STEPS, ADJUSTING COURSES, CLASS SI CONCRETE, TRENCH BACKFILL AND ALL EXCAVATION.  
ARTICLE 602.15 OF THE SPECIFICATIONS SHALL NOT APPLY, THIS ITEM SHALL BE PAID FOR AT THE CONTRACT UNIT PRICE FOR CITY STD. MANHOLE (4', 5' OR 6" DIA.), AS SPECIFIED, WHICH SHALL BE PAYMENT IN FULL FOR ALL LABOR, MATERIALS, TOOLS AND EQUIPMENT NECESSARY TO CONSTRUCT THIS ITEM AS INDICATED.



CAST GRATE



SECTION A-A

**GRATE TYPE 8**

FILE NAME = I:\09\Jobs\09L0027\NCADD\Road\Sheet\c-533det.dgn	USER NAME = Ander00846	DESIGNED - MPB	REVISED -
PLOT SCALE = 5.0000' / 1"	CHECKED - CAL	DRAWN - RLA	REVISED -
PLOT DATE = 10/16/2009	DATE - 10/16/2009		REVISED -

**STATE OF ILLINOIS**  
**DEPARTMENT OF TRANSPORTATION**

**DRAINAGE DETAILS**

SCALE: N.T.S. SHEET NO. OF SHEETS STA. TO STA.

F.A.U. RTE. 6647	SECTION 08-00302-00-PV	COUNTY PEORIA	TOTAL SHEETS 85	SHEET NO. 56
09-00047-01-PV		CONTRACT NO. 89526		
FED. ROAD DIST. NO. [ILLINOIS] FED. AID PROJECT ARA-M-5093(139)				