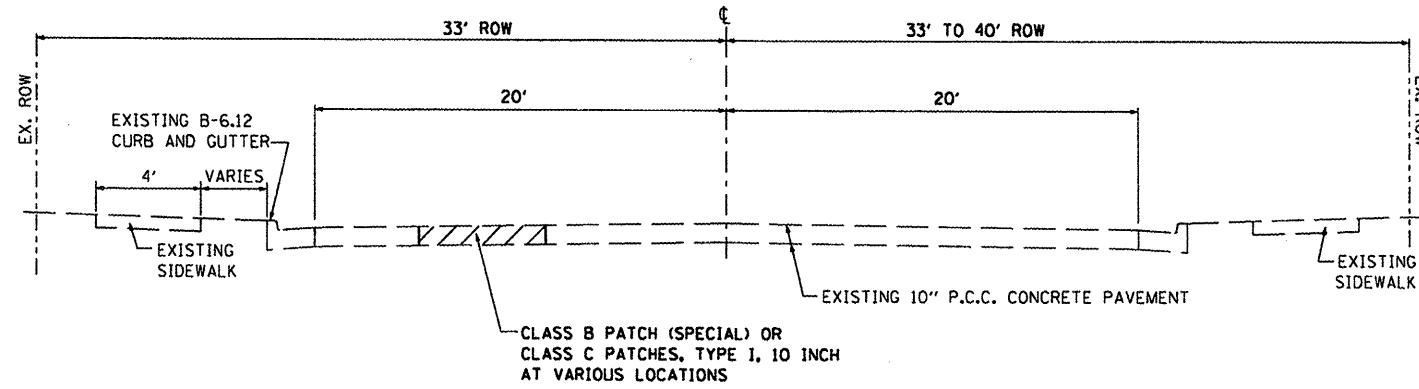
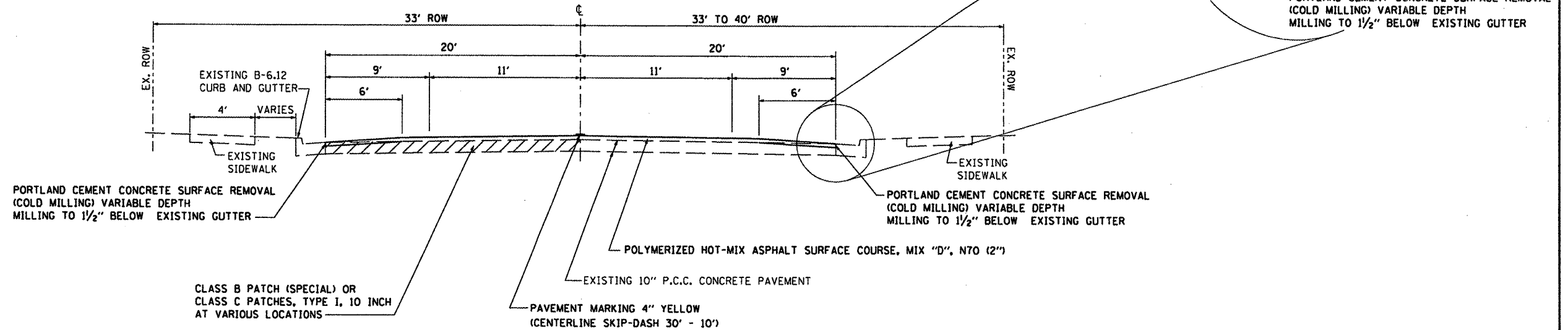


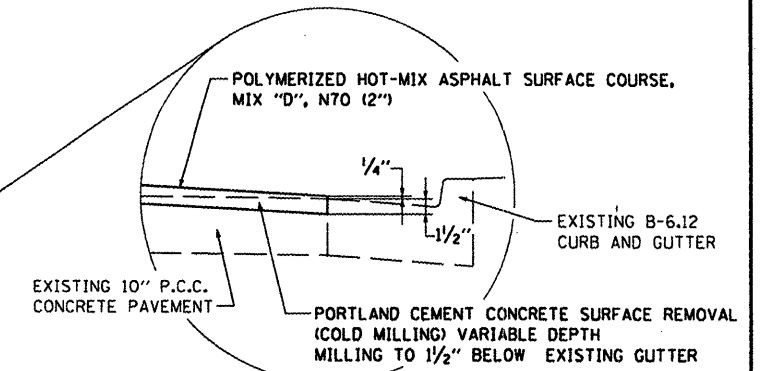
EXISTING SECTION TRUITT AVENUE
 4TH STREET TO BRADLEY AVENUE
 STA. 26+00 TO STA. 65+00



PROPOSED PATCHING SECTION TRUITT AVENUE
 BRADLEY AVENUE TO SANTA FE
 STA. 26+00 TO STA. STA. 46+70



PROPOSED PATCHING, MILLING, AND OVERLAY SECTION TRUITT AVENUE
 SANTA FE TO 4TH STREET
 STA. 46+70 TO STA. 65+00



FILE NAME = L:\CHIL0001\PLANS-XREFS\03-TYPICAL SECTIONS.DGN

USER NAME =	DESIGNED -	REVISED -
PLOT SCALE =	DRAWN -	REVISED -
PLOT DATE = 10-01-09	CHECKED -	REVISED -
	DATE -	REVISED -

**STATE OF ILLINOIS
 DEPARTMENT OF TRANSPORTATION**

**CITY OF CHILICOTHE - TRUITT AVENUE
 TYPICAL SECTIONS**

SCALE: NONE SHEET NO. OF SHEETS STA. TO STA.

P.A.U. RTE.	SECTION	COUNTY	TOTAL SHEETS	SHEET NO.
6548	09-00008-00-RS	PEORIA	12	3
CONTRACT NO. 89548				
ILLINOIS FED. AID PROJECT				