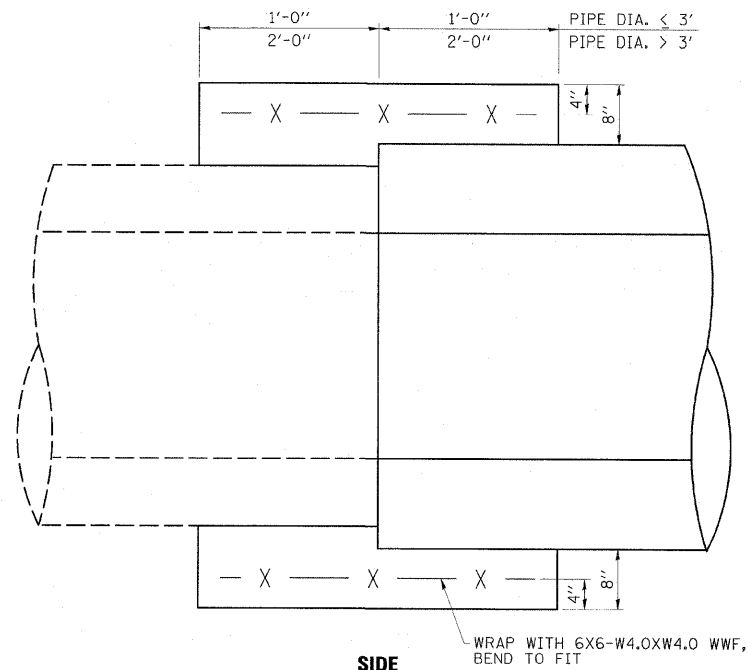


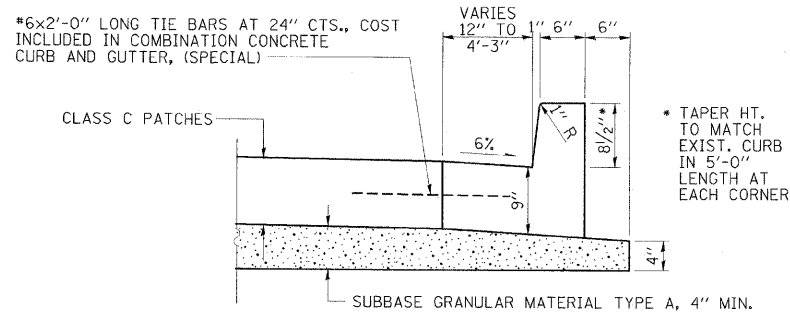
FRONT

NOTES

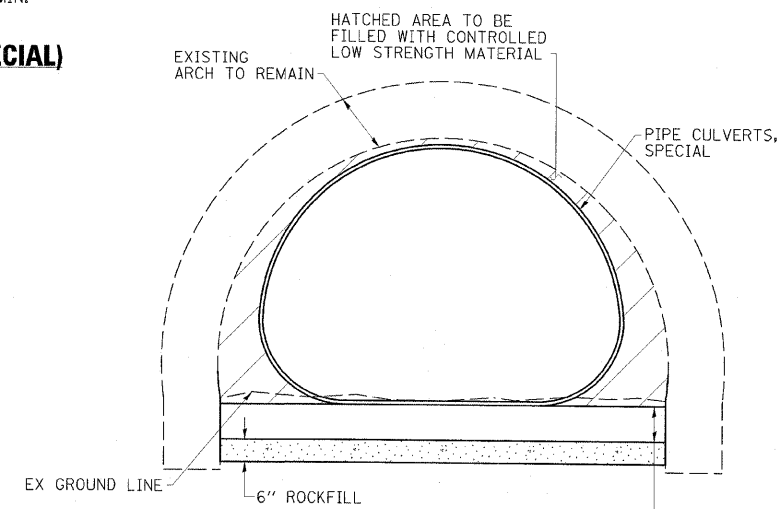
CONCRETE COLLARS SHALL BE CONSTRUCTED OF CLASS SI CONCRETE IN ACCORDANCE WITH SECTION 503 OF THE STANDARD SPECIFICATIONS. WELDED WIRE REINFORCEMENT SHALL CONFORM TO SECTION 1006.10 OF THE STANDARD SPECIFICATIONS. THE CONCRETE WILL BE PAID FOR AT THE CONTRACT UNIT PRICE PER CUBIC YARD FOR CONCRETE COLLAR. WELDED WIRE REINFORCEMENT WILL NOT BE PAID FOR SEPARATELY, BUT SHALL BE CONSIDERED INCLUDED IN THE COST OF CONCRETE COLLAR.



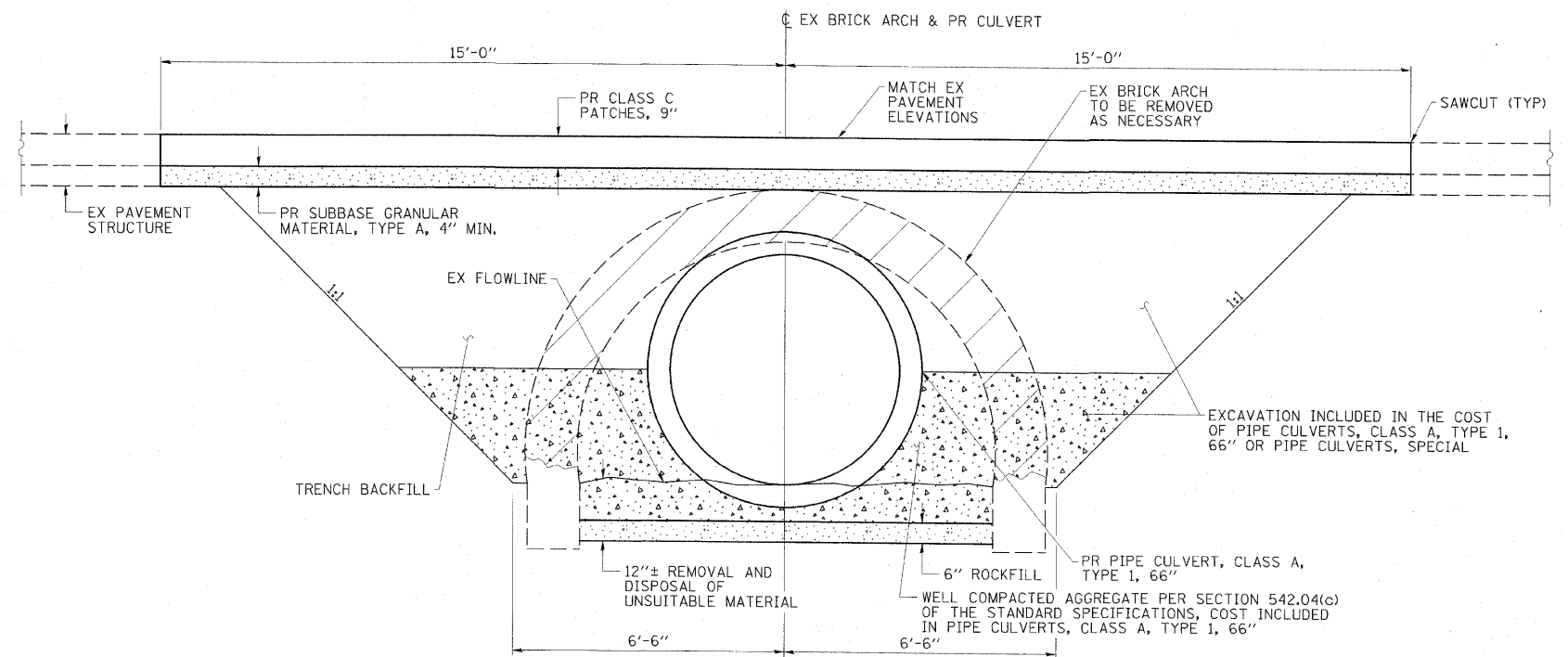
TYPICAL CONCRETE COLLAR DETAILS



COMBINATION CONCRETE CURB AND GUTTER (SPECIAL)



SECTION THRU PIPE CULVERTS, SPECIAL INSIDE EXISTING ARCH



SECTION THRU CONCRETE PIPE NEAR ROADWAY (AT RIGHT ANGLES TO CULVERT)

USER: HNS, 08/09/2009
 TIME: 11:12:41 AM
 FILE: 71934_S09_C01.dgn
 PLOT: 08/09/2009 7:11

ESCA
 CONSULTANTS, INC.

DESIGNED BY:	ELH	07/23/09	SCALE:	NO SCALE	NO.	DATE	REVISION	APVD
DRAWN BY:	HAS	07/23/09	DATE:	08/09/2009				
CHECKED BY:	ELH	07/23/09	JOB NO.	719.34				
APPROVED BY:	RDP	07/23/09						

BUCHANAN STREET STRUCTURE
 CITY OF MONTICELLO

DETAILS

DRAWING NUMBER

9

9 OF 10