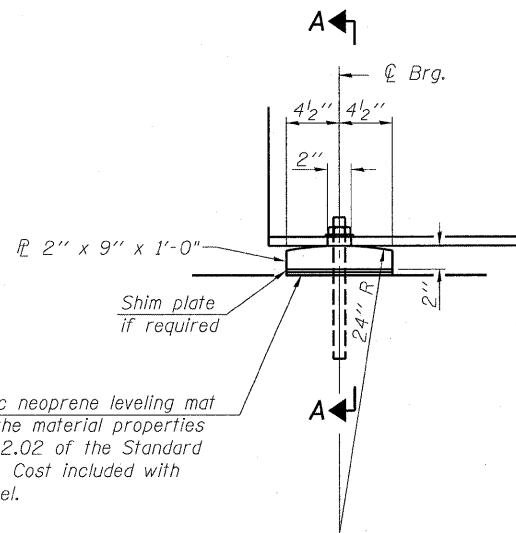


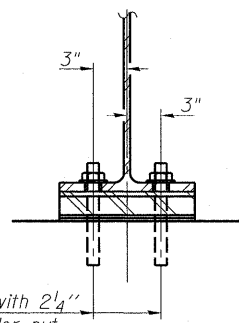
STATE OF ILLINOIS
DEPARTMENT OF TRANSPORTATION



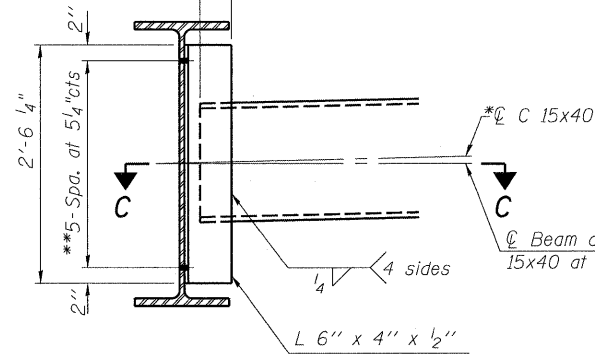
ELEVATION AT ABUTMENT

1/8" elastomeric neoprene leveling mat according to the material properties of Article 1052.02 of the Standard Specifications. Cost included with Structural Steel.

SECTION A-A

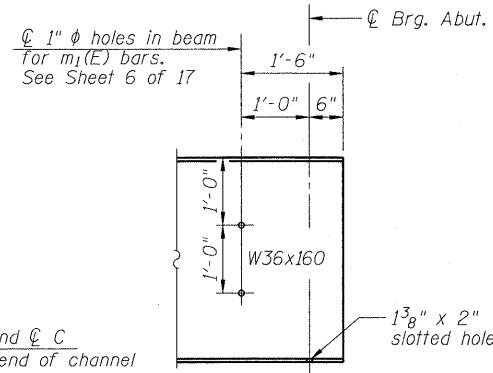


SECTION A-A



INTERIOR DIAPHRAGM D

Note:
20 Required
Two hardened washers required for each set of oversized holes.
*Alternate channel (C15x50) is permitted to facilitate material acquisition. Calculated weight of structural steel is based on the lighter section. The alternate, if utilized, shall be provided at no additional cost to the Department.
**3/4" φ HS bolts, 15/16" φ holes



TYP. END OF BEAM ELEVATION

INTERIOR GIRDER MOMENT TABLE		
		0.5 Span
I_s	(in ⁴)	9760
$I_c(n)$	(in ⁴)	23,693
$I_c(3n)$	(in ⁴)	18,329
S_s	(in ³)	542
$S_c(n)$	(in ³)	761
$S_c(3n)$	(in ³)	716
DC1	(k/')	0.855
MDC1	(k)	675.5
DC2	(k/')	0.020
MDC2	(k)	15.8
DW	(k/')	0.30
MDW	(k)	237.0
$M_L + IM$	(k)	1179.8
M_u (Strength I)	(k)	3284.3
$\phi_r M_n$	(k)	3847.6
f_s DC1	(ksi)	15.0
f_s DC2	(ksi)	0.26
f_s DW	(ksi)	4.0
f_s 1.3(I+IM)	(ksi)	24.2
f_s (Service II)	(ksi)	43.5
f_s (Total)(Strength I)	(ksi)	
V_r	(k)	27.2

* Compact sections
** Non-Compact and slender sections

INTERIOR GIRDER REACTION TABLE		
		Abut.
RDC1	(k)	34.0
RDC2	(k)	0.80
RDW	(k)	11.9
$R_L + IM$	(k)	85.3
R_{Total}	(k)	132.0

Notes:
All cross frames or diaphragms shall be installed as steel is erected and secured with erection pins and bolts except as otherwise noted. Individual cross frames or diaphragms at supports may be temporarily disconnected to install bearing anchor rods.
Load carrying components designated "NTR" shall conform to the Supplemental Requirements for Notch Toughness, Zone 2.

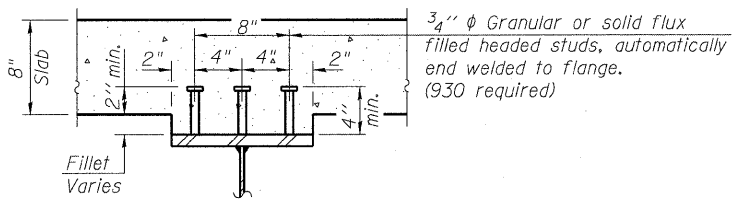
I_s, S_s : Non-composite moment of inertia and section modulus of the steel section used for computing f_s (Total-Strength I, and Service II) due to non-composite dead loads (in⁴ and in³).

$I_c(n), S_c(n)$: Composite moment of inertia and section modulus of the steel and deck based upon the modular ratio, "n", used for computing f_s (Total-Strength I, and Service II) due to short-term composite live loads (in⁴ and in³).

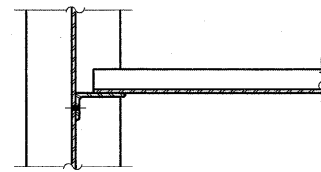
$I_c(3n), S_c(3n)$: Composite moment of inertia and section modulus of the steel and deck based upon 3 times the modular ratio, "3n", used for computing f_s (Total-Strength I, and Service II) due to long-term composite (superimposed) dead loads (in⁴ and in³).

Z: Plastic Section Modulus of the steel section in non-composite areas. Omit line in Moment Table if not used in design calculations (in³).

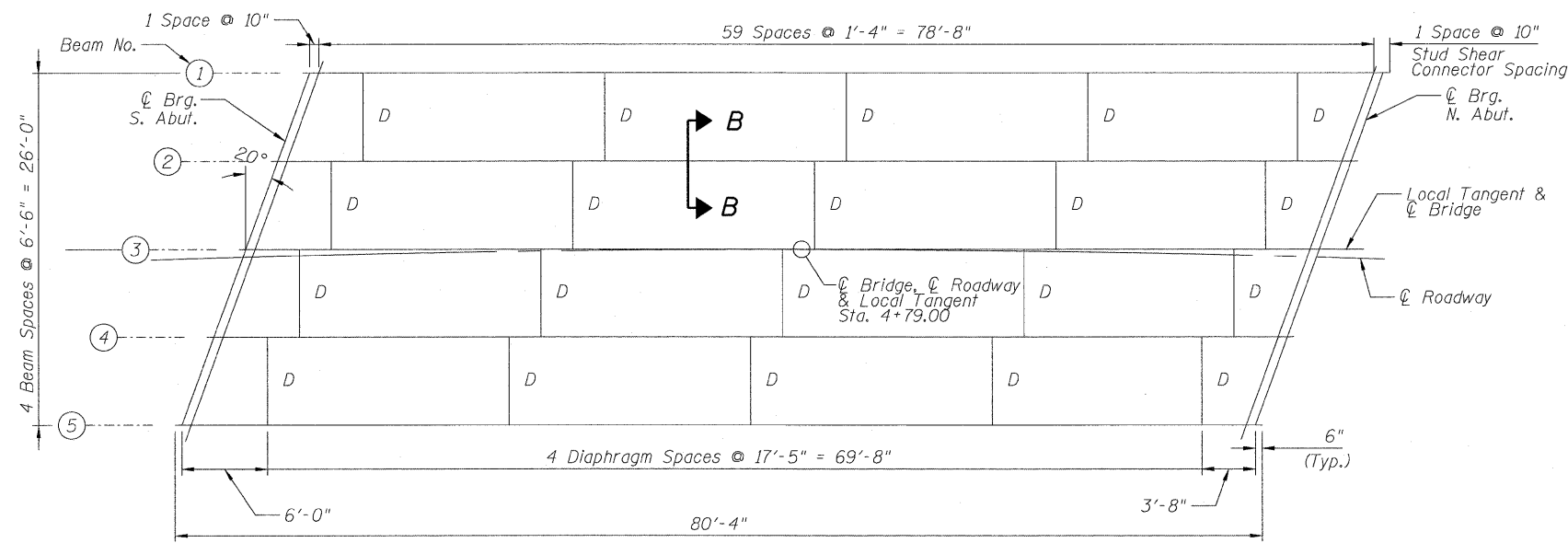
DC1: Un-factored non-composite dead load (kips/ft.).
MDC1: Un-factored moment due to non-composite dead load (kip-ft.).
DC2: Un-factored long-term composite (superimposed excluding future wearing surface) dead load (kips/ft.).
MDC2: Un-factored moment due to long-term composite (superimposed excluding future wearing surface) dead load (kip-ft.).
DW: Un-factored long-term composite (superimposed future wearing surface only) dead load (kips/ft.).
MDW: Un-factored moment due to long-term composite (superimposed future wearing surface only) dead load (kip-ft.).
 $M_L + IM$: Un-factored live load moment plus dynamic load allowance (impact) (kip-ft.).
 M_u (Strength I): Factored design moment (kip-ft.).
 $1.25 (M_{DC1} + M_{DC2}) + 1.5 M_{DW} + 1.75 M_L + IM$
 $\phi_r M_n$: Compact composite positive moment capacity computed according to Article 6.10.7.1 (kip-ft.).
 $\phi_r M_{nc}$: Compact non-composite negative moment capacity computed according to Article A6.1.1 (kip-ft.).
 f_s (Service II): Sum of stresses as computed from the moments below (ksi).
 $M_{DC1} + M_{DC2} + M_{DW} + 1.3 M_L + IM$
 f_s (Total)(Strength I): Sum of stresses as computed from the moments below on non-compact section (ksi).
 $1.25 (M_{DC1} + M_{DC2}) + 1.5 M_{DW} + 1.75 M_L + IM$
 V_r : Maximum factored shear range in composite portion of span computed according to Article 6.10.10.



SECTION B-B



SECTION C-C



FRAMING PLAN

(All Beams W36x160 "NTR" - M270 GR. 50)

GREENE & BRADFORD, INC.
OF SPRINGFIELD
CONSULTING ENGINEERS
300 CONVENT ROAD, SUITE 100
SPRINGFIELD, ILLINOIS 62761
PROFESSIONAL DESIGN FIRM NO. 041-00119
PROFESSIONAL & STRUCTURAL ENGINEERING CORPORATION
618-793-8844, 618-793-8227 FAX
www.greenebroford.com

DESIGNED	NIWINSKI
CHECKED	TRELLO
DRAWN	VERENSKI
CHECKED	TRELLO

G&B PROJECT: - PLOT DRIVER = V8.TDS700.PS.LOCAL.ID01.plt to fg
FILE NAME = J:\07258\CADD\CADsheets\SN 085-3055\0853055-07258-Sht-Framing.dgn
PLOT DATE = 9/18/2009 PLOT SCALE = 4x2.0000 '1' = 1" USER NAME = frankv

STRUCTURAL STEEL DETAILS
F.A.S. ROUTE 454
SECTION 04-00070-00-BR
SCHUYLER COUNTY
STATION 4+79.00
S.N. 085-3055

SHEET NO. 8	F.A.S. RTE.	SECTION	COUNTY	TOTAL SHEETS	SHEET NO.
	454	04-00070-00-BR	SCHUYLER	30	16
17 SHEETS	CONTRACT NO. 93499				
	FED. ROAD DIST. NO. ILLINOIS FED. AID PROJECT				