

STATE OF ILLINOIS
DEPARTMENT OF TRANSPORTATION

NOTES

Bar splicer assemblies shall be of an approved type and shall develop in tension at least 125 percent of the yield strength of the lapped reinforcement bars.
Splicer rods shall be of minimum 60 ksi yield strength, threaded or coiled full length.
All reinforcement bars shall be lapped and tied to the splicer rods or dowel bars.
Bar splicer assemblies shall be epoxy coated according to the requirements for reinforcement bars.
Other systems of similar design may be submitted to the Engineer for approval. Approval shall be based on certified test results from an approved testing laboratory that the proposed bar splicer assembly satisfies the following requirements:

- ① Minimum Capacity = $1.25 \times f_y \times A_t$
(Tension in kips)
 - ② Minimum *Pull-out Strength = $0.66 \times f_y \times A_t$
(Tension in kips)
- Where f_y = Yield strength of lapped reinforcement bars in ksi.
 A_t = Tensile stress area of lapped reinforcement bars.
* = 28 day concrete

BAR SPLICER ASSEMBLIES			
Bar Size to be Spliced	Splicer Rod or Dowel Bar Length	Strength Requirements	
		Min. Capacity kips - tension	Min. Pull-Out Strength kips - tension
#4	1'-8"	14.7	7.9
#5	2'-2"	23.0	12.3
#6	2'-7"	33.1	17.4
#7	3'-5"	45.1	23.8
#8	4'-6"	58.9	31.3
#9	5'-9"	75.0	39.6
#10	7'-3"	95.0	50.3
#11	9'-0"	117.4	61.8

The diameter of this part is equal or larger than the diameter of bar spliced.

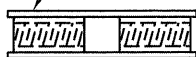
The diameter of this part is the same as the diameter of the bar spliced.

ROLLED THREAD DOWEL BAR

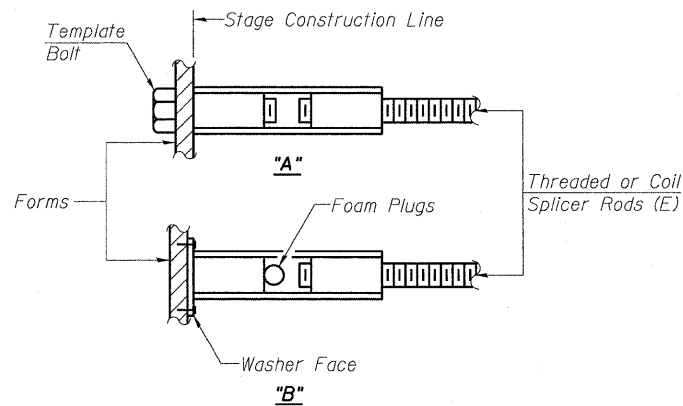


**** ONE PIECE**

Wire Connector



WELDED SECTIONS

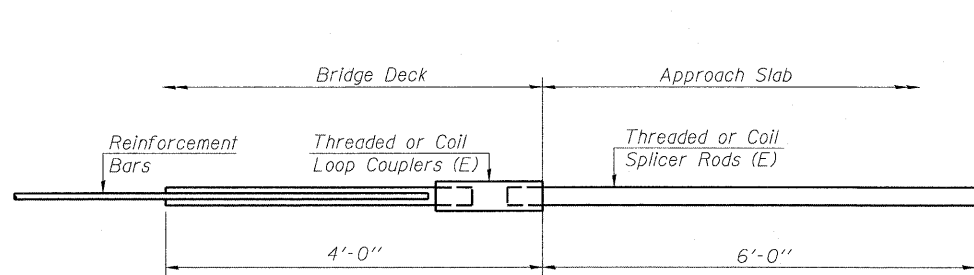


INSTALLATION AND SETTING METHODS

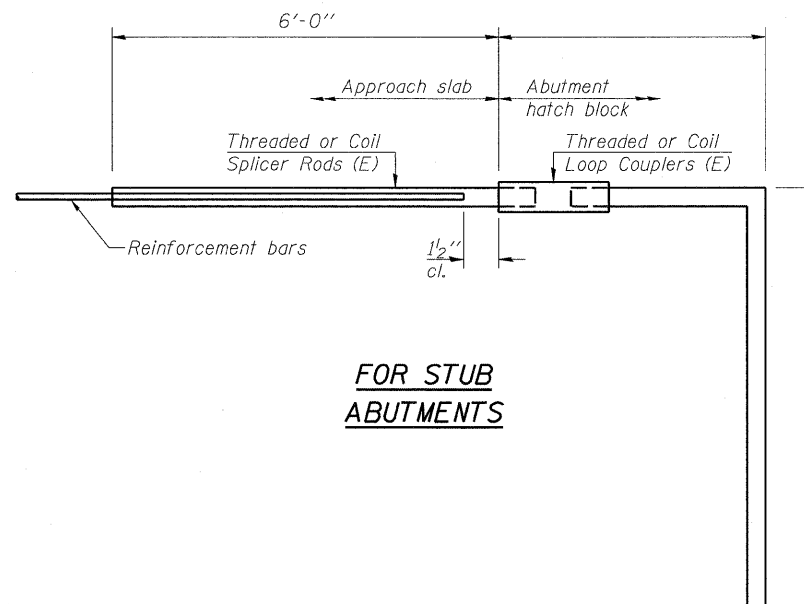
"A" : Set bar splicer assembly by means of a template bolt.
"B" : Set bar splicer assembly by nailing to wood forms or cementing to steel forms.
(E) : Indicates epoxy coating.

BAR SPLICER ASSEMBLY ALTERNATIVES

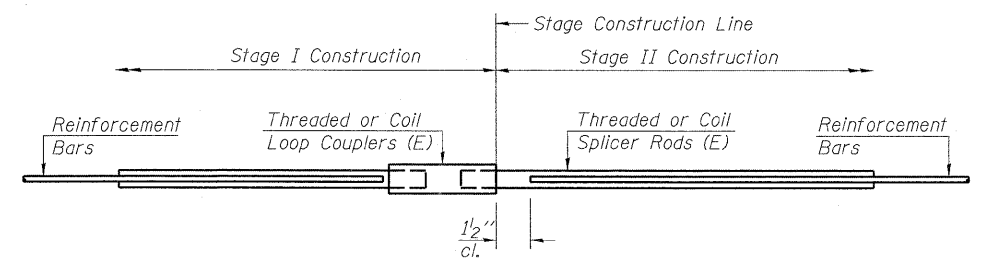
**Heavy Hex Nuts conforming to ASTM A 563, Grade C, D or DH may be used.



FOR INTEGRAL OR SEMI-INTEGRAL ABUTMENTS



FOR STUB ABUTMENTS



STANDARD

Bar Size	No. Assemblies Required	Location

Bar Splicer for #5 bar
Min. Capacity = 23.0 kips - tension
Min. Pull-out Strength = 12.3 kips - tension
No. Required = 62

Bar Splicer for #5 bar
Min. Capacity = 23.0 kips - tension
Min. Pull-out Strength = 12.3 kips - tension
No. Required =

BAR SPLICER ASSEMBLY DETAILS
F.A.S. ROUTE 454
SECTION 04-00070-00-BR
SCHUYLER COUNTY
STATION 4+79.00
S.N. 085-3055



DESIGNED NIEWINSKI
CHECKED TRELLO
DRAWN VERENSKI
CHECKED TRELLO

SHEET NO. 15	F.A.S. RTE. 454	SECTION 04-00070-00-BR	COUNTY SCHUYLER	TOTAL SHEETS 30	SHEET NO. 23
17 SHEETS	CONTRACT NO. 93499			FED. ROAD DIST. NO. ILLINOIS FED. AID PROJECT	