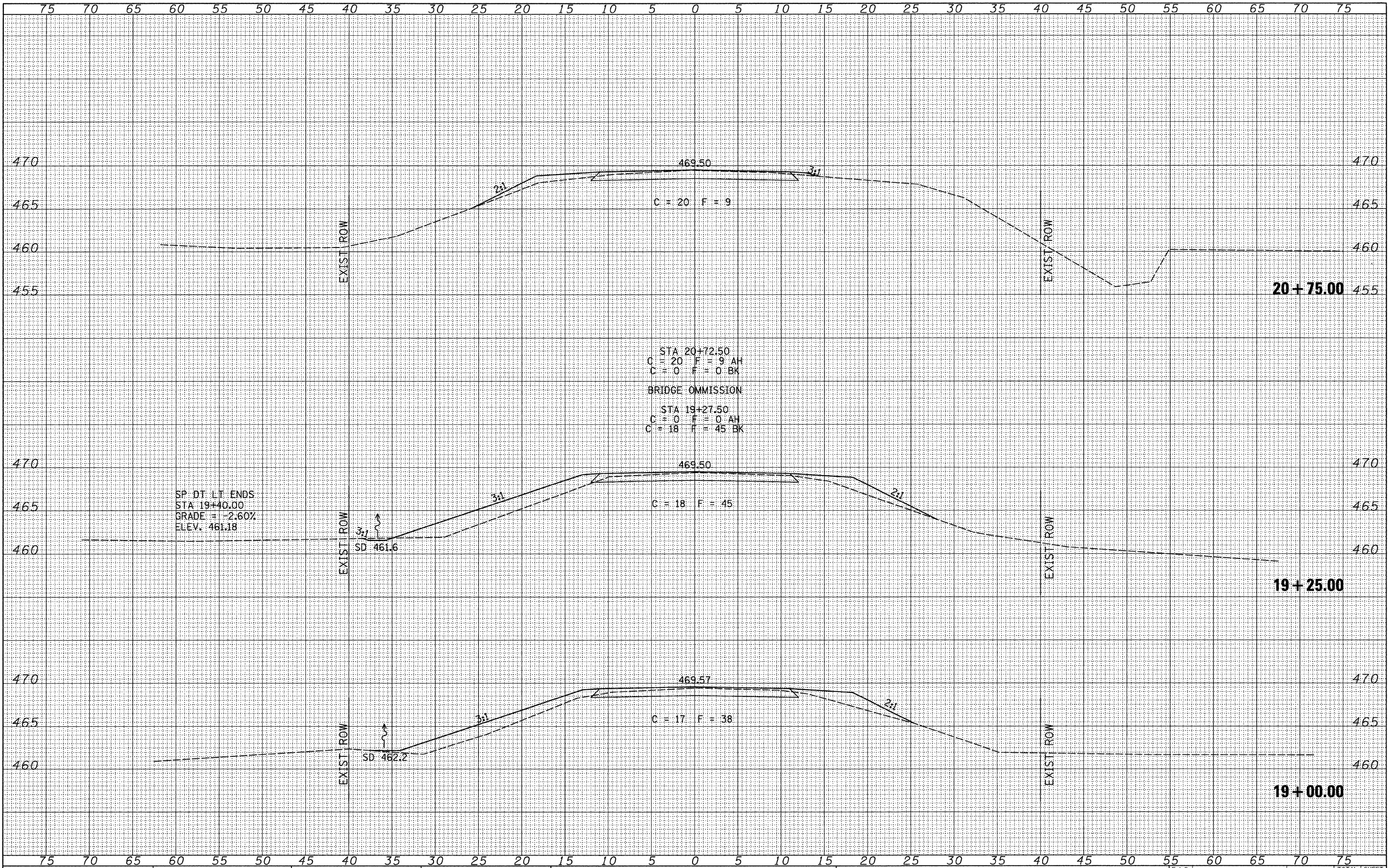


FINAL SURVEY	SURVEYED	DATE
NOTE BOOK	PLOTTED	BY
NO.	TEMPLATE	
	AREAS CHECKED	
	AREAS CHECKED	

ORIGINAL SURVEY	SURVEYED	DATE
NOTE BOOK	PLOTTED	BY
NO.	TEMPLATE	
	AREAS CHECKED	
	AREAS CHECKED	



SP. DT. LT. ENDS
 STA 19+40.00
 GRADE = -2.60%
 ELEV. 461.18

STA 20+72.50
 C = 20 F = 9 AH
 C = 0 F = 0 BK
 BRIDGE OMISSION
 STA 19+27.50
 C = 18 F = 45 BK

FILE NAME =
 V:\Bridges\2618 Mason\2618xshets.dgn

USER NAME = jwhite	DESIGNED -	REVISED -
	DRAWN -	REVISED -
PLOT SCALE = 5.0000' / IN.	CHECKED -	REVISED -
PLOT DATE = 10/5/2009	DATE -	REVISED -

**MASON COUNTY
 COUNTY HIGHWAY 3
 OVER QUIVER CREEK**

CROSS SECTIONS			
SCALE: 1"=5'	SHEET NO. 3 OF 5 SHEETS	STA. 19+00.00 TO STA. 20+75.00	

F.A.S. RTE.	SECTION	COUNTY	TOTAL SHEETS	SHEET NO.
568	07-00032-01-BR	MASON	21	19
				CONTRACT NO. 93505
FED. ROAD DIST. NO. 7 ILLINOIS FED. AID PROJECT BRS-0568102				