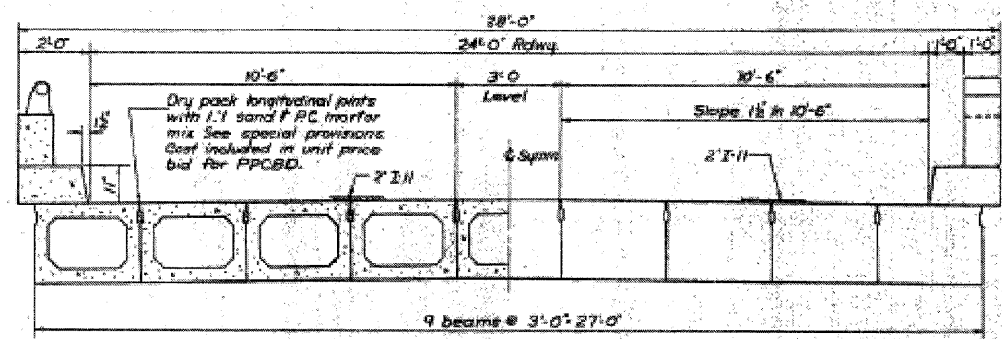


STATE OF ILLINOIS
DEPARTMENT OF TRANSPORTATION

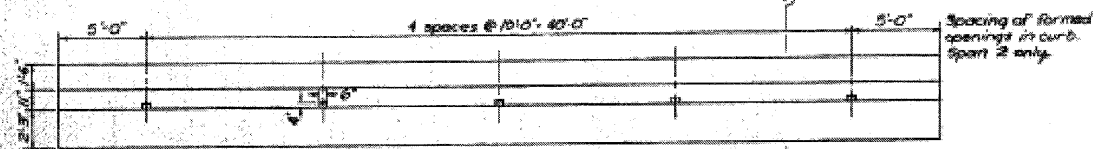
PROJECT NO.	100 B	SANGAMON	19	9
NO. SHEET OF				
				E-100A-100

SHEET 2 OF 4

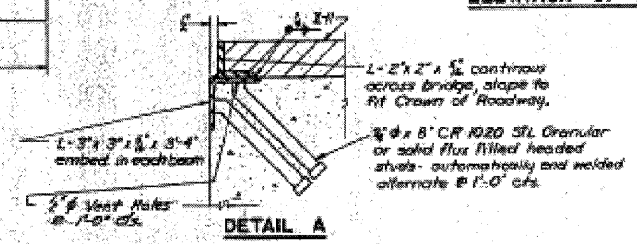


HALF CROSS SECTION

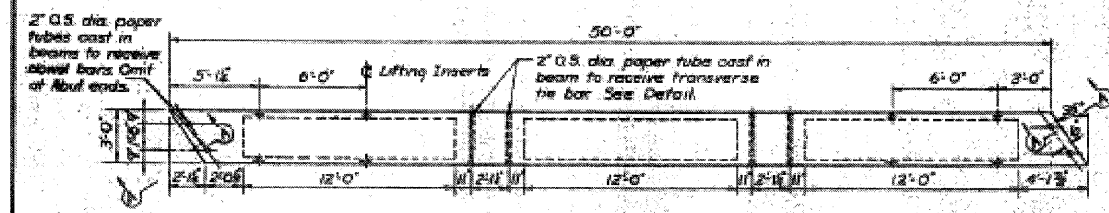
HALF END ELEVATION



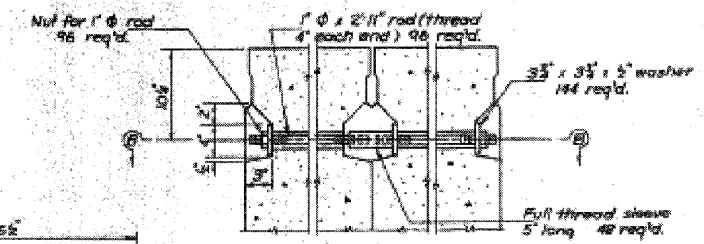
ELEVATION OF OUTSIDE BEAMS



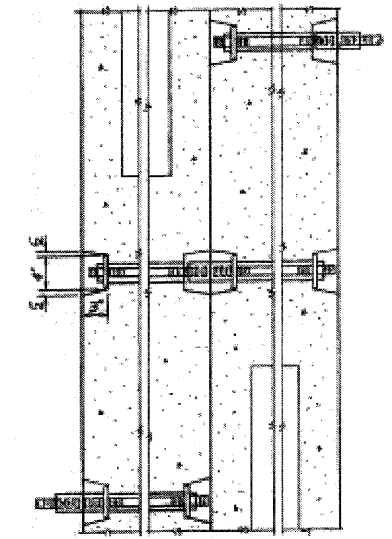
DETAIL A



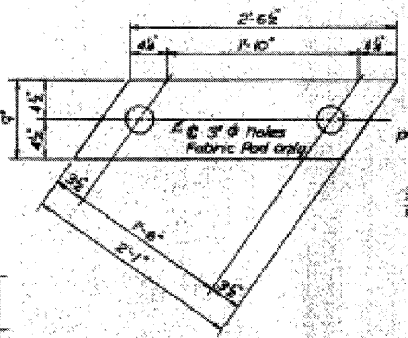
TYPICAL PLAN OF BEAMS



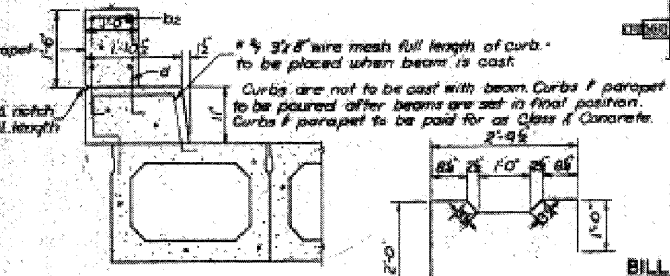
TYPICAL TRANSVERSE TIE ASSEMBLY



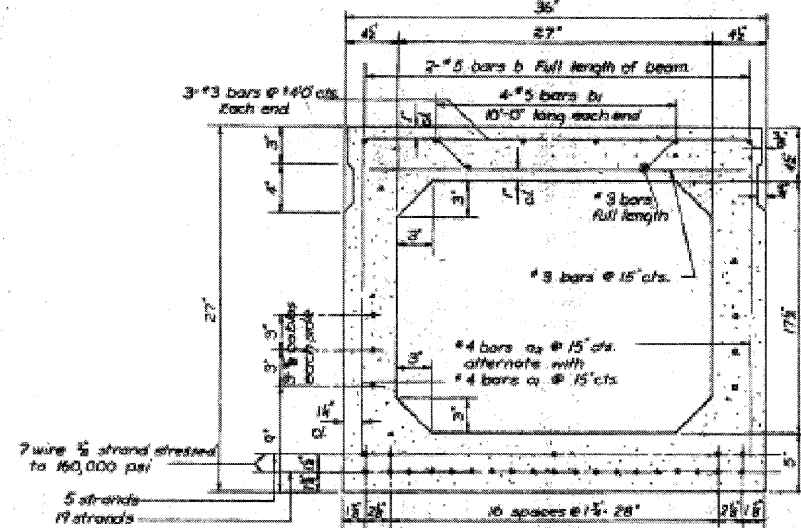
SECTION B-B



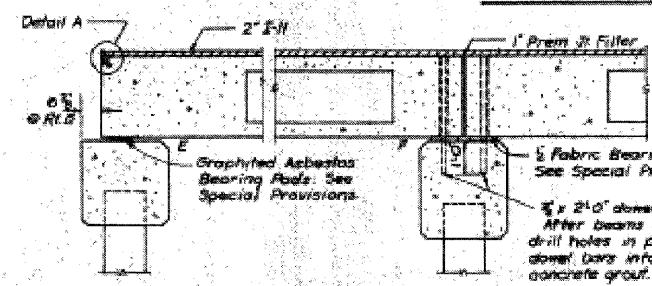
PLAN OF BEARING PADS



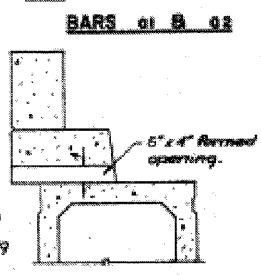
CURB & PARAPET DETAIL



TYPICAL SECTION THRU BEAM



SECTION A-A



SECTION C-C

BILL OF MATERIAL - SUPERSTRUCTURE

Item	Quantity
Precast Prestressed Concrete Bridge Deck	36 FT. 4050
Class I Concrete	Cl. 1500 34.5
Reinforcement Bars	Lbs. 2980
Effluvious Concrete Surface Course Subbase F-11	Tons 44

SUPERSTRUCTURE

F.A.S. RT. 1642 (CH. RT. 28) SEC. 100 B
SANGAMON COUNTY
STATION 144+20

HANSON, COLLINS & RICE
CONSULTING ENGINEERS

DATE: 8-2-61
BY: B-59-10

DESIGNED - CMV
CHECKED - SDS
DRAWN - DLH
CHECKED - CMV

WHKS & CO.
ENGINEERING
7018 KINGSMILL CT.
SPRINGFIELD, IL
(217) 483-9457
DESIGN FIRM #184001036

EXISTING PLANS
PAWNEE ROAD (FAS 1622)
OVER BRUSH CREEK

SHEET NO. 10 12 SHEETS	F.A.S. RTE. 1622	SECTION 07-00100-00-BR	COUNTY SANGAMON	TOTAL SHEETS 16	SHEET NO. 14
	S.N. 084-3037		CONTRACT NO. 93506		
FED. ROAD DIST. NO. - ILLINOIS FED. AID PROJECT					